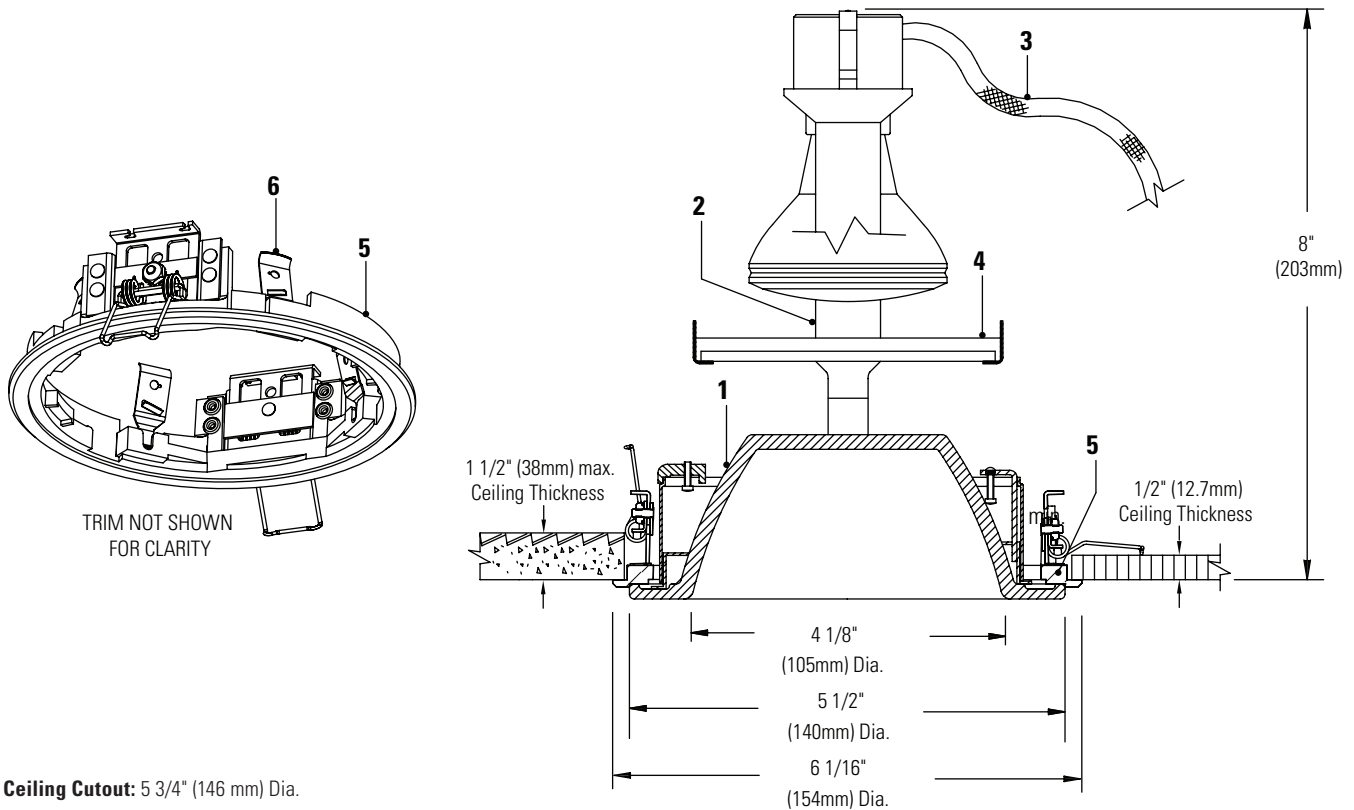


LIGHTOLIER® HID Lensed Downlight C4P20MHGDEXP

Page 1 of 2

4 1/2" Aperture, PAR20 Ceramic Metal Halide, Glasslite, For Export



Ceiling Cutout: 5 3/4" (146 mm) Dia.

Ordering Information

| Reflector Trim | Installation Ring | Gear Harness | Lamp Data |
|---|-------------------|--------------|------------------------|
| C4P20MHGDEXP Etched white interior and flange | C4XRM Matte White | BKMHPU39 | CDM-R PAR20 39W Max |

Features

- Glasslite Trim:** One piece borosilicate etched glass with integral flange, emits a soft, subtle glow. Hinged, and snaps onto lamp-holder assembly for easy tool-less installation.
- Lamp Holder:** Unitized construction assures proper alignment of lamp to optics for consistent optical performance.
- Gear Harness:** Electronic metal halide ballast with lamp socket and wiring harness. ORDER SEPARATELY. See separate specification sheet for details.
- Optional Accessory Holder:** Catalog # CAH4. Sold separately; die-formed steel, matte black finish, slide-in installation. Accepts up to two 3 3/4" dia. media.
- Installation Ring:** Cast aluminum ring is painted and has two 17 ga. stainless steel springs that engage in upright position during installation. One touch snap action secures ring in ceiling cutout. ORDER SEPARATELY. See separate Installation Ring specification sheet for more details.
- Trim Retention Springs:** Rust resistant springs secure reflector/housing for quick, toolless installation (quantity of 4).

Certifications and Ratings



Job Information

Type:

Job Name:

Cat. No.:

Lamp(s):

Notes:

631 Airport Road, Fall River, MA 02720 • (508) 679-8131 • Fax (508) 674-4710
We reserve the right to change details of design, materials and finish.
www.lightolier.com © 2008 Philips Group • A0508

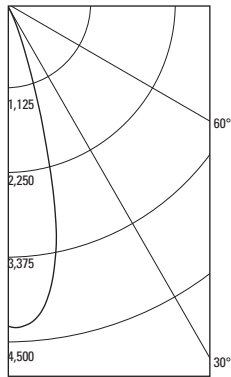
LIGHTOLIER® HID Lensed Downlight C4P20MHGDEXP

Page 2 of 2

4 1/2" Aperture, PAR20 Ceramic Metal Halide, Glasslite, For Export

39W PAR20 FL, CERAMIC MH, PHILIPS, LUMEN RATING = 2000 LMS., AROMAT 39W ELECTRONIC BALLAST

CANDLEPOWER DISTRIBUTION



| ANGLE | MEAN CP | LUMENS |
|-------|---------|--------|
| 0 | 4280 | |
| 5 | 4233 | 391 |
| 10 | 3642 | |
| 15 | 2241 | 639 |
| 20 | 897 | |
| 25 | 335 | 194 |
| 30 | 106 | |
| 35 | 37 | 31 |
| 40 | 19 | |
| 45 | 13 | 11 |
| 50 | 11 | |
| 55 | 9 | 8 |
| 60 | 6 | |
| 65 | 3 | 4 |
| 70 | 2 | |
| 75 | 0 | 1 |
| 80 | 0 | |
| 85 | 0 | 0 |
| 90 | 0 | |

LUMINANCE SUMMARY CD. / SQ. M.

| ANGLE | MEAN CD/SQ.M |
|-------|--------------|
| 45 | 1866 |
| 55 | 1598 |
| 65 | 795 |
| 75 | 118 |
| 85 | 0 |

Coefficients of Utilization

| CEILING | 80% | | | | 70% | | 50% | | 30% | | 0 |
|---------|--|-----|-----|-----|-----|-----|-----|-----|-----|-----|-----|
| | 70 | 50 | 30 | 10 | 50 | 10 | 50 | 10 | 50 | 10 | |
| WALL | Zonal Cavity Method - Effective Floor Cavity Reflectance = 20% | | | | | | | | | | |
| RCR | Zonal Cavity Method - Effective Floor Cavity Reflectance = 20% | | | | | | | | | | |
| 0 | .76 | .76 | .76 | .76 | .74 | .74 | .71 | .71 | .68 | .68 | .64 |
| 1 | .74 | .73 | .72 | .71 | .72 | .70 | .69 | .68 | .67 | .66 | .63 |
| 2 | .72 | .70 | .69 | .67 | .69 | .66 | .67 | .65 | .65 | .64 | .61 |
| 3 | .70 | .68 | .66 | .64 | .67 | .64 | .66 | .63 | .64 | .62 | .61 |
| 4 | .69 | .66 | .64 | .62 | .65 | .62 | .64 | .61 | .63 | .61 | .59 |
| 5 | .67 | .64 | .62 | .60 | .64 | .60 | .62 | .60 | .62 | .59 | .58 |
| 6 | .66 | .63 | .60 | .59 | .62 | .59 | .61 | .58 | .61 | .58 | .57 |
| 7 | .64 | .61 | .59 | .57 | .61 | .57 | .60 | .57 | .59 | .57 | .56 |
| 8 | .63 | .60 | .58 | .56 | .59 | .56 | .59 | .56 | .58 | .55 | .55 |
| 9 | .62 | .58 | .56 | .55 | .58 | .55 | .58 | .55 | .57 | .54 | .54 |
| 10 | .61 | .57 | .55 | .54 | .57 | .54 | .57 | .54 | .56 | .53 | .53 |

| ZONAL LUMENS AND PERCENTAGES | | | |
|------------------------------|--------|--------|-------------|
| ZONE | LUMENS | % LAMP | % LUMINAIRE |
| 0-30 | 1224 | 61.2 | 95.73 |
| 0-40 | 1255 | 62.77 | 98.18 |
| 0-60 | 1274 | 63.72 | 99.66 |
| 0-90 | 1278 | 63.93 | 100.00 |
| 40-90 | 23 | 1.16 | 1.82 |
| 60-90 | 4 | 0.21 | .34 |
| 90-180 | 0 | 0 | .00 |
| 0-180 | 1278 | 63.93 | 100.00 |

LUMINAIRE INPUT WATTS = 44.0

** EFFICIENCY = 63.9% **
SC = 0.5

CERTIFIED TEST REPORT NO. 2434FR, DATE: MAR 11, 2004
COMPUTED BY LSC PROGRAM **TEST-LITE**

Job Information **Type:**

631 Airport Road, Fall River, MA 02720 • (508) 679-8131 • Fax (508) 674-4710
We reserve the right to change details of design, materials and finish.
www.lightolier.com © 2008 Philips Group • A0508