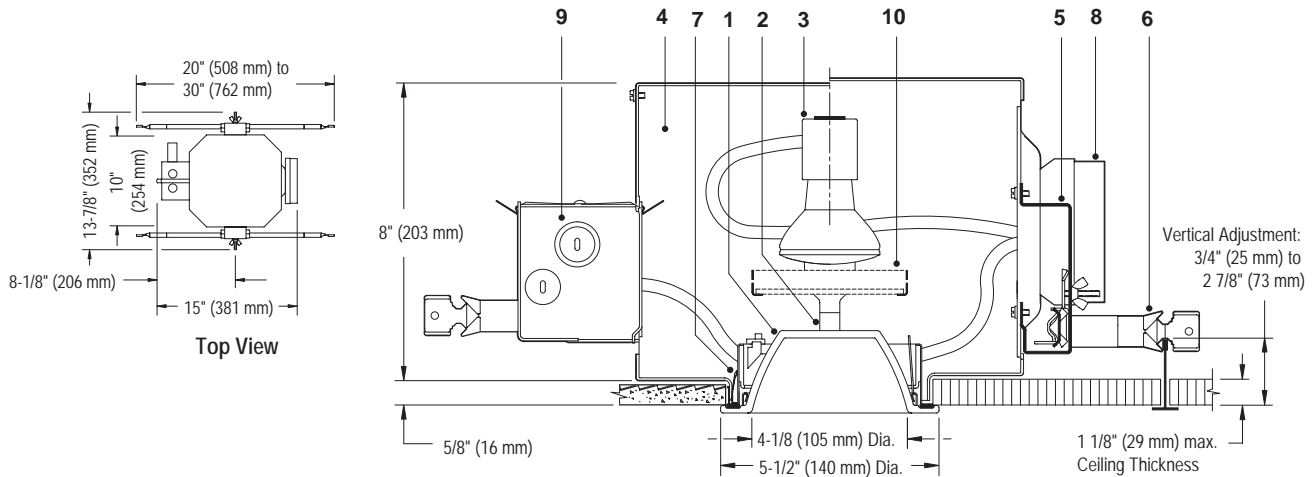




Calculite® HID Lensed Downlight C4P20MHGD



Ceiling Cutout: 5 1/8" (130 mm) Dia.

Glasslite Trim		Frame-In Kit	Lamp		
C4P20MHGD	Etched glass with matching flange.	C4A39P20E1	Electronic 120V	39W PAR20	Ceramic MH
		C4A39P20E2	Electronic 277V	39W PAR20	Ceramic MH

Features

- Glasslite Trim:** One piece borosilicate etched glass with integral flange, emits a soft, subtle glow. Hinged, and snaps onto lamp-holder assembly for easy tool-less installation.
- Lamp Holder:** Unitized construction assures proper alignment of lamp to optics for consistent optical performance.
- Socket:** Medium base porcelain pulse rated socket with nickel plated screwshell.
- Frame Housing:** Steel, 0.029" (22-Ga.), matte black finish, includes pre-installed mounting bars.
- Frame Vertical Adjustment Mechanism:** Accommodates mounting to virtually any ceiling system using pre-installed mounting bars, or 1/2" EMT tubing (by others). Single locking feature secures all adjustments. Alignment holes and markings allow fixture to be pre-set prior to installation. Final adjustment can be made from below from inside fixture.
- Mounting Bars:** Galvanized steel, 0.048" (18-ga.), pre-installed telescoping bars extend to 30" long and lock securely into position. Built-in locking tabs provide positive attachment to common T-bar systems. Self-centering feature simplifies installation in 24" O.C. grid systems. Attaches to steel or wood joists without accessories.
- Retention Springs:** Rust resistant springs secure trim for quick, tool-less installation.
- Ballast / Cover Assembly:** Accessible from below and removable without tools for inspection and ballast replacement.
- Junction Box:** 0.059" (16-ga.) galvanized steel. UL listed for 8 No. 12 AWG, 90°C through branch circuit conductors. Allows inspection from below.
- Optional Accessory Holder:** Catalog # CAH4 Sold separately; die-formed steel, matte black finish, slide-in installation. Accepts up to two 3 3/4" dia. media.
- Thermal Protector:** (Not Shown) Meets NEC and UL requirements. Do not install insulation above nor within 3" (76mm) of any part of the luminaire.

Electrical

Electronic Ballast: 120V or 277V, 50/60 Hz. enclosed, high power factor, T.H.D. <15%, thermally and transient protected, RMI/RFI complies with FCC part 18 non-consumer limits, shut-down circuit at end of lamp life, sound rating "A", -5° F minimum starting temperature, Type 1 Outdoor rating.

Ballast	ANSI Code	Voltage	Max. Amps	Input Watts
39W MH	M130	120/277	0.39/0.17	44

Options and Accessories

Chicago Plenum: Consult Factory.

Labels

UL (Suitable for Wet Locations), I.B.E.W.

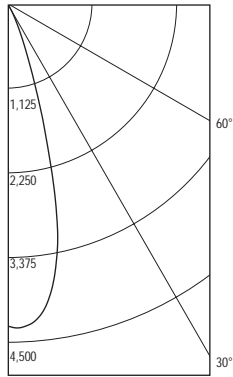
Job Information	Type:
Job Name:	
Cat. No.:	
Lamp(s):	
Notes:	



Calculite® HID Lensed Downlight C4P20MHGD

39W PAR20 FL, CERAMIC MH, PHILIPS, LUMEN RATING = 2000 LMS., AROMAT 39W ELECTRONIC BALLAST

CANDLEPOWER DISTRIBUTION



ANGLE	MEAN CP	LUMENS
0	4280	
5	4233	391
10	3642	
15	2241	639
20	897	
25	335	194
30	106	
35	37	31
40	19	
45	13	11
50	11	
55	9	8
60	6	
65	3	4
70	2	
75	0	1
80	0	
85	0	0
90	0	

LUMINANCE SUMMARY CD. / SQ. M.

ANGLE	MEAN CD/SQ M
45	1866
55	1598
65	795
75	118
85	0

Coefficients of Utilization

CEILING	80%		70%		50%		30%		0		
	70	50	30	10	50	10	50	10			
WALL	Zonal Cavity Method - Effective Floor Cavity Reflectance = 20%										
RCR											
0	.76	.76	.76	.76	.74	.74	.71	.71	.68	.68	.64
1	.74	.73	.72	.71	.72	.70	.69	.68	.67	.66	.63
2	.72	.70	.69	.67	.69	.66	.67	.65	.65	.64	.61
3	.70	.68	.66	.64	.67	.64	.66	.63	.64	.62	.61
4	.69	.66	.64	.62	.65	.62	.64	.61	.63	.61	.59
5	.67	.64	.62	.60	.64	.60	.62	.60	.62	.59	.58
6	.66	.63	.60	.59	.62	.59	.61	.58	.61	.58	.57
7	.64	.61	.59	.57	.61	.57	.60	.57	.59	.57	.56
8	.63	.60	.58	.56	.59	.56	.59	.56	.58	.55	.55
9	.62	.58	.56	.55	.58	.55	.58	.55	.57	.54	.54
10	.61	.57	.55	.54	.57	.54	.57	.54	.56	.53	.53

ZONAL LUMENS AND PERCENTAGES			
ZONE	LUMENS	% LAMP	% LUMINAIRE
0-30	1224	61.2	95.73
0-40	1255	62.77	98.18
0-60	1274	63.72	99.66
0-90	1278	63.93	100.00
40-90	23	1.16	1.82
60-90	4	0.21	.34
90-180	0	0	.00
0-180	1278	63.93	100.00

LUMINAIRE INPUT WATTS = 44.0

** EFFICIENCY = 63.9% **
SC = 0.5

CERTIFIED TEST REPORT NO. 2434FR, DATE: MAR 11, 2004
COMPUTED BY LSC PROGRAM **TEST-LITE**

LIGHTOLIER®

Job Information Type: