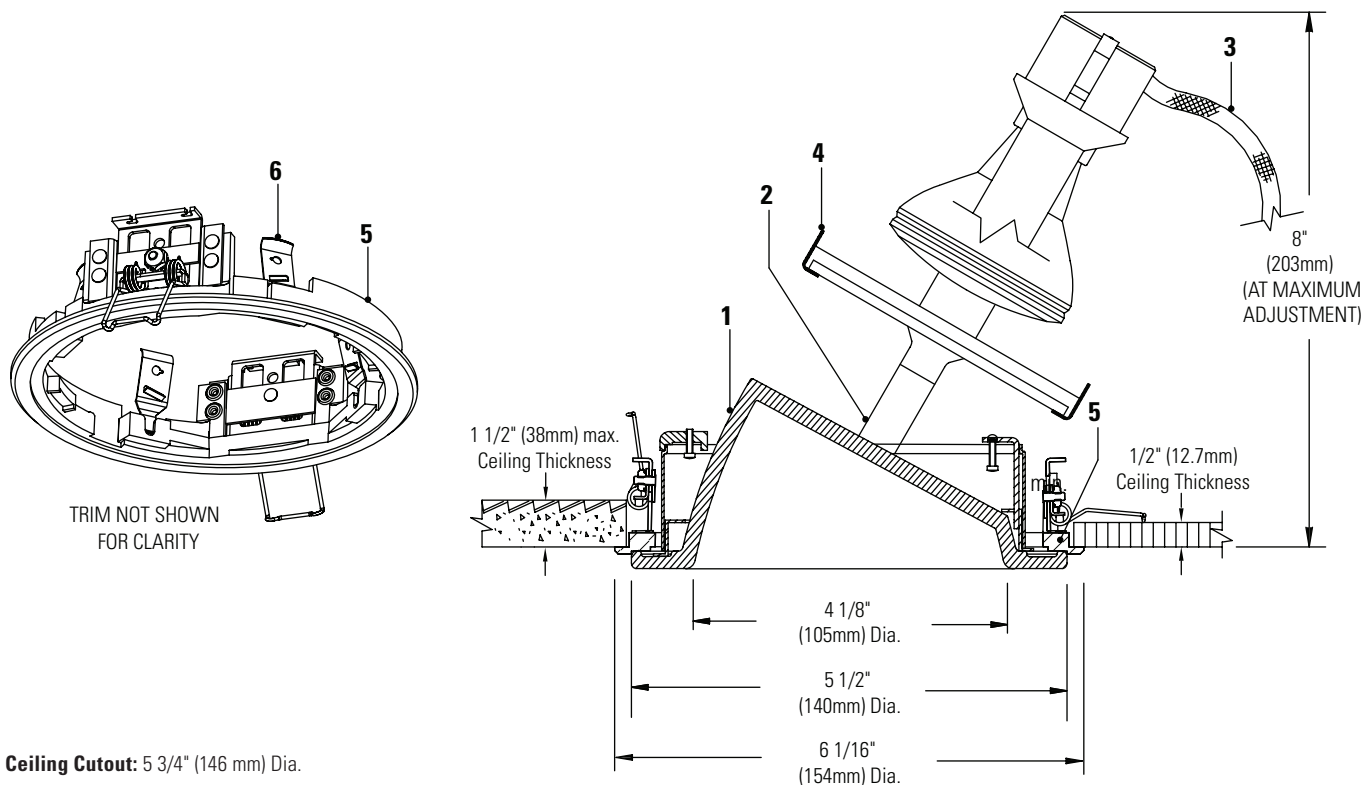


LIGHTOLIER® Calculite® HID Adjustable C4P20MHGAEXP

Page 1 of 2

4 1/2" Aperture, PAR20 Ceramic Metal Halide, Glasslite, For Export



Ceiling Cutout: 5 3/4" (146 mm) Dia.

Ordering Information

Reflector Trim	Installation Ring	Gear Harness	Lamp Data
C4P20MHGAEXP Etched white interior and flange	C4XRM Matte White	BKMHPU39	CDM-R PAR20 39W Max

Features

- Glasslite Trim:** One piece borosilicate glass with integral flange, etched interior and white ceramic coated exterior. Etched white cone finish emits a subtle glow. Hinged, and snaps onto lamp-holder assembly for easy toolless installation.
- Lamp Holder / Trim Adjustment Assembly:** Unitized optics insure alignment of lamp and aperture cone regardless of ceiling thickness. Provides 35° vertical tilt, 360°+ horizontal rotation; lockable. EZ-Aim Helical Drive System provides fast and accurate hot aiming with Philips screwdriver.
- Gear Harness:** Electronic metal halide ballast with lamp socket and wiring harness. ORDER SEPARATELY. See separate specification sheet for details.
- Optional Accessory Holder:** Catalog # CAH4. Sold separately; die-formed steel, matte black finish, slide-in installation. Accepts up to two 3 3/4" dia. media.
- Installation Ring:** Cast aluminum ring is painted and has two 17 ga. stainless steel springs that engage in upright position during installation. One touch snap action secures ring in ceiling cutout. ORDER SEPARATELY. See separate Installation Ring specification sheet for more details.
- Trim Retention Springs:** Rust resistant springs secure reflector/housing for quick, toolless installation (quantity of 4).

Certifications and Ratings

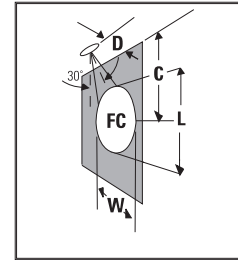
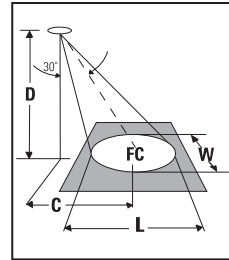


Job Information	Type:
Job Name:	
Cat. No.:	
Lamp(s):	
Notes:	

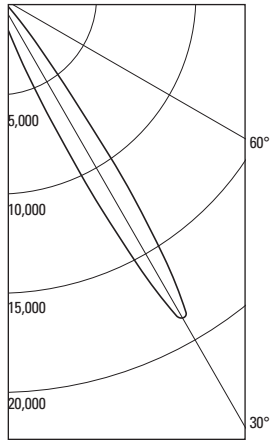
631 Airport Road, Fall River, MA 02720 • (508) 679-8131 • Fax (508) 674-4710
We reserve the right to change details of design, materials and finish.
www.lightolier.com © 2011 Philips Group • B0711

LIGHTOLIER® Calculite® HID Adjustable C4P20MHGAEXP

(FC) is initial footcandles at center of beam. Beam length (L) and beam width (W) are to where the candlepower is reduced to 50% of the center beam candlepower. (C) is the distance to the center of the beam.



CANDLEPOWER DISTRIBUTION



ANGLE	WALL
0	154
5	394
10	517
15	1257
20	3363
25	9900
30	18741
35	9809
40	2691
45	716
50	86
55	27
60	21
65	13
70	8
75	8
80	0
85	0
90	0

39W PAR20 CERAMIC MH-SPOT

AIMED 30°. TOWARD WALL

LAMP: 39W PAR20 SP, CERAMIC MH, PHILIPS
 LUMEN RATING: 2000 LMS.
 CBCP: 18741
 Beam Angle: 11

AROMAT 39W ELECTRONIC BALLAST
 DATE: MAR 11, 2004
 CERTIFIED TEST REPORT NO. 2537FR

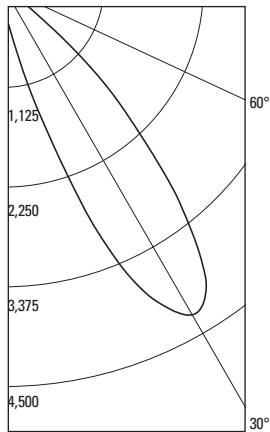
COMPUTED BY LSI PROGRAM
 TEST-LITE

**30° Aiming Angle
Horizontal Surface**

D	C	FC	L	W
6'	3.5'	338	1.5'	1.3'
8'	4.6'	190	2.1'	1.8'
10'	5.8'	122	2.6'	2.2'
12'	6.9'	85	3.1'	2.7'
15'	8.7'	54	3.9'	3.3'

**30° Aiming Angle
Vertical Surface**

D	C	FC	L	W
2'	3.5'	586	1.6'	0.8'
3'	5.2'	260	2.4'	1.2'
4'	6.9'	146	3.2'	1.5'
6'	10.4'	65	4.8'	2.3'
8'	13.9'	37	6.3'	3.1'



ANGLE	WALL
0	165
5	327
10	593
15	1322
20	2647
25	3809
30	4260
35	3960
40	2979
45	1845
50	720
55	117
60	37
65	27
70	24
75	19
80	12
85	5
90	0

39W PAR20 CERAMIC MH-FLOOD

AIMED 30°. TOWARD WALL

LAMP: 39W PAR20 FL, CERAMIC MH, PHILIPS
 LUMEN RATING: 2000 LMS.

CBCP: 4260
 Beam Angle: 27
 AROMAT 39W ELECTRONIC BALLAST

DATE: MAR 11, 2004
 CERTIFIED TEST REPORT NO. 2536FR

COMPUTED BY LSI PROGRAM
 TEST-LITE

**30° Aiming Angle
Horizontal Surface**

D	C	FC	L	W
8'	4.6'	43	5.2'	4.4'
10'	5.8'	28	6.5'	5.5'
12'	6.9'	19	7.8'	6.7'
15'	8.7'	12	9.8'	8.3'
20'	11.5'	7	13.1'	11.1'

**30° Aiming Angle
Vertical Surface**

D	C	FC	L	W
3'	5.2'	59	7.0'	2.9'
4'	6.9'	33	9.3'	3.8'
6'	10.4'	15	13.9'	5.8'
8'	13.9'	8	18.6'	7.7'
12'	20.8'	4	27.9'	11.5'

Job Information Type:

631 Airport Road, Fall River, MA 02720 • (508) 679-8131 • Fax (508) 674-4710
 We reserve the right to change details of design, materials and finish.
 www.lightolier.com © 2011 Philips Group • B0711