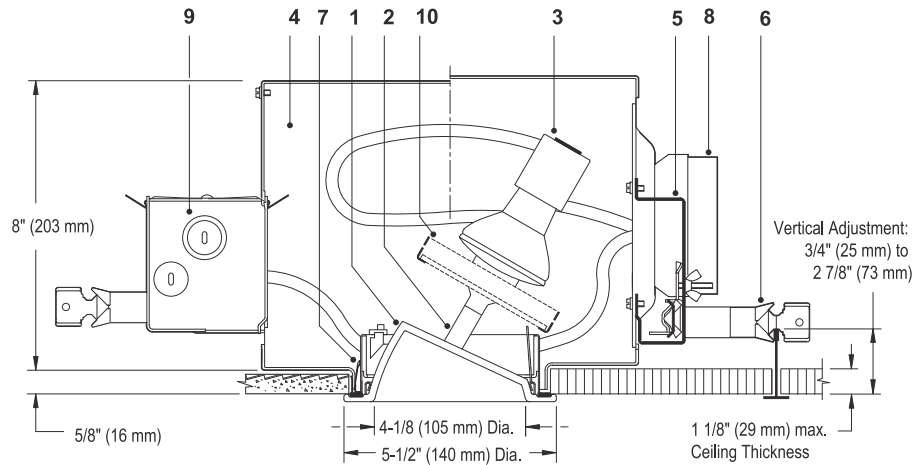
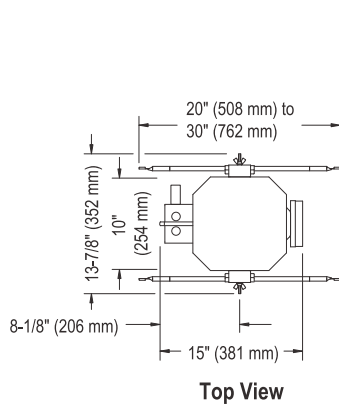




# Calculite® HID Adjustable Accent **C4P20MHGA**



**Ceiling Cutout:** 5 1/8" (130mm) Dia.

Glasslite Trim	Frame-In Kit	Lamp
<b>C4P20MHGA</b> Etched glass with matching flange.	<b>C4A39P20E1</b> Electronic 120V	39W PAR20 Ceramic MH
	<b>C4A39P20E2</b> Electronic 277V	39W PAR20 Ceramic MH

## Features

- Glasslite Trim:** One piece borosilicate glass with integral flange, etched interior and white ceramic coated exterior. Etched white cone finish emits a subtle glow. Hinged, and snaps onto lamp-holder assembly for easy tool-less installation.
- Lamp Holder / Trim Adjustment Assembly:** Unitized optics insure alignment of lamp and aperture cone regardless of ceiling thickness. Provides 35° vertical tilt, 360°+ horizontal rotation; lockable. EZ-Aim Helical Drive System provides fast and accurate hot aiming with Philips screwdriver.
- Socket:** Medium base porcelain pulse rated socket with nickel plated screwshell. Unitized construction assures proper alignment of lamp to optics for consistent optical performance.
- Frame Housing:** Steel, 0.029" (22-Ga.), matte black finish.
- Frame Vertical Adjustment Mechanism:** Accommodates mounting to virtually any ceiling system using pre-installed mounting bars, or 1/2" EMT tubing (by others). Single locking feature secures all adjustments. Alignment holes and markings allow fixture to be pre-set prior to installation. Final adjustment can be made from below from inside fixture.
- Mounting Bars:** Galvanized steel, 0.048" (18-ga.), pre-installed telescoping bars extend to 30" long and lock securely into position. Built-in locking tabs provide positive attachment to common T-bar systems. Self-centering feature simplifies installation in 24" O.C. grid systems. Attaches to steel or wood joists without accessories.
- Retention Springs:** Rust resistant springs secure trim for quick, tool-less installation.
- Ballast / Cover Assembly:** Accessible from below and removable without tools for inspection and ballast replacement.
- Junction Box:** 0.059" (16-ga.) galvanized steel. UL listed for 8 No. 12 AWG, 90°C through branch circuit conductors. Allows inspection from below.
- Optional Accessory Holder:** Catalog # CAH4. Sold separately; die-formed steel, matte black finish, slide-in installation. Accepts up to two 3 3/4" dia. media.
- Thermal Protector:** (Not Shown) Meets NEC and UL requirements. Do not install insulation above nor within 3" (76mm) of any part of the luminaire.

## Electrical

**Electronic Ballast:** 120V or 277V, 50/60 Hz. encased, high power factor, T.H.D. <15%, thermally and transient protected, RMI/RFI complies with FCC part 18 non-consumer limits, shut-down circuit at end of lamp life, sound rating "A", -5° F minimum starting temperature, Type 1 Outdoor rating.

Ballast	ANSI Code	Voltage	Max. Amps	Input Watts
39W MH	M130	120/277	0.39/0.17	44

## Options and Accessories

**CAH4:** Accessory holder accepts up to two 3 3/4" dia. media.

**Chicago Plenum:** Consult Factory.

## Labels

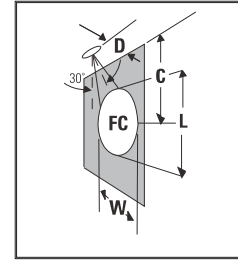
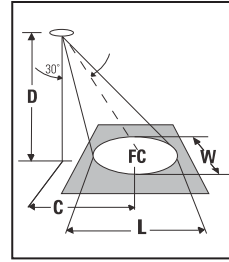
UL (suitable for wet locations), I.B.E.W.

Job Information	Type:
<b>Job Name:</b>	
<b>Cat. No.:</b>	
<b>Lamp(s):</b>	
<b>Notes:</b>	

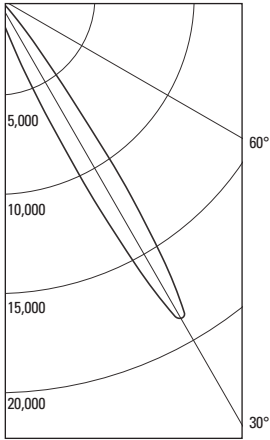
**LIGHTOLIER®**



(FC) is initial footcandles at center of beam. Beam length (L) and beam width (W) are to where the candlepower is reduced to 50% of the center beam candlepower. (C) is the distance to the center of the beam.



CANDLEPOWER DISTRIBUTION



ANGLE	WALL
0	154
5	394
10	517
15	1257
20	3363
25	9900
30	18741
35	9809
40	2691
45	716
50	86
55	27
60	21
65	13
70	8
75	8
80	0
85	0
90	0

**39W PAR20 CERAMIC MH-SPOT**

AIMED 30°. TOWARD WALL

LAMP: 39W PAR20 SP, CERAMIC MH, PHILIPS  
LUMEN RATING: 2000 LMS.

CBCP: 18741  
Beam Angle: 11  
AROMAT 39W ELECTRONIC BALLAST

DATE: MAR 11, 2004  
CERTIFIED TEST REPORT NO. 2537FR

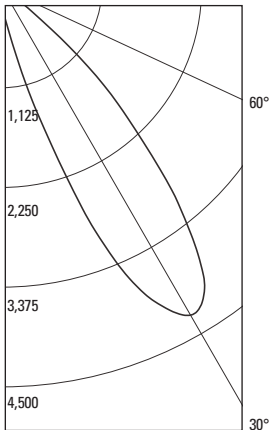
COMPUTED BY LSI PROGRAM  
\*\*TEST-LITE\*\*

**30° Aiming Angle  
Horizontal Surface**

D	C	FC	L	W
6'	3.5'	338	1.5'	1.3'
8'	4.6'	190	2.1'	1.8'
10'	5.8'	122	2.6'	2.2'
12'	6.9'	85	3.1'	2.7'
15'	8.7'	54	3.9'	3.3'

**30° Aiming Angle  
Vertical Surface**

D	C	FC	L	W
2'	3.5'	586	1.6'	0.8'
3'	5.2'	260	2.4'	1.2'
4'	6.9'	146	3.2'	1.5'
6'	10.4'	65	4.8'	2.3'
8'	13.9'	37	6.3'	3.1'



ANGLE	WALL
0	165
5	327
10	593
15	1322
20	2647
25	3809
30	4260
35	3960
40	2979
45	1845
50	720
55	117
60	37
65	27
70	24
75	19
80	12
85	5
90	0

**39W PAR20 CERAMIC MH-FLOOD**

AIMED 30°. TOWARD WALL

LAMP: 39W PAR20 FL, CERAMIC MH, PHILIPS  
LUMEN RATING: 2000 LMS.

CBCP: 4260  
Beam Angle: 27  
AROMAT 39W ELECTRONIC BALLAST

DATE: MAR 11, 2004  
CERTIFIED TEST REPORT NO. 2536FR

COMPUTED BY LSI PROGRAM  
\*\*TEST-LITE\*\*

**30° Aiming Angle  
Horizontal Surface**

D	C	FC	L	W
8'	4.6'	43	5.2'	4.4'
10'	5.8'	28	6.5'	5.5'
12'	6.9'	19	7.8'	6.7'
15'	8.7'	12	9.8'	8.3'
20'	11.5'	7	13.1'	11.1'

**30° Aiming Angle  
Vertical Surface**

D	C	FC	L	W
3'	5.2'	59	7.0'	2.9'
4'	6.9'	33	9.3'	3.8'
6'	10.4'	15	13.9'	5.8'
8'	13.9'	8	18.6'	7.7'
12'	20.8'	4	27.9'	11.5'

**Job Information**

**Type:**

Lightolier a Genlyte Thomas Company [www.lightolier.com](http://www.lightolier.com)  
631 Airport Road, Fall River, MA 02720 • (508) 679-8131 • Fax (508) 674-4710  
We reserve the right to change details of design, materials and finish.  
© 2011 Genlyte Thomas Group LLC (Lightolier Division) • B0711

**LIGHTOLIER®**