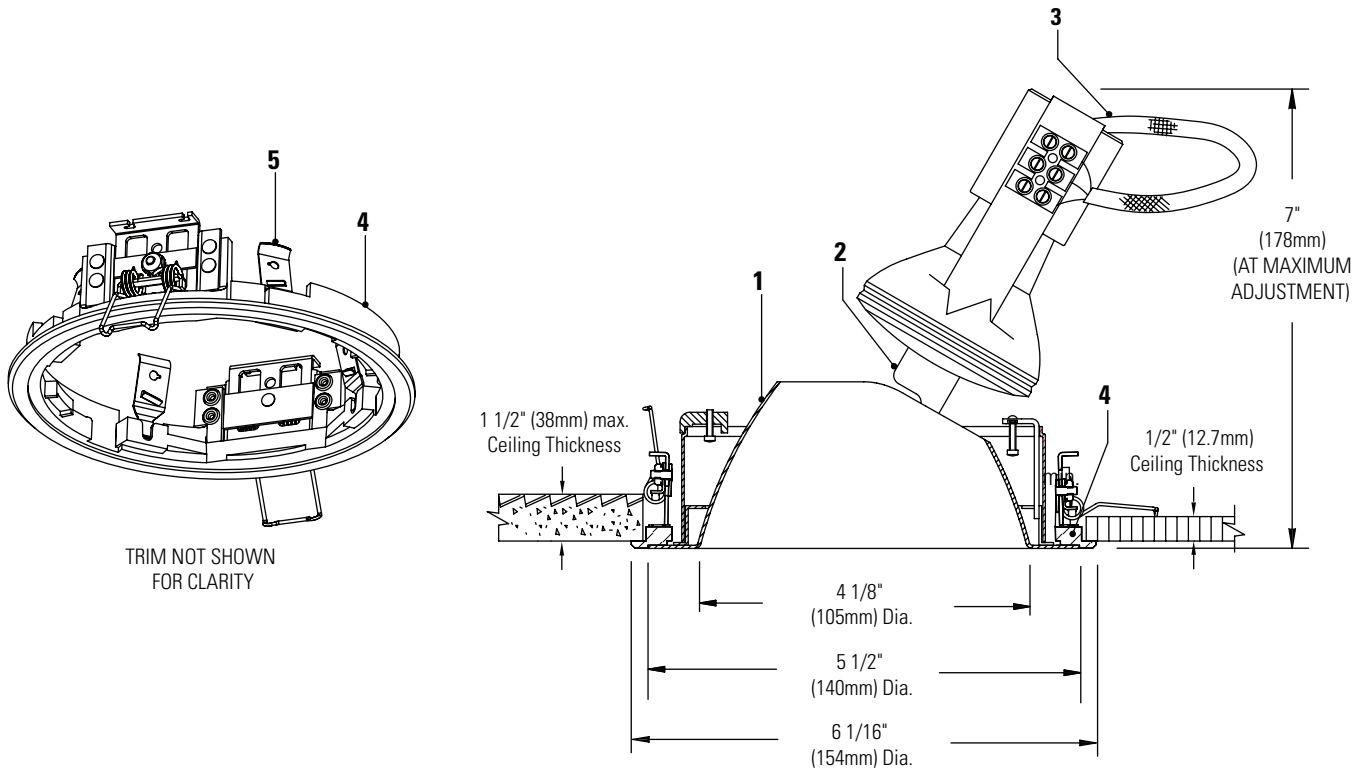


LIGHTOLIER® Calculite® Incandescent Adjustable **C4P20AEXP**

Page 1 of 2

4 1/2" Aperture PAR20 / PAR16 Reflector Trim, For Export



Ceiling Cutout: 5 3/4" (146 mm) Dia.

Ordering Information

| Reflector Trim | Installation Ring | Lamp Data |
|---|-------------------------|--|
| C4P20ACCDPEXP Comfort Clear Diffuse, Polished Flange | C4XR Matte White | 50W PAR20 Halogen E27 75W PAR16 Halogen E27 |

Features

- Aperture Cone:** 16 ga. Alzak® aluminum. Slot cut cone opening minimizes view into fixture. Keyed to lampholder assembly for true aiming of lamp through aperture center and to prevent incorrect installation of cone. Hinged, and snaps onto adjustable lampholder for easy toolless installation. Interchangeable with other Evolution 4 1/2" line voltage trims.
- Lampholder Assembly:** Provides 35° vertical tilt, 360° horizontal rotation; lockable. Can be relamped without disturbing aiming. Matte black finish.
- Socket Harness:** Contains E27 medium base porcelain socket with nickel-plated screw shell wired with No. 18 (1.0 mm²) SF-1 leads to terminal block for 3 No. 18 (1.0 mm²) supply leads (line, neutral and ground).
- Installation Ring:** Cast aluminum ring is painted and has two 17 ga. stainless steel springs that engage in upright position during installation. One touch snap action secures ring in ceiling cutout. ORDER SEPARATELY. See separate Installation Ring specification sheet for more details.
- Trim Retention Springs:** Rust resistant springs secure reflector/housing for quick, toolless installation (quantity of 4).
- Vertical /Horizontal Locking (not shown):** Single screw adjustment; independent locking system.

Certifications and Ratings



Job Information

Type:

Job Name:

Cat. No.:

Lamp(s):

Notes:

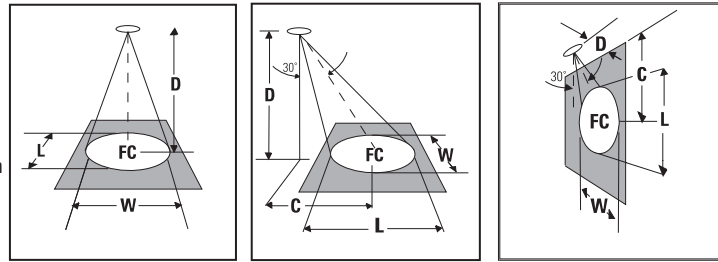
631 Airport Road, Fall River, MA 02720 • (508) 679-8131 • Fax (508) 674-4710
We reserve the right to change details of design, materials and finish.
www.lightolier.com © 2008 Philips Group • A0508

Accent Lighting Performance Data

(FC) is initial footcandles at center of beam. Beam length (L) and beam width (W) are to where the candlepower is reduced to 50% of the center beam candlepower.

CBCP is center beam candlepower. (C) is distance to the center of the beam.

Lamp data shown is typical, and is based on bare lamp photometrics. Contact lamp manufacturers for availability and performance.



0° Aiming Angle

30° Aiming Angle

30° Aiming Angle

| Lamps | Beam Spread (To 50% CBCP) | CBCP | Rated Life (Hrs.) | 0° Aiming Angle | | | | 30° Aiming Angle | | | | 30° Aiming Angle | | | | | |
|---|------------------------------|------|----------------------|-----------------|------|------|------|------------------|------|------|------|------------------|------|------|-----|-------|------|
| | | | | D | FC | L | W | D | C | FC | L | W | D | C | FC | L | W |
| PAR16 Halogen Line Voltage Lamps | | | | | | | | | | | | | | | | | |
| 60W PAR16 NSP | 10° | 5000 | 2000 | 6' | 139 | 1.0' | 1.0' | 5' | 2.9' | 130 | 1.2' | 1.0' | 2' | 3.5' | 156 | 1.4' | 0.7' |
| | | | | 8' | 78 | 1.4' | 1.4' | 7' | 4.0' | 66 | 1.6' | 1.4' | 3' | 5.2' | 69 | 2.1' | 1.0' |
| | | | | 10' | 50 | 1.7' | 1.7' | 9' | 5.2' | 40 | 2.1' | 1.8' | 4' | 6.9' | 39 | 2.9' | 1.4' |
| | | | | 12' | 35 | 2.1' | 2.1' | 11' | 6.4' | 27 | 2.6' | 2.2' | 5' | 8.7' | 25 | 3.6' | 1.7' |
| 60W PAR16 NFL | 30° | 1300 | 2000 | 3' | 144 | 1.6' | 1.6' | 3' | 1.7' | 94 | 2.2' | 1.9' | 1' | 1.7' | 163 | 2.7' | 1.1' |
| | | | | 5' | 52 | 2.7' | 2.7' | 5' | 2.9' | 34 | 3.7' | 3.1' | 2' | 3.5' | 41 | 5.5' | 2.1' |
| | | | | 7' | 27 | 3.8' | 3.8' | 7' | 4.0' | 17 | 5.1' | 4.3' | 3' | 5.2' | 18 | 8.2' | 3.2' |
| 9' | 16 | 4.8' | 4.8' | 9' | 5.2' | 10 | 6.6' | 5.6' | 4' | 6.9' | 10 | 10.9' | 4.3' | | | | |
| 75W PAR16 NSP | 10° | 7500 | 2000 | 7' | 153 | 1.2' | 1.2' | 6' | 3.5' | 135 | 1.4' | 1.2' | 2' | 3.5' | 234 | 1.4' | 0.7' |
| | | | | 10' | 75 | 1.7' | 1.7' | 9' | 5.2' | 60 | 2.1' | 1.8' | 3' | 5.2' | 104 | 2.1' | 1.0' |
| | | | | 13' | 44 | 2.3' | 2.3' | 12' | 6.9' | 34 | 2.8' | 2.4' | 4' | 6.9' | 59 | 2.9' | 1.4' |
| | | | | 16' | 29 | 2.6' | 2.6' | 15' | 8.7' | 22 | 3.5' | 3.0' | 5' | 8.7' | 38 | 3.6' | 1.7' |
| 75W PAR16 NFL | 30° | 1900 | 2000 | 4' | 119 | 2.1' | 2.1' | 3' | 1.7' | 137 | 2.2' | 1.9' | 1' | 1.7' | 238 | 2.7' | 1.1' |
| | | | | 6' | 53 | 3.2' | 3.2' | 5' | 2.9' | 49 | 3.7' | 3.1' | 2' | 3.5' | 59 | 5.5' | 2.1' |
| | | | | 8' | 30 | 4.3' | 4.3' | 7' | 4.0' | 25 | 5.1' | 4.3' | 3' | 5.2' | 26 | 8.2' | 3.2' |
| 10' | 19' | 5.4' | 5.4' | 9' | 5.2' | 15 | 6.6' | 5.6' | 4' | 6.9' | 15 | 10.9' | 4.3' | | | | |
| PAR20 Halogen Line Voltage Lamps | | | | | | | | | | | | | | | | | |
| 35W PAR20 NSP | 8° | 3000 | 2500 | 6' | 83 | 0.8' | 0.8' | 5' | 2.9' | 78 | 0.9' | 0.8' | 2' | 3.5' | 94 | 1.1' | 0.6' |
| | | | | 8' | 47 | 1.1' | 1.1' | 7' | 4.0' | 40 | 1.3' | 1.1' | 3' | 5.2' | 42 | 1.7' | 0.8' |
| | | | | 10' | 30 | 1.4' | 1.4' | 9' | 5.2' | 24 | 1.7' | 1.5' | 4' | 6.9' | 23 | 2.3' | 1.1' |
| | | | | 12' | 21 | 1.7' | 1.7' | 11' | 6.4' | 16 | 2.1' | 1.8' | 5' | 8.7' | 15 | 2.8' | 1.4' |
| 35W PAR20 NFL | 30° | 900 | 2500 | 3' | 100 | 1.6' | 1.6' | 3' | 1.7' | 65 | 2.2' | 1.9' | 1' | 1.7' | 113 | 2.7' | 1.1' |
| | | | | 5' | 36 | 2.7' | 2.7' | 5' | 2.9' | 23 | 3.7' | 3.1' | 2' | 3.5' | 28 | 5.5' | 2.1' |
| | | | | 7' | 18 | 3.8' | 3.8' | 7' | 4.0' | 12 | 5.1' | 4.3' | 3' | 5.2' | 13 | 9.2' | 3.2' |
| 9' | 11 | 4.8' | 4.8' | 9' | 5.2' | 7 | 6.6' | 5.6' | 4' | 6.9' | 7 | 10.9' | 4.3' | | | | |
| 35W PAR20 WFL | 40° | 600 | 2500 | 3' | 67 | 2.2' | 2.2' | 3' | 1.7' | 43 | 3.0' | 2.5' | 1' | 1.7' | 75 | 4.8' | 1.5' |
| | | | | 5' | 24 | 3.6' | 3.6' | 5' | 2.9' | 16 | 5.1' | 4.2' | 2' | 3.5' | 19 | 9.7' | 2.9' |
| | | | | 7' | 12 | 5.1' | 5.1' | 7' | 4.0' | 8 | 7.1' | 5.9' | 3' | 5.2' | 8 | 14.5' | 4.4' |
| | | | | 9' | 7 | 6.6' | 6.6' | 9' | 5.2' | 5 | 9.1' | 7.6' | 4' | 6.9' | 5 | 19.3' | 5.8' |
| 50W PAR20 NSP | 8° | 6000 | 2000 | 6' | 167 | 0.8' | 0.8' | 5' | 2.9' | 156 | 0.9' | 0.8' | 2' | 3.5' | 188 | 1.1' | 0.6' |
| | | | | 8' | 94 | 1.1' | 1.1' | 7' | 4.0' | 80 | 1.3' | 1.1' | 3' | 5.2' | 83 | 1.7' | 0.8' |
| | | | | 10' | 60 | 1.4' | 1.4' | 9' | 5.2' | 48 | 1.7' | 1.5' | 4' | 6.9' | 47 | 2.3' | 1.1' |
| | | | | 12' | 42 | 1.7' | 1.7' | 11' | 6.4' | 32 | 2.1' | 1.8' | 5' | 8.7' | 30 | 2.8' | 1.4' |
| 50W PAR20 SP | 15° | 3200 | 2000 | 6' | 89 | 1.6' | 1.6' | 5' | 2.9' | 83 | 1.8' | 1.5' | 2' | 3.5' | 100 | 2.2' | 1.1' |
| | | | | 8' | 50 | 2.1' | 2.1' | 7' | 4.0' | 42 | 2.5' | 2.1' | 3' | 5.2' | 44 | 3.3' | 1.6' |
| | | | | 10' | 32 | 2.6' | 2.6' | 9' | 5.2' | 26 | 3.2' | 2.7' | 4' | 6.9' | 25 | 4.4' | 2.1' |
| | | | | 12' | 22 | 3.2' | 3.2' | 11' | 6.4' | 17 | 3.9' | 3.3' | 5' | 8.7' | 16 | 5.6' | 2.6' |
| 50W PAR20 NFL | 27° | 1850 | 2000 | 4' | 116 | 1.9' | 1.9' | 3' | 1.7' | 134 | 2.0' | 1.7' | 1' | 1.7' | 231 | 2.3' | 1.0' |
| | | | | 6' | 51 | 2.9' | 2.9' | 5' | 2.9' | 48 | 3.3' | 2.8' | 2' | 3.5' | 58 | 4.6' | 1.9' |
| | | | | 8' | 29 | 3.8' | 3.8' | 7' | 4.0' | 25 | 4.6' | 3.9' | 3' | 5.2' | 26 | 7.0' | 2.9' |
| 10' | 19 | 4.8' | 4.8' | 9' | 5.2' | 15 | 5.9' | 5.0' | 4' | 6.9' | 14 | 9.3' | 3.8' | | | | |

Job Information **Type:**

631 Airport Road, Fall River, MA 02720 • (508) 679-8131 • Fax (508) 674-4710
 We reserve the right to change details of design, materials and finish.
 www.lightolier.com © 2008 Philips Group • A0508