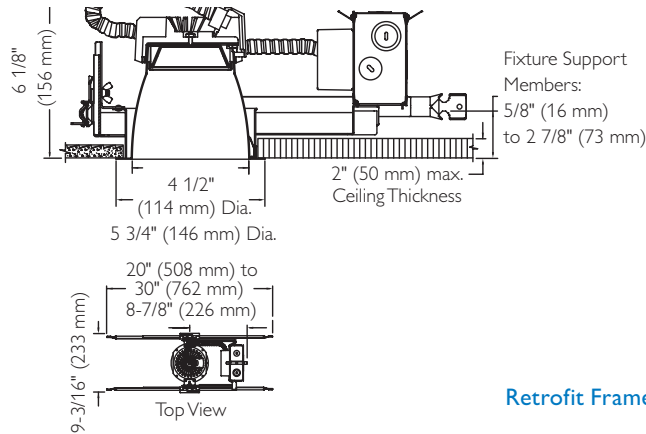


C4L10/CUL10

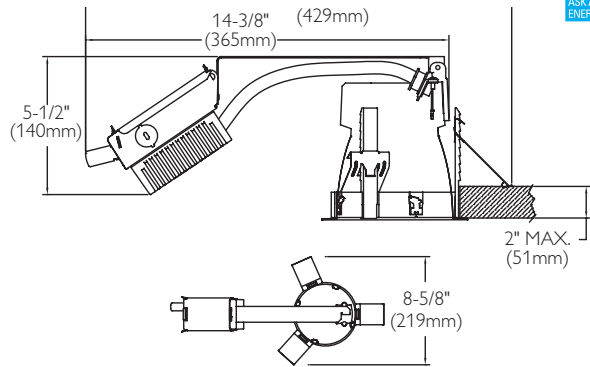
Calculite 4 1/2" LED Frame In Kit



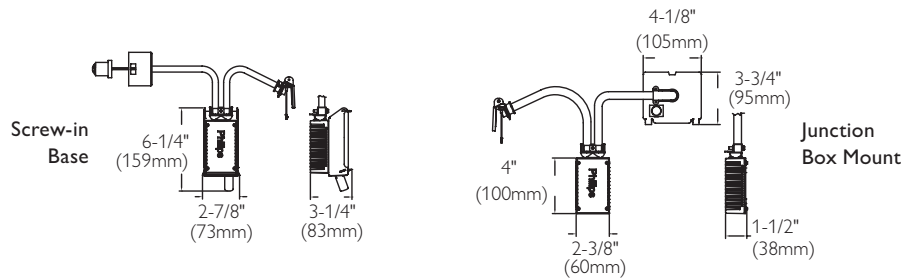
New Construction Frames



Remodeler Frames



Retrofit Frames



Ordering Guide: Frame-in Kits

Frame-in Kit Series	Installation Options	Input Voltage	Options
C4L10	N (New construction) R (Remodeler)	1 (120V) 2 (277V)	Blank (Electronic low voltage dimming - 120V only)
			EM (Emergency) LD (Lutron driver) Z10V (0-10V dimming)
CUL10	J (J-box mount retrofit) S (Screw-in base retrofit (120V only))	1 (120V) 2 (277V)	Blank (Electronic low voltage dimming - 120V only)
			LD (Lutron driver) Z10V (0-10V dimming)

Example: C4L10N1EM

Job Information	Type:
Job Name:	
Cat. No.:	
Notes:	

PHILIPS
LIGHTOLIER

C4L10/CUL10

Calculite 4 1/2" LED Frame In Kit

Page 2 of 2

Features

Ceiling Cutout (Trim Aperture): 5 1/8" (4 1/2")

Depth (including Light Engine): 6 1/8" (156mm)

Power Connection: Attaches to light engine via push-in connector (on frame). Removable cover provides access.

Junction Box: Allows inspection from below.

Thermal Protector: Meets NEC & UL requirements. Do not install insulation above nor within 3" of any part of luminaire.

New Construction Frame:

Mounting Frame: Galvanized steel. Vertical adjustment mechanism mounts to most ceiling systems using mounting bars or 1/2" EMT tubing (by others). Single locking feature secures all adjustments. Alignment holes and markings allow fixture to be preset prior to installation.

Vertical Adjustment: Mounting ring adjusts vertically from above or below ceilings up to 2".

Mounting Bars: Pre-installed telescoping mounting bars extend to 30" long and lock into position. Attach to steel or wood joists without accessories.

Remodeler Frame:

Compatibility: Wide beam flanged downlight only.

Power Pack: Swivel junction box for tight plenum spaces. Snap-off covers permits wiring from top.

Spring Holder: Galvanized steel. Accepts up to 2 1/2" (64mm) ceiling thickness.

Retrofit Frame:

Compatibility: Wide beam downlight only.

Capability (Screw-in): Converts 4 1/2" (114mm) or 6" (153mm) Lightolier incandescent frame-in kit without additional wiring using existing Calculite E26 base.

Capability (J-Box Mount): Converts 4 1/2" (114mm) or 6" (153mm) Lightolier incandescent, compact fluorescent or HID frame-in kit using junction box.

Socket Cup Support: Spun steel. Holds Calculite incandescent socket cup.

Socket Extender: Phenolic E26 base. Connect to existing lampholder.

Electrical

Electronic Power Supply: 120 or 277V, 50/60Hz, encased, overload and short circuit protected, thermal regulation to protect against overheating, sound rating. "A", -20°C minimum starting temperature, 35°C maximum maximum ambient environment. dimmable with standard electronic low voltage or (0-10V) dimmer. Dimming compatibility: See LED-DIM specification sheet.



Input Voltage	Input Frequency	Input Current	LED Drive Current	Input Power	LED Power	THD	Power Factor
120V	50/60Hz	0.1667	350mA	20W*	18W	<5%	>0.9
277V	50/60Hz	0.072	350mA	20W*	18W	<10%	>0.8

* +/- 5%

Rated Life: 50,000 hours

Options and Accessories

Dimming Capability: 12V electronic. See LED-DIM specification sheet

Emergency Capability: See LED-LMI specification sheet
Compatible with slope ceiling adaptors. See specification sheet
SCA. Requires SCAHID accessory.

Labels

UL, cUL, I.B.E.W.
5 Year Warranty



Philips Lightolier
e: lol.webmaster@philips.com
t: (508) 679-8131
w: www.lightolier.com

C4L10-CUL10 April 23, 2012

Specifications are subject to change without notice.
© Koninklijke Philips Electronics N.V., 2012. All rights reserved.

Job Information Type: