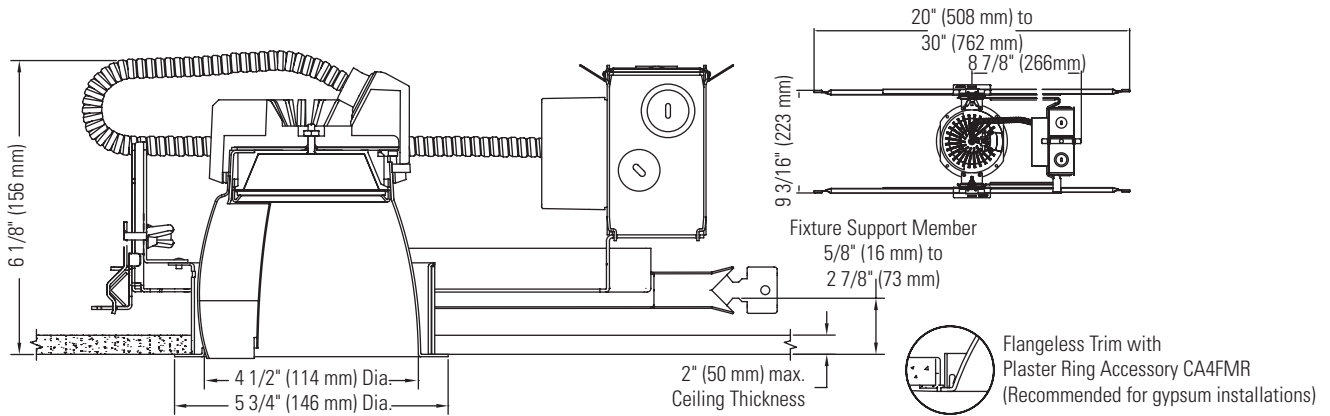


C4L05WW

Calculite 4 1/2" LED Wall Washer

Page 1 of 4



Ordering Guide: Light Engines

Light Engine Series	Style	Color Temperature	Reflector Finish	Flange	Options
C4L05	WW (Open Wall Washer)	27K (2700K) 30K (3000K) 35K (3500K) 40K (4000K)	CL (Clear) CCL (Comfort Clear) CCD (Comfort Clear Diffuse) CCZ (Champagne Bronze) WH (Painted White)	W (Painted white) P (Aperture-matching/polished) FT (Flush-mount/flangeless) ¹	EM (Integral emergency test switch)

Example: C4L05LW35KCCLWEM

¹Accessory CA4FMR recommended for gypsum applications. Reflector flange is 3/8".

Ordering Guide: Frame-in Kits

Frame-in Kit Series	Installation Options	Input Voltage	Options
C4L05	N (New construction) R (Remodeler)	1 (120V) 2 (277V)*	Blank (Electronic low voltage dimming) EM (Emergency) Z10V (0-10V dimming)
CUL05	J (J-box mount retrofit) S (Screw-in base retrofit (120V only))	1 (120V) 2 (277V)*	Blank (Electronic low voltage dimming) Z10V (0-10V dimming)

Example: C4L05N1EM

*277V dimming applications require Z10V option.

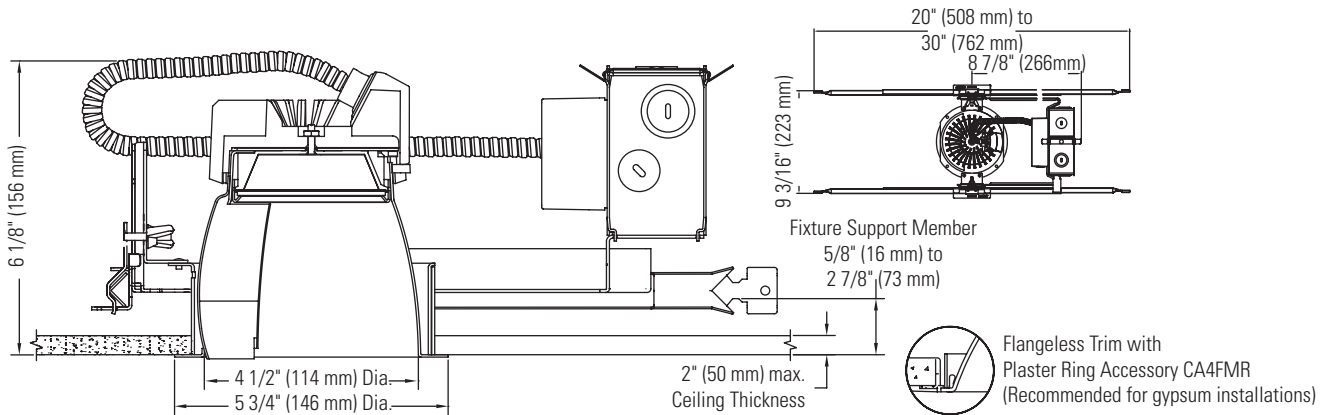
Job Information	Type:
Job Name:	
Cat. No.:	
Notes:	

PHILIPS
LIGHTOLIER

C4L05WW

Calculite 4 1/2" LED Wall Washer

Page 2 of 4



Features

Aperture: 4 1/2" (114mm) I.D., 5 3/4" (146mm) O.D.

Input Wattage: 9W (+/- 5%)

Reflector Cone: Aluminum. Provides 50° cutoff to source & source image. Self-flanged.

Depth (including Frame-in kit): 6 1/8" (156mm)

Power Connection: Attaches to frame-in kit via push-in connector (on frame). Removable cover provides access.

Technology

LED Board: Array of high brightness royal blue LED's.

Remote Phosphor Technology: Remote phosphor technology provides increased efficiency and color consistency. Phosphor lens assembly positioned in front of LED array converts blue light to white. Color shift will not exceed +/- 100K over life.

Optical Mixing Chamber: Lightolier-specific mixing chamber redirects back-reflected light through aperture resulting in 20% increase in efficiency.

Thermal Management: Heat sink and thermal design along with clean room assembly ensures specified performance.

Technology (continued)

Rated Life: Based on IESNA LM-80-2008

50,000 hours at 70% lumen maintenance.

Photometric Performance: Tested in accordance to IESNA LM-79-2008

Options

Dimming Capability: See LED-DIM specification sheet

Emergency Capability (Integral): Add "EM" suffix.

See LED-EM spec sheet.

Emergency Capability (Inverter): See LED-LMI specification sheet

Labels

UL (suitable for wet locations), cUL, I.B.E.W.

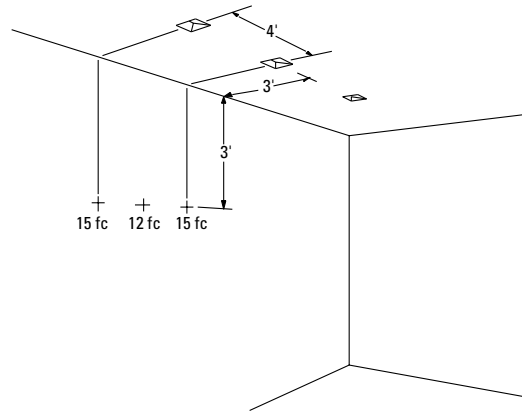
5 Year Warranty

Job Information Type:

PHILIPS
LIGHTOLIER

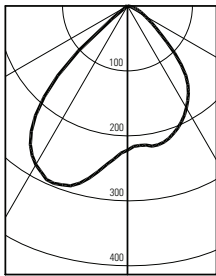
C4L05WW

Calculite 4 1/2" LED Wall Washer



Lighting Data - Example
C410LEDWW27KCLW illumination on the wall 4' down from the ceiling is 5 f.c. beneath and 5 f.c. between fixtures.

10W LED, 2700K, CL FINISH TRIM



Downlight Side Wall Wash 80 Side

Trim:
C410LEDWW27KCLW

Reflector Finish:
Specular Clear

Correlated Color Temp¹:
2700K

Input Watts²:
8.7 w

CRI⁴:

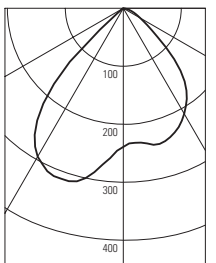
CERTIFIED TEST REPORT NO. F09938³

Distance from ceiling in feet	Multiple Units - Footcandles On Wall			
	2' from Wall - 3' On Center	3'	3'	2' from Wall - 3' On Center
1	6	4	6	6
2	11	7	11	11
3	9	10	9	9
4	8	8	8	8
5	6	6	6	6
6	5	5	5	5
7	4	4	4	4
8	4	4	4	4
9	3	3	3	3
10	3	3	3	3
12	2	2	2	2
14	2	2	2	2

Distance from ceiling in feet	Multiple Units - Footcandles On Wall			
	3' from Wall - 3' On Center	3'	3'	3' from Wall - 3' On Center
1	3	2	3	3
2	5	4	5	5
3	7	6	7	7
4	7	7	7	7
5	6	6	6	6
6	6	5	6	6
7	5	5	5	5
8	4	4	4	4
9	4	4	4	4
10	3	3	3	3
12	3	3	3	3
14	2	2	2	2

Distance from ceiling in feet	Multiple Units - Footcandles On Wall			
	3' from Wall - 4' On Center	4'	4'	3' from Wall - 4' On Center
1	2	2	2	2
2	4	3	4	4
3	5	4	5	5
4	5	5	5	5
5	4	5	4	4
6	4	4	4	4
7	4	3	4	4
8	3	3	3	3
9	3	3	3	3
10	2	2	2	2
12	2	2	2	2
14	2	2	2	2

10W LED, 3000K, CL FINISH TRIM



Downlight Side Wall Wash 79 Side

Trim:
C410LEDWW30KCLW

Reflector Finish:
Specular Clear

Correlated Color Temp¹:
3000K

Input Watts²:
8.7 w

CRI⁴:

CERTIFIED TEST REPORT NO. F09310³

Distance from ceiling in feet	Multiple Units - Footcandles On Wall			
	2' from Wall - 3' On Center	3'	3'	2' from Wall - 3' On Center
1	7	5	7	7
2	14	8	14	14
3	11	11	11	11
4	8	9	8	8
5	7	7	7	7
6	6	5	6	6
7	4	4	4	4
8	4	4	4	4
9	3	3	3	3
10	3	3	3	3
12	2	2	2	2
14	2	2	2	2

Distance from ceiling in feet	Multiple Units - Footcandles On Wall			
	3' from Wall - 3' On Center	3'	3'	3' from Wall - 3' On Center
1	3	3	3	3
2	5	5	5	5
3	8	7	8	8
4	8	8	8	8
5	7	7	7	7
6	6	6	6	6
7	5	5	5	5
8	5	5	5	5
9	4	4	4	4
10	4	4	4	4
12	3	3	3	3
14	3	3	3	3

Distance from ceiling in feet	Multiple Units - Footcandles On Wall			
	3' from Wall - 4' On Center	4'	4'	3' from Wall - 4' On Center
1	2	2	2	2
2	4	3	4	4
3	6	5	6	6
4	6	6	6	6
5	5	5	5	5
6	4	5	4	4
7	4	4	4	4
8	3	3	3	3
9	3	3	3	3
10	3	3	3	3
12	2	2	2	2
14	2	2	2	2

¹Color temperature controlled within specifications as defined by ANSI NEMA ANSLG C78.377-2008: Specifications for the Chromaticity of Solid State Lighting Products.

²Wattage controlled to within 65%.

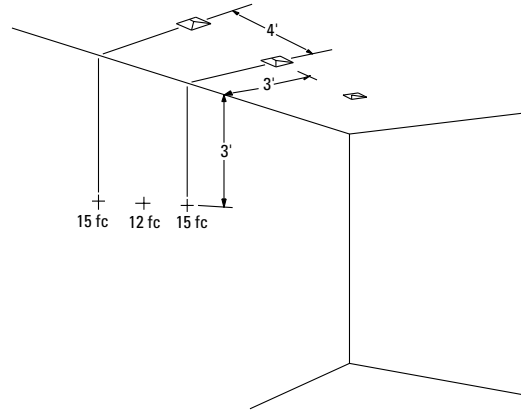
³Tested using absolute photometry as specified in LM79: IESNA Approved Method for the Electrical and Photometric Measurements of Solid-State Lighting Products.

⁴Color Rendering Index within +/- 2%.

Job Information Type:

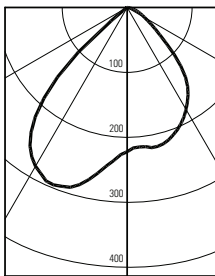
C4L05WW

Calculite 4 1/2" LED Wall Washer



Lighting Data - Example
 C410LEDWW27KCLW illumination on the wall
 4' down from the ceiling is 5 f.c.
 beneath and 5 f.c. between fixtures.

10W LED, 2700K, CL FINISH TRIM



Downlight Side
 Wall Wash 80 Side

Trim:
 C410LEDWW27KCLW

Reflector Finish:
 Specular Clear

Correlated Color Temp¹:
 2700K

Input Watts²:
 8.7 w

CRI⁴:

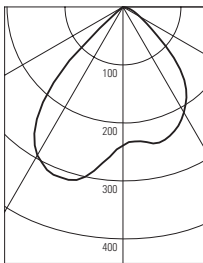
Distance from ceiling in feet	Multiple Units - Footcandles On Wall	
	2' from Wall - 3' On Center	3' On Center
1	6	4
2	11	7
3	9	10
4	8	8
5	6	6
6	5	5
7	4	4
8	4	4
9	3	3
10	3	3
12	2	2
14	2	2

Distance from ceiling in feet	Multiple Units - Footcandles On Wall	
	3' from Wall - 3' On Center	3' On Center
1	3	2
2	5	4
3	7	6
4	7	7
5	6	6
6	6	5
7	5	5
8	4	4
9	4	4
10	3	3
12	3	3
14	2	2

Distance from ceiling in feet	Multiple Units - Footcandles On Wall	
	3' from Wall - 4' On Center	4' On Center
1	2	2
2	4	3
3	5	4
4	5	5
5	4	4
6	4	4
7	4	3
8	3	3
9	3	3
10	2	2
12	2	2
14	2	2

CERTIFIED TEST REPORT NO. F09938³

10W LED, 3000K, CL FINISH TRIM



Downlight Side
 Wall Wash 79 Side

Trim:
 C410LEDWW30KCLW

Reflector Finish:
 Specular Clear

Correlated Color Temp¹:
 3000K

Input Watts²:
 8.7 w

CRI⁴:

Distance from ceiling in feet	Multiple Units - Footcandles On Wall	
	2' from Wall - 3' On Center	3' On Center
1	7	5
2	14	8
3	11	11
4	8	8
5	7	7
6	6	6
7	4	4
8	4	4
9	3	3
10	3	3
12	2	2
14	2	2

Distance from ceiling in feet	Multiple Units - Footcandles On Wall	
	3' from Wall - 3' On Center	3' On Center
1	3	3
2	5	5
3	8	7
4	8	8
5	7	7
6	6	6
7	5	5
8	5	5
9	4	4
10	4	4
12	3	3
14	3	3

Distance from ceiling in feet	Multiple Units - Footcandles On Wall	
	3' from Wall - 4' On Center	4' On Center
1	2	2
2	4	3
3	6	5
4	6	6
5	5	5
6	4	4
7	4	4
8	3	3
9	3	3
10	3	3
12	2	2
14	2	2

CERTIFIED TEST REPORT NO. F09310³

¹Color temperature controlled within specifications as defined by ANSI_NEMA_ANSLG C78.377-2008: Specifications for the Chromaticity of Solid State Lighting Products.

²Wattage controlled to within 65%.

³Tested using absolute photometry as specified in LM79: IESNA Approved Method for the Electrical and Photometric Measurements of Solid-State Lighting Products.

⁴Color Rendering Index within +/- 2%.



Philips Lightolier
 e: lol.webmaster@philips.com
 t: (508) 679-8131
 w: www.lightolier.com

C4L05WW November 21, 2011

Specifications are subject to change without notice.
 © Koninklijke Philips Electronics N.V., 2011. All rights reserved.

Job Information Type: