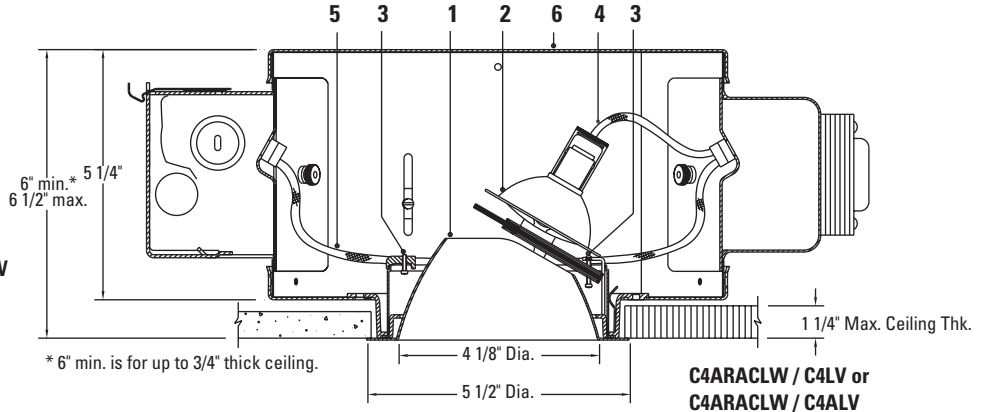
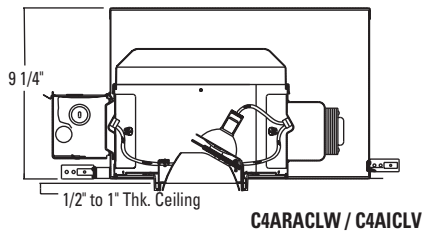
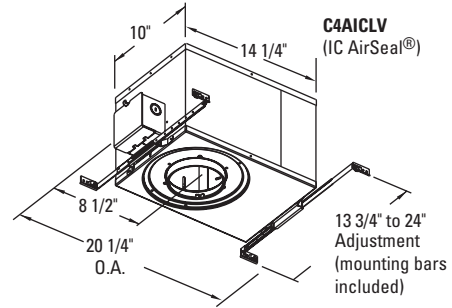
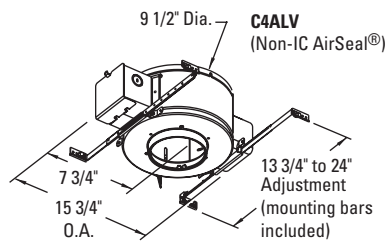
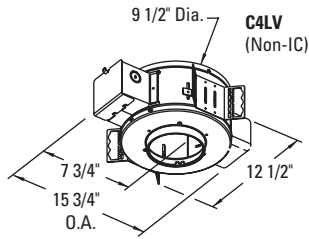




Calculite® Evolution Incandescent Adjustable Accent **C4ARA**

Page 1 of 2

4 1/2" Aperture AR70 Reflector Trim



Ceiling Cutout: 5 1/16" (129 mm) Dia.

Reflector Trim		Frame-In Kit		
C4ARA CLW	Specular Clear, White Flange	Non-IC	Non-IC AirSeal®	IC-AirSeal®
C4ARA CLP	Specular Clear, Polished Flange	120V/277V	120V/277V	120V
C4ARA <input type="checkbox"/>	Add suffix. See options for other finishes.			
C4LV		C4ALV	C4AICLV	
		50W - 75W	50W - 75W	20W - 50W
		AR70 (12V)	AR70 (12V)	AR70 (12V)

Features

- Aperture Cone:** 16 ga. Alzak® aluminum. Slot cut cone opening minimizes view into fixture. Keyed to lampholder assembly for true aiming of lamp thru aperture center and to prevent incorrect installation of cone. Hinged, and snaps onto adjustable lampholder for easy tool-less installation. Available with painted white or polished flange. Interchangeable with other Evolution 4 1/2" low voltage trims.
- Lampholder Assembly:** Provides 35° vertical tilt, 360° horizontal rotation; lockable. Can be relamped without disturbing aiming. Matte black finish.
- Vertical/Horizontal Locking:** Single screw adjustment; independent locking system.
- Socket Harness:** Double contact bayonet base socket, prewired with No. 18 SF-1 leads to keyed plug-in quick connector for power connection to junction box.
- Power Harness:** Provides power to transformer, pre-wired with keyed plug-in quick connectors.
- Frame-In-Kit:** Compatible frame-in kits are listed above. See separate frame-in kit specification sheets for details.
Non-IC and Non-IC AirSeal® - Insulation must be kept 3" away from fixture sides and wiring compartments, and must not be placed above fixture in a manner which will entrap heat.
IC-AirSeal® - Fixture may be in direct contact with insulation.

Options and Accessories

Reflector Finishes¹	
Comfort Clear Diffuse	CCD
Specular Gold	GD
Specular Black	BK
White	WH

Options and Accessories (continued)

- ¹Specify desired flange
W White, **P** Polished
 Remodel frame-in-kit: **C4LVE1RM**

Labels

UL Listed (suitable for damp locations), I.B.E.W.

Alzak® is a registered trademark of ALCOA.

Type:
Job Name:
Cat. No.:
Lamp(s):
Notes:

Lightolier a Genlyte Thomas Company www.lightolier.com
 631 Airport Road, Fall River, MA 02720 • (508) 679-8131 • Fax (508) 674-4710
 We reserve the right to change details of design, materials and finish.
 © 2011 Genlyte Thomas Group LLC (Lightolier Division) • A0711

LIGHTOLIER®



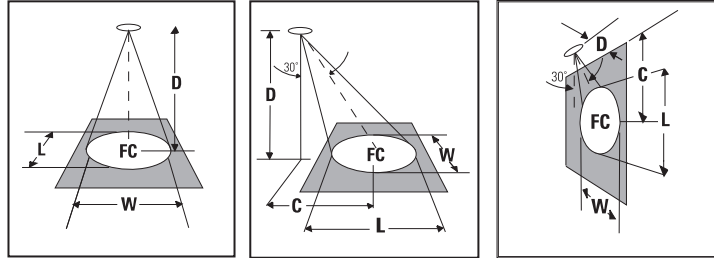
Accent Lighting Performance Data

(FC) is initial footcandles at center of beam.
 Beam length (L) and beam width (W) are to where the candlepower is reduced to 50% of the center beam candlepower.

CBCP is center beam candlepower.

(C) is distance to the center of the beam.

Lamp data shown is typical, and is based on bare lamp photometrics. Contact lamp manufacturers for availability and performance.



Lamps	Beam Spread (to 50% CBCP)	CBCP	Rated Life (Hrs.)	0° Aiming Angle				30° Aiming Angle					30° Aiming Angle				
				D	FC	L	W	D	C	FC	L	W	D	C	FC	L	W

AR70 Low Voltage Halogen Lamps (Osram Sylvania)

 20W AR70 SP	 8° x 8°	7000	3000	7'	143	1.0'	1.0'	6'	3.5'	126	1.0'	1.0'	2'	3.5'	219	1.1'	0.6'
				10'	70	1.4'	1.4'	9'	5.2'	56	1.7'	1.5'	3'	5.2'	97	1.7'	0.8'
				13'	41	1.8'	1.6'	12'	6.9'	32	2.2'	1.9'	4'	6.9'	55	2.3'	1.1'
				16'	27	2.2'	2.2'	15'	8.7'	20	2.8'	2.4'	5'	8.7'	35	2.8'	1.4'
 20W AR70 FL	 25° x 25°	850	3000	3'	94	1.3'	1.3'	3'	1.7'	61	1.8'	1.5'	1'	1.7'	106	2.1'	0.9'
				5'	34	2.2'	2.2'	5'	2.9'	22	3.0'	2.6'	2'	3.5'	27	4.2'	1.4'
				7'	17	3.1'	3.1'	7'	4.0'	11	4.2'	3.6'	3'	5.2'	12	6.2'	2.7'
				9'	10	4.0'	4.0'	9'	5.2'	7	5.4'	4.6'	4'	6.9'	7	8.3'	3.5'
 50W AR70 SP	 10°	15000	2000	8'	234	1.4'	1.4'	7'	4.0'	199	1.6'	1.4'	3'	5.2'	206	2.1'	1.0'
				12'	104	2.1'	2.1'	10'	5.8'	97	2.3'	2.0'	4'	6.9'	117	2.9'	1.4'
				16'	59	2.8'	2.8'	13'	7.5'	58	3.0'	2.6'	5'	8.7'	75	3.6'	1.7'
				20'	38	3.5'	3.5'	16'	9.2'	38	3.7'	3.2'	6'	10.4'	52	4.3'	2.1'
 50W AR70 FL	 30°	2000	2000	4'	125	2.1'	2.1'	3'	1.7'	144	2.2'	1.9'	1'	1.7'	250	2.7'	1.1'
				6'	56	3.2'	3.2'	5'	2.9'	52	3.7'	3.1'	2'	3.5'	63	5.5'	2.1'
				8'	31	4.3'	4.3'	7'	4.0'	27	5.1'	4.3'	3'	5.2'	28	8.2'	3.2'
				10'	20	5.4'	5.4'	9'	5.2'	16	6.6'	5.6'	4'	6.9'	16	10.9'	4.3'

Type:

Lightolier a Genlyte Thomas Company www.lightolier.com
 631 Airport Road, Fall River, MA 02720 • (508) 679-8131 • Fax (508) 674-4710
 We reserve the right to change details of design, materials and finish.
 © 2011 Genlyte Thomas Group LLC (Lightolier Division) • B0711

LIGHTOLIER®