



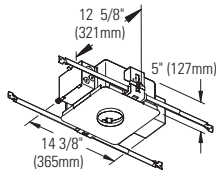
Calculite® Evolution Glasslite Downlight **C3MRGD**

Page 1 of 2

3" Aperture, MR16 (12V)

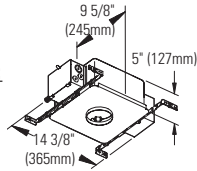
Non-IC Frame:

- C3LV
- C3LVE1
- C3LVE2



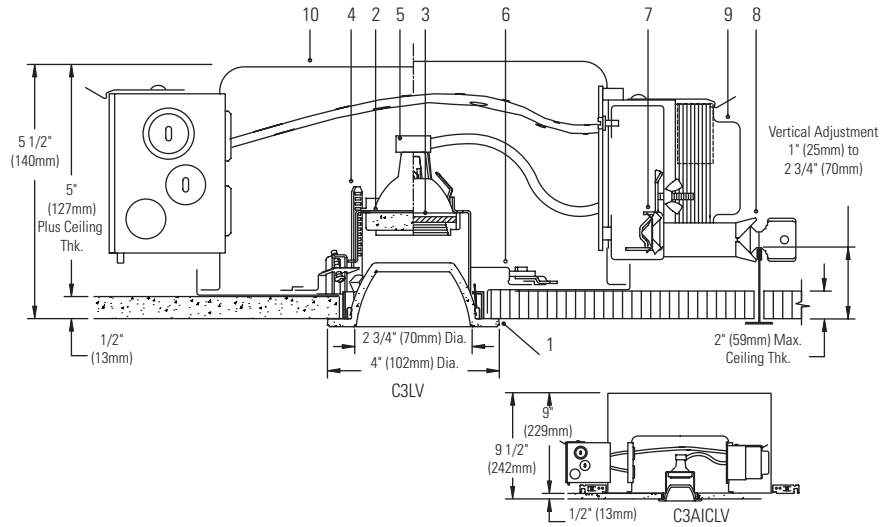
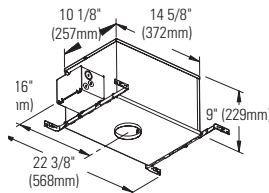
Non-IC AirSeal Frame:

- C3ALV
- C3ALVE1
- C3ALVE2



IC AirSeal Frame:

- C3AICLV
- C3AICLVE1



Ceiling Cutout: 3 1/2" (130mm) Dia.

For Complete Fixture Order: Trim Kit + Frame-In Kit. Each Sold Separately.

Trim Kit	Frame-In Kit	Lamp*	
Etch White Glasslite C3MRGD	C3LV Non-IC	Magnetic 120/277V 42W-65W MR16 (12V)	
	C3LVE1 Non-IC	Electronic 120V 20W-65W MR16 (12V)	
	C3LVE2 Non-IC	Electronic 277V 20W-65W MR16 (12V)	
	C3ALV Non-IC AirSeal®	Magnetic 120/277V 42W-65W MR16 (12V)	
	C3ALVE1 Non-IC AirSeal®	Electronic 120V 20W-65W MR16 (12V)	
	C3ALVE2 Non-IC AirSeal®	Electronic 277V 20W-65W MR16 (12V)	
	C3AICLV IC AirSeal®	Magnetic 120V 20W-50W MR16 (12V)	
	C3AICLVE1 IC AirSeal®	Electronic 120V 20W-50W MR16 (12V)	
	Note: Magnetic not recommended for residential or noise sensitive areas.		

Features

- 1. Glasslite:** One piece borosilicate glass with interal flange, etched interior and white ceramic coated exterior. Etched white cone finish emits a subtle glow. Hinged, and snaps on for easy tool-less installation. Interchangeable with other 3" Evolution trims. Suitable for shower and other wet environments.
- 2. Lamp Support:** Die-form aluminum with knurled surface for easy gripping during relamping. Spring tension clips hold lamp and lens and allow fast snap-in, snap-out relamping. Matte black finish. Accepts up to two 2" diameter accessories.
- 3. Cover Glass:** High temperature, clear lens.
- 4. Thick Ceiling Ready Brackets:** Die-form steel, matte black finish. Adjust trim kit vertically to accommodate up to 2" thick ceiling, lockable.
- 5. Lampholder:** Procelain bi-pin socket. Pre-wired with No.18 AWG Teflon leads.
- 6. Horizontal Adjustment Mechanism:** Built-in ready for adjustable trim, matte black finish.
- 7. Frame Vertical Adjustment Mechanism (C3LV):** Accommodates mounting to virtually any ceiling system using pre-installed mounting bars, or 1/2" EMT tubing (by others). Single locking features secures all adjustments. Alignment holes and markings allow fixture to be pre-set prior to installation. Final adjustment can be made from below inside fixture.
- 8. Mounting Bars (C3LV):** Galvanized steel, 0.048"; pre-installed telescoping bars extend from 20" to 30" long and lock securely into position. Built-in locking tabs provide positive attachment to common T-bar systems. Self-centering feature simplified installation in 24" O.C. grid systems. Attaches to steel or wood joists without accessories.
- 9. Transformer:** Replaceable from below. Magnetic: 120V/277V 60 Hz. dual-voltage, core & coil. **Note:** Magnetic not recommended for residential or noise sensitive areas. Electronic: 120V or 277V 50/60 Hz., regulated lamp voltage, HPF, EMI and circuit protections, thermal auto-reset, quiet operation.
- 10. Frame-In Kit:** See Frame-In Kit specification sheets for more information.

Non-IC and Non-IC AirSeal - Insulation must be kept 3" away from any parts of the luminaire and must not be placed above luminaire in a manner which will entrap heat.

IC AirSeal - Luminaire may be in direct contact with thermal insulation.

Labels

U.L. (Suitable For Wet Locations), I.B.E.W.

*Lamp wattage restriction for Non-IC: 65W for up to 1" thick ceiling, 50W for ceiling thickness greater than 1" (up to 2").

Options and Accessories

2" dia. Color Filters/Specialty filters: See ADF2/AF2 specification sheets

2" dia. Louver: AL2HC

Chicago Plenum: Consult Factory

Job Information	Type:
Job Name:	
Cat. No.:	
Lamp(s):	
Notes:	

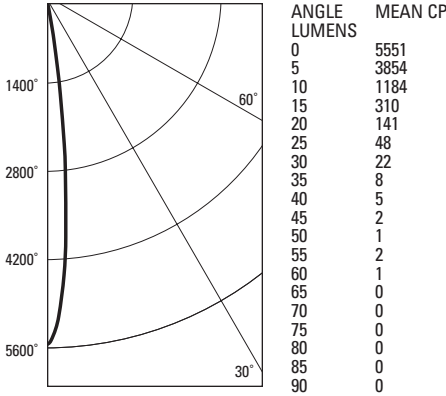
Lightolier a Genlyte company www.lightolier.com
 631 Airport Road, Fall River, MA 02720 • (508) 679-8131 • Fax (508) 674-4710
 We reserve the right to change details of design, materials and finish.
 © 2011 Genlyte Group LLC • E0711

LIGHTOLIER®



50W MR16 - 15° SPOT GE HALOGEN LAMP, LUMEN RATING = 750 LMS, 120V ELECTRONIC TRANSFORMER

CANDLEPOWER DISTRIBUTION



LUMINANCE SUMMARY CD. / SQ. M.

ANGLE	MEAN CD/SQ M
45	640
55	750
65	104
75	170
85	0

Coefficients of Utilization

CEILING	80%				70%		50%		30%		
	50	30	10	50	10	50	10	50	10	0	
WALL 70	Zonal Cavity Method - Effective Floor Cavity Reflectance = 20%										
RCR	Zonal Cavity Method - Effective Floor Cavity Reflectance = 20%										
0	.83	.83	.83	.83	.81	.81	.77	.77	.74	.74	.70
1	.81	.80	.79	.78	.79	.77	.76	.75	.73	.73	.69
2	.79	.79	.76	.75	.76	.74	.74	.73	.73	.71	.69
3	.78	.76	.74	.73	.75	.72	.73	.71	.72	.70	.68
4	.77	.74	.72	.71	.74	.70	.72	.70	.71	.69	.68
5	.75	.73	.71	.69	.72	.69	.71	.69	.70	.68	.67
6	.74	.72	.70	.68	.71	.68	.70	.68	.70	.67	.66
7	.73	.71	.69	.67	.70	.67	.69	.67	.69	.66	.66
8	.73	.70	.68	.67	.69	.66	.69	.66	.68	.66	.65
9	.72	.69	.67	.66	.68	.66	.68	.65	.68	.65	.65
10	.71	.68	.66	.65	.68	.65	.67	.65	.67	.65	.64

ZONAL LUMENS AND PERCENTAGES

ZONE	LUMENS	% LAMP	% LUMINAIRE
0-30	512	68.32	97.99
0-40	518	66.20	99.25
0-60	522	69.64	99.89
0-90	522	69.72	100.00
40-90	3	0.52	0.75
60-90	0	0.08	0.11
90-180	0	0.00	0.00
0-180	522	69.72	100.00

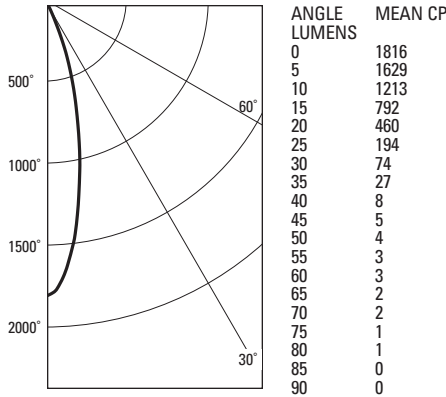
** EFFICIENCY = 69.7% **
SC = .2

CERTIFIED TEST REPORT NO. 2724FR DATE: SEP 7, 2004
COMPUTED BY LSI PROGRAM **TEST-LITE**

LUMINAIRE INPUT WATTS = 51

50W MR16 - 25° NARROW FLOOD GE HALOGEN LAMP, LUMEN RATING = 800 LMS, 120V ELECTRONIC TRANSFORMER

CANDLEPOWER DISTRIBUTION



LUMINANCE SUMMARY CD. / SQ. M.

ANGLE	MEAN CD/SQ M
45	1483
55	1270
65	1241
75	1079
85	351

Coefficients of Utilization

CEILING	80%				70%		50%		30%		
	50	30	10	50	10	50	10	50	10	0	
WALL 70	Zonal Cavity Method - Effective Floor Cavity Reflectance = 20%										
RCR	Zonal Cavity Method - Effective Floor Cavity Reflectance = 20%										
0	.77	.77	.77	.77	.76	.76	.72	.72	.69	.69	.65
1	.75	.74	.73	.72	.73	.71	.70	.69	.68	.67	.64
2	.73	.71	.70	.68	.70	.67	.68	.66	.66	.64	.62
3	.71	.69	.67	.65	.68	.65	.66	.64	.65	.63	.61
4	.70	.67	.64	.63	.66	.62	.65	.62	.64	.61	.60
5	.68	.65	.62	.60	.64	.60	.63	.60	.62	.59	.58
6	.66	.63	.61	.59	.62	.59	.62	.58	.61	.58	.57
7	.65	.61	.59	.57	.61	.57	.60	.57	.59	.56	.56
8	.63	.60	.57	.56	.59	.56	.59	.55	.58	.55	.54
9	.62	.58	.56	.54	.58	.54	.57	.54	.57	.54	.53
10	.61	.57	.55	.53	.57	.53	.56	.53	.56	.53	.52

ZONAL LUMENS AND PERCENTAGES

ZONE	LUMENS	% LAMP	% LUMINAIRE
0-30	487	60.97	93.72
0-40	509	63.64	97.83
0-60	516	64.55	99.23
0-90	520	65.05	100.00
40-90	11	1.41	2.17
60-90	4	0.50	0.77
90-180	0	0.00	0.00
0-180	520	65.05	100.00

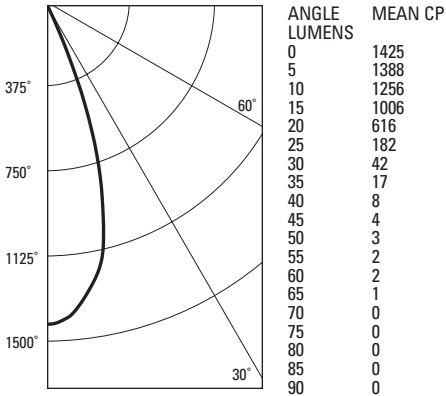
** EFFICIENCY = 65.1% **
SC = .5

CERTIFIED TEST REPORT NO. 2817FR DATE: SEP 5, 2004
COMPUTED BY LSI PROGRAM **TEST-LITE**

LUMINAIRE INPUT WATTS = 51

50W MR16 - 40° FLOOD GE HALOGEN LAMP, LUMEN RATING = 800 LMS, 120V ELECTRONIC TRANSFORMER

CANDLEPOWER DISTRIBUTION



LUMINANCE SUMMARY CD. / SQ. M.

ANGLE	MEAN CD/SQ M
45	1164
55	864
65	616
75	0
85	0

Coefficients of Utilization

CEILING	80%				70%		50%		30%		
	50	30	10	50	10	50	10	50	10	0	
WALL 70	Zonal Cavity Method - Effective Floor Cavity Reflectance = 20%										
RCR	Zonal Cavity Method - Effective Floor Cavity Reflectance = 20%										
0	.81	.81	.81	.81	.79	.79	.76	.76	.72	.72	.66
1	.79	.78	.77	.75	.76	.74	.73	.72	.71	.70	.67
2	.76	.75	.73	.71	.73	.71	.71	.69	.69	.68	.65
3	.75	.72	.70	.68	.71	.68	.70	.67	.68	.66	.64
4	.73	.70	.68	.66	.69	.66	.68	.65	.67	.64	.63
5	.71	.68	.65	.64	.67	.63	.66	.63	.65	.62	.61
6	.70	.66	.64	.62	.66	.62	.65	.62	.64	.61	.60
7	.68	.64	.62	.60	.64	.60	.63	.60	.63	.60	.59
8	.67	.63	.60	.59	.62	.59	.62	.58	.61	.58	.57
9	.65	.61	.59	.57	.61	.57	.60	.57	.60	.57	.56
10	.64	.60	.58	.56	.60	.56	.59	.56	.59	.56	.55

ZONAL LUMENS AND PERCENTAGES

ZONE	LUMENS	% LAMP	% LUMINAIRE
0-30	523	65.48	96.34
0-40	537	67.14	98.77
0-60	542	67.82	98.77
0-90	543	67.97	100.00
40-90	6	0.83	1.23
60-90	1	0.16	0.23
90-180	0	0.00	0.00
0-180	543	67.97	100.00

** EFFICIENCY = 68% **
SC = .6

CERTIFIED TEST REPORT NO. 2722FR DATE: SEP 5, 2004
COMPUTED BY LSI PROGRAM **TEST-LITE**

LUMINAIRE INPUT WATTS = 51

Job Information

Type:

Lightolier a Genlyte company www.lightolier.com
 631 Airport Road, Fall River, MA 02720 • (508) 679-8131 • Fax (508) 674-4710
 We reserve the right to change details of design, materials and finish.
 © 2011 Genlyte Group LLC • E0711