

Features

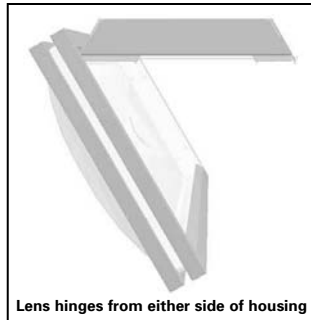
- Excellent for lighting Cafeterias, Small Offices, Corridors, Kitchens and Family Rooms.
- Unique rectangular double frame creates uninterrupted spill of light from all four sides.
- Extruded Aluminum Frame with mitered corners.
- 1/8" thick white acrylic lens containing 25% DR.
- Only 3-3/4" total depth.
- Step back housing for an apparent depth of 1-1/2".
- 63.1% efficient (2 lamp T8)
- Lens opens and hinges from either side.
- Zip-clip flush mount on T-grid ceilings.
- Off-center 7/8" K.O. for flush mount to T-grid ceiling.



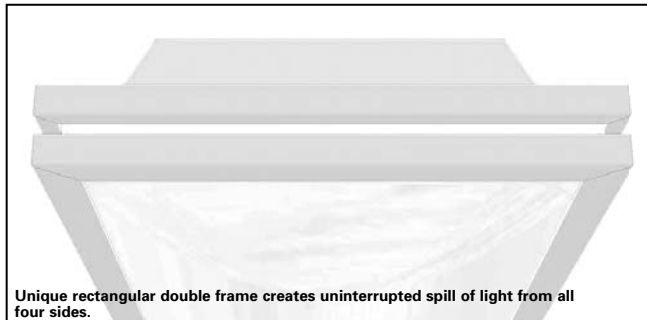
Features



Offset ballast mounting and 7/8" knockouts

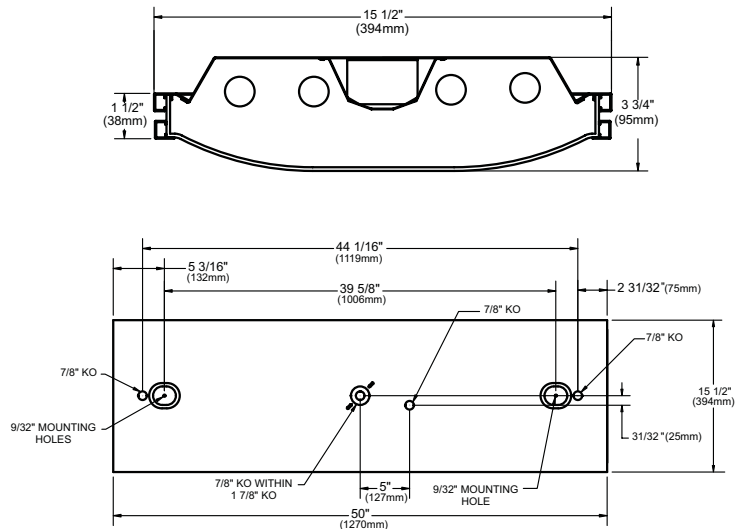


Lens hinges from either side of housing



Unique rectangular double frame creates uninterrupted spill of light from all four sides.

Dimensions



Lightolier a Genlyte company www.lightolier.com
 Technical Information: (978) 657-7600 • Fax (978) 658-0595
 631 Airport Road, Fall River, MA 02720 • (508) 679-8131 • Fax (508) 674-4710
 We reserve the right to change details of design, materials and finish.
 © 2007 a Genlyte company **Section 3A/Folio H10-12**

Job Information	Type:
Job Name:	
Cat. No.:	
Lamp(s):	
Volts/Ballast:	

For Factory Technical Information: (978) 657-7600 • Fax (978) 658-0595
 631 Airport Road, Fall River, MA 02720 • (508) 679-8131 • Fax (508) 674-4710
 We reserve the right to change details of design, materials and finish.
www.lightolier.com © 2009 a Philips Group **Section 3A/Folio H10-12 Rev. A**

02/09

Chassis

Model No. BE2W432UNVH4
with shielding BESF2X4

LER = FP - 57.1 IW - 109.6 BF - 0.88
Comparative yearly lighting energy cost per
1000 lumens = \$4.20

Report Number: G2008141
Lamp: (4) F32T8
Luminaire: 1X4 Belmont Spill Frame
Ballast: ICN-4P32-SC
Report is based on 3100 Lumens per lamp.
Efficiency: 57.4%
CIE Type - Direct
Plane: 0-Deg 90-Deg
Spacing Criteria: 1.2 1.2
Shielding Angles: 90 90
Plane: 0-Deg 90-Deg
Luminous Length: 48.000 14.400

CANDELA DISTRIBUTION

	0.0	45.0	90.0	FLUX
0	2410	2410	2410	
5	2392	2394	2402	228
15	2291	2299	2307	650
25	2118	2128	2138	980
35	1869	1884	1897	1179
45	1559	1581	1595	1219
55	1200	1232	1245	1097
65	805	850	870	834
75	396	469	517	493
85	74	193	248	202
90	32	115	169	

COEFFICIENTS OF UTILIZATION - ZONAL CAVITY METHOD. EFFECTIVE FLOOR CAVITY REFLECTANCE 0.20

RC	80	50	30	10	50	30	10
RW	70	50	30	10	50	30	10
1	62	59	56	55	53	51	49
2	56	51	47	48	45	42	43
3	51	45	40	42	38	35	37
4	47	40	35	37	33	30	32
5	43	36	30	33	29	26	28
6	40	32	27	30	26	23	25
7	37	29	24	27	23	20	22
8	34	26	22	25	21	18	20
9	32	24	20	23	19	16	19
10	30	22	18	21	17	15	17

ZONAL LUMEN SUMMARY

ZONE	LUMENS	% LAMP	% FIXT
0- 30	1858	15.0	27.0
0- 40	3037	24.5	41.1
0- 60	5353	43.2	78.8
0- 90	6882	57.4	100.0
90-180	0	0.0	0.0
0-180	7122	56.3	100.0

LUMINANCE DATA IN CANDELA/SQ. METER

AVERAGE IN DEG.	AVERAGE 0-DEG.	AVERAGE 45-DEG.	AVERAGE 90-DEG.
45	4598.	4311.	4045.
55	4236.	3908.	3586.
65	3678.	3343.	3004.
75	2680.	2529.	2316.
85	1025.	1737.	1654.

Ordering Information

Chase Code:

BE

Belmont
Architectural
Fluorescent

2

Fixture Width:
2 = 15 1/2" wide

Body Finish:
W = White
B = Black

4

Lamp
Quantity
4 = 4 Lamp T8

32

Lamp:
(By Others)
32 = T8 32W
(Nominal 24")

UNV

Voltage:
UNV=120-277

Ballast Type:
<10THD
2 - 2 Lamp Elec. T8
(32 Watt)
1 - 4 Lamp Elec. T8
(32 Watt)
†Instant Start (UNV)

Options:
Add appropriate suffix to catalog no.,
ie: (GLR)
Consult factory for additional options

NOTE: Chassis and shielding are packed in separate cartons. **When ordering, enter as separate line items.**

Length	Shielding	Chassis	Finish	Lamp	Ballast	10THD
4'	BESF2X4	BE2B432UNVHI	Black	4-T8	2 - 2 Lamp Elec.	HI
4'	BESF2X4	BE2W432UNVHI	White	4-T8	2 - 2 Lamp Elec.	HI
4'	BESF2X4	BE2B432UNVH4	Black	4-T8	1 - 4 Lamp Elec.	H4
4'	BESF2X4	BE2W432UNVH4	White	4-T8	1 - 4 Lamp Elec.	H4

Specifications

Finish: Chassis exterior—white baked polyester enamel. Cavity- white baked polyester enamel minimum 86% reflectance. Phosphate undercoating

Frame: Extruded aluminum with soft white polyester powder coat finish.

Lens: One-piece vacuum formed white acrylic containing 25% DR with decorative trim.

Electrical: Thermally protected class "P" ballast C.B.M. approved, no PCB. If KO is within 3" of ballast, use wire suitable for at least 90°.

Labels: I.B.E.W./UL and ULc Listed.

NOTE: Chassis and shielding shown are stock items.

Job Information

Type:

For Factory Technical Information: (978) 657-7600 • Fax (978) 658-0595
631 Airport Road, Fall River, MA 02720 • (508) 679-8131 • Fax (508) 674-4710
We reserve the right to change details of design, materials and finish.

www.lightolier.com © 2009 a Philips Group

Section 3A/Folio H10-12 Rev. A