

Ordering Information

Reflector Trim	Installation Ring	Lamp Data
B7054CCDPEXP Comfort Clear Diffuse, Polished Flange	C4XRM Matte White	A19, 100W Max MB19, 100W Max A21, 150W Max

Features

- Reflector:** 16 ga. Specular Alzak® aluminum, 45° visual cutoff to lamp and lamp image.
- Socket Cup:** Die-cast aluminum cup effectively dissipates heat and assures lamps maintain proper optical alignment to reflector. Snaps onto reflector neck for easy tool-less installation. Can be adjusted without tools from inside or outside of fixture to accommodate two different lamp sizes. Contains E27 medium base porcelain socket with nickel-plated screw shell wired with No. 18 (1.0 mm²) SF-1 leads to terminal block for 3 No. 18 (1.0 mm²) supply leads (line, neutral and ground).
- Installation Ring:** Cast aluminum ring is painted and has two 17 ga. stainless steel springs that engage in upright position during installation. One touch snap action secures ring in ceiling cutout. ORDER SEPARATELY. See separate Installation Ring specification sheet for more details.
- Trim Retention Springs:** Rust resistant springs secure reflector/housing for quick, toolless installation (quantity of 4).
- Multi-Groove Baffle (B7054MG):** One piece seamless Aluminum. Sharply detailed concentric rings with "sawtooth" profile, optical black finish. Permanently fastened to specular reflector.
- Black Cone (B7054BK):** Specular Black Alzak® aluminum. Permanently fastened to specular reflector.

Certifications and Ratings



Job Information

Type:

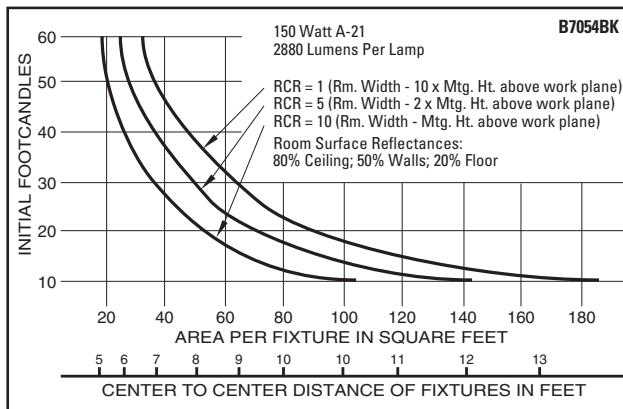
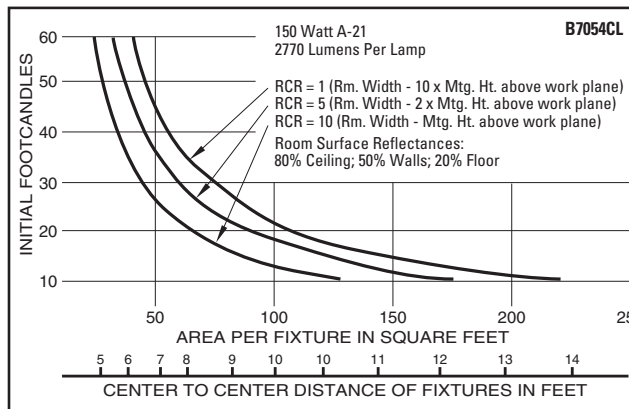
Job Name:

Cat. No.:

Lamp(s):

Notes:

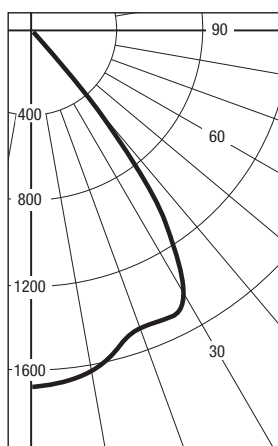
631 Airport Road, Fall River, MA 02720 • (508) 679-8131 • Fax (508) 674-4710
 We reserve the right to change details of design, materials and finish.
 www.lightolier.com © 2008 Philips Group • A0508



Use quick calculator chart to determine spacing of luminaires for desired level of illumination. Conversion Factor: 150W A21 (Gold): F.C. x 0.90.

Use quick calculator chart to determine spacing of luminaires for desired level of illumination. Conversion Factor: 100W A19 (MG): F.C. X 0.55, 100W A19 (BK): F.C. X 0.60

SPACING RATIO= 1.2



CANDLEPOWER SUMMARY

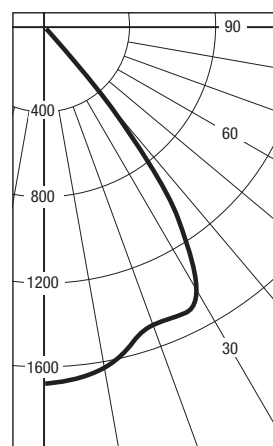
DEG	CP	ZONAL FLUX
0	1654	0
2 1/2	1647	39
7 1/2	1602	115
12 1/2	1567	186
17 1/2	1471	243
22 1/2	1474	309
27 1/2	1457	369
32 1/2	1230	362
37 1/2	706	236
42 1/2	282	104
45		
47 1/2	107	43
52 1/2	15	7
55		
57 1/2	2	1

ZONAL SUMMARY

ZONE	LUMENS	LAMP	FIXT
0-30	1261	45.5	62.6
0-40	1859	67.1	92.2
0-60	2014	72.7	100.0
0-90	2014	72.7	100.0
90-180	0	0	0
0-180	2014	72.7	100.0

I.T.L. REPORT NO. 11514
DATE: 3-4-69

SPACING RATIO= 1.0



CANDLEPOWER SUMMARY

DEG	CP	ZONAL FLUX
0	1822	
5	1810	171
15	1660	469
25	1360	629
35	553	347
45	95	74
55	12	11
65	7	7
75	1	1
85	0	0
90	0	0

ZONAL SUMMARY

ZONE	LUMENS	LAMP	FIXT
0-30	1271	44.1	74.1
0-40	1619	56.2	94.4
0-60	1704	59.1	99.4
0-90	1714	59.5	100.0
90-180	0	0	0
0-180	1714	59.5	100.0

I.T.L. REPORT NO. 18421
DATE: 10-2-74

REPORT NO. 11514C

COEFFICIENTS OF UTILIZATION

% EFFECTIVE CEILING CAVITY REFLECTANCE

ROOM CAVITY RATIO	% WALL REFLECTANCE																							
	80				70				50				30				10				0			
	50	30	10		50	30	10		50	30	10		50	30	10		50	30	10		50	30	10	
1	.82	.80	.79		.80	.79	.77	.77	.76	.75	.74	.73	.73	.72	.72	.71	.69	.68	.67	.66	.66	.66	.66	
2	.77	.74	.72		.76	.73	.72	.73	.72	.70	.71	.70	.69	.69	.68	.67	.66	.64	.63	.62	.62	.62		
3	.72	.69	.66		.71	.68	.66	.69	.67	.65	.68	.66	.64	.67	.64	.63	.62	.61	.59	.58	.58	.58		
4	.68	.65	.62		.68	.64	.61	.66	.63	.61	.64	.62	.60	.63	.61	.59	.58	.57	.56	.55	.55	.55		
5	.64	.60	.57		.63	.59	.57	.62	.59	.57	.61	.58	.56	.60	.58	.55	.54	.53	.52	.51	.51	.51		
6	.60	.56	.53		.59	.56	.53	.58	.55	.53	.57	.55	.53	.57	.54	.52	.51	.50	.49	.48	.48	.48		
7	.56	.52	.50		.55	.52	.49	.55	.51	.49	.54	.51	.49	.53	.50	.48	.48	.47	.46	.46	.46	.46		
8	.53	.49	.46		.53	.49	.46	.52	.48	.46	.51	.48	.46	.50	.47	.46	.44	.44	.44	.44	.44	.44		
9	.49	.45	.42		.49	.45	.42	.48	.45	.42	.48	.44	.42	.47	.44	.42	.41	.41	.41	.41	.41	.41		
10	.46	.42	.39		.46	.42	.39	.45	.42	.39	.45	.41	.39	.44	.41	.39	.38	.38	.38	.38	.38	.38		

20% FLOOR CAVITY REFLECTANCE

Conversion Factor: For 150W A21 units with gold reflector, multiply C.U.'s by 0.9.

REPORT NO. 18421C

COEFFICIENTS OF UTILIZATION

% EFFECTIVE CEILING CAVITY REFLECTANCE

ROOM CAVITY RATIO	% WALL REFLECTANCE																							
	80				70				50				30				10				0			
	50	30	10		50	30	10		50	30	10		50	30	10		50	30	10		50	30	10	
1	.66	.65	.64		.65	.64	.63	.63	.62	.61	.60	.60	.59	.58	.58	.57	.56	.55	.54	.53	.53	.53		
2	.62	.60	.58		.61	.59	.57	.59	.57	.56	.57	.56	.55	.56	.55	.55	.54	.53	.52	.51	.51	.51		
3	.58	.55	.53		.57	.55	.53	.56	.54	.52	.54	.53	.51	.53	.52	.50	.49	.48	.47	.46	.46	.46		
4	.55	.51	.49		.54	.51	.49	.53	.50	.48	.51	.49	.48	.50	.49	.47	.46	.45	.44	.44	.44	.44		
5	.51	.48	.45		.51	.48	.45	.50	.47	.45	.49	.46	.44	.48	.46	.44	.43	.42	.41	.41	.41	.41		
6	.48	.45	.43		.48	.45	.42	.47	.44	.42	.46	.44	.42	.45	.43	.42	.41	.40	.40	.40	.40	.40		
7	.46	.42	.40		.45	.42	.40	.44	.42	.40	.44	.41	.39	.43	.41	.39	.38	.37	.37	.37	.37	.37		
8	.43	.39	.37		.42	.39	.37	.42	.39	.37	.41	.38	.37	.41	.38	.36	.36	.35	.35	.35	.35	.35		
9	.40	.36	.34		.40	.36	.34	.39	.36	.34	.38	.36	.34	.38	.35	.34	.33	.33	.33	.33	.33	.33		
10	.37	.34	.31		.37	.34	.31	.36	.33	.31	.36	.33	.31	.36	.33	.31	.30	.30	.30	.30	.30	.30		

20% FLOOR CAVITY REFLECTANCE

Conversion Factor: For 100W A19 units with gold reflector, multiply C.U.'s by 0.9.

Job Information

Type:

631 Airport Road, Fall River, MA 02720 • (508) 679-8131 • Fax (508) 674-4710
We reserve the right to change details of design, materials and finish.
www.lightolier.com © 2008 Philips Group • A0508