

B600 Ceiling Cutout: 6 9/16" Dia., B600RM Ceiling Cutout: 6 1/2" Dia.

Reflector Trims	Frame-In Kit	Lamp
B7054CLW Specular Clear finish with white flange B7054CLP Specular Clear finish with polished flange B7054CL Specular Clear finish with molded trim ring (flangeless) B7054 <input type="checkbox"/> Add suffix for other finishes (see options)	B600	A19 , 100W max. MB19 , 100W max. A21 , 150W max.
	Remodel Frame-In Kit	Lamp
	B600RM (for use in existing ceilings with 3/8" min. to 2" max. thickness)	Same as B600

Features

- Socket Cup:** Die-cast aluminum cup effectively dissipates heat and assures lamps maintain proper optical alignment to reflector. Snaps onto reflector neck for easy tool-less installation. Can be adjusted without tools from inside or outside of fixture to accommodate two different lamp sizes. Contains medium base porcelain socket with nickel plated screw shell wired and No. 18 SF-1 leads to J-Box.
- Mounting Brackets:** 16 ga. steel. Adjust from inside of fixture. Use 3/4" or 1 1/2" lathing channel, or 1/2" (11/16" O.D.) EMT pipe, or optional mounting bars.
- Retaining Springs:** Precision-tooled steel friction springs secure reflector to mounting frame for quick, tool-less installation.
- Reflector:** 16 ga. Specular Alzak® aluminum, 45° visual cutoff to lamp and lamp image. Available with white or polished flange, or with removable white molded trim ring (field paintable).
- Junction Box:** 14 ga. Steel, 4" x 3 1/2" x 2" box allows inspection from below.
- Thermal Protector:** Meets NEC and UL requirements. Insulation must be kept 3" away from fixture sides and wiring compartments and must not be placed above fixture in a manner which will entrap heat.
- Mounting Frame:** Die-cast aluminum suitable for dry or plaster. Provides flush trim in plaster ceiling.
- Multi-Groove Baffle (B7054MG):** One piece seamless Aluminum. Sharply detailed concentric rings with "sawtooth" profile, optical black finish. Permanently fastened to Specular Clear reflector.
- Black Cone (B7054BK):** Specular Black Alzak® aluminum. Permanently fastened to Specular Clear reflector.

Other Reflector Finish Options

Comfort Clear Diffuse	CCD	Specular Black	BK
Specular Gold	GD	Multi-Groove Baffle	MG
White	WH	(MG available with molded trim ring only)	

Flange Options

White	W	Polished Flange	P
Flangeless		Leave Blank (molded trim ring)	

Options & Accessories

- 18" Mounting Bars** **1950** (set of 2)
- 27" Mounting Bars** **1951** (set of 2)
- T-Bar Anchor Clips** **1956** (set of 4, for 1950 & 1951 bars)
- Existing Ceiling Clips** **7998** (set of 2)
- Sloped Ceiling Adapters** **7920** (see SCA specification sheet)
- Step Down Transformer** **7997** (see separate specification sheet)
- Chicago Air Plenum** **LC** (add suffix to Frame-in Kit)

Electrical

B600 UL Listed for through branch circuit wiring with max. of (8) No. 12, 75°C supply conductors or 60°C conductors for end of run.
B600RM UL Listed for No. 12 AWG 60°C supply conductors.

Labels

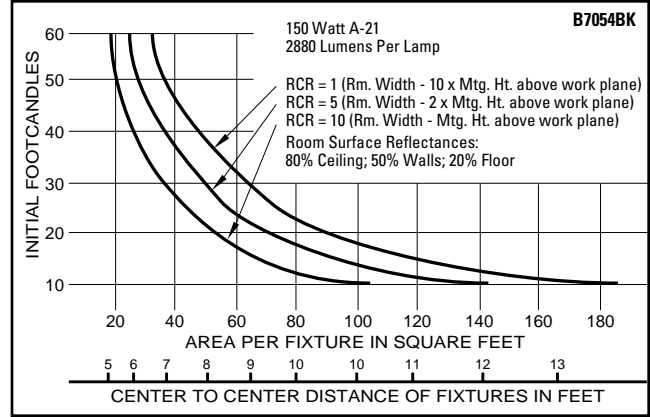
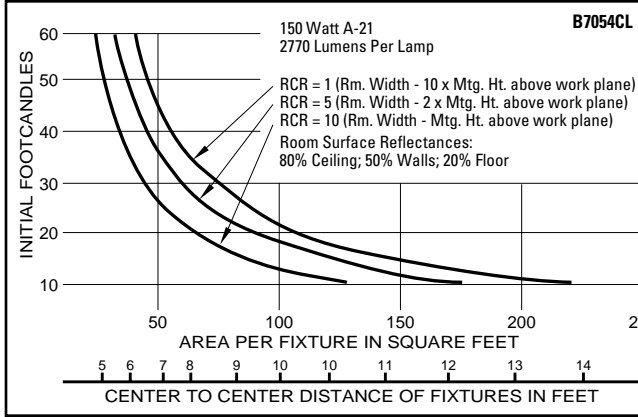
UL Listed (Suitable for damp locations), I.B.E.W.

Alzak® is a registered trademark of ALCOA.

Job Information	Type:
Job Name:	
Cat. No.:	
Lamp(s):	
Notes:	

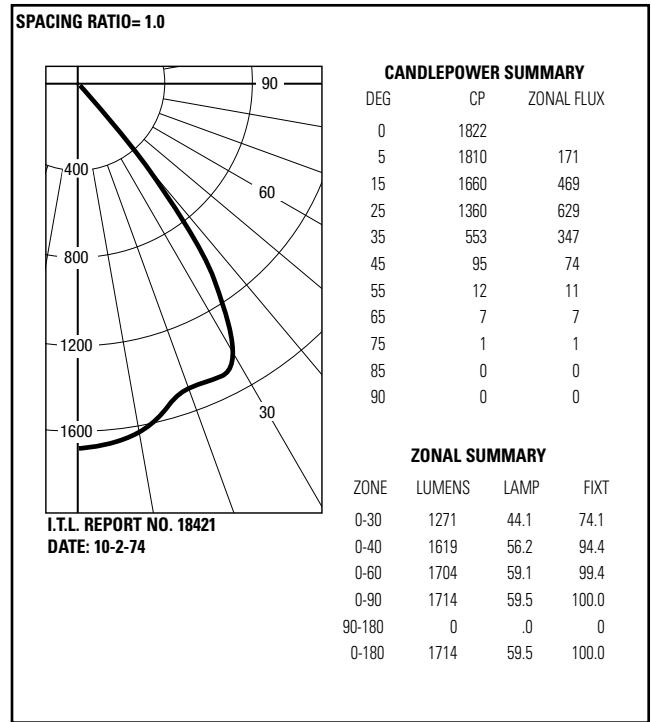
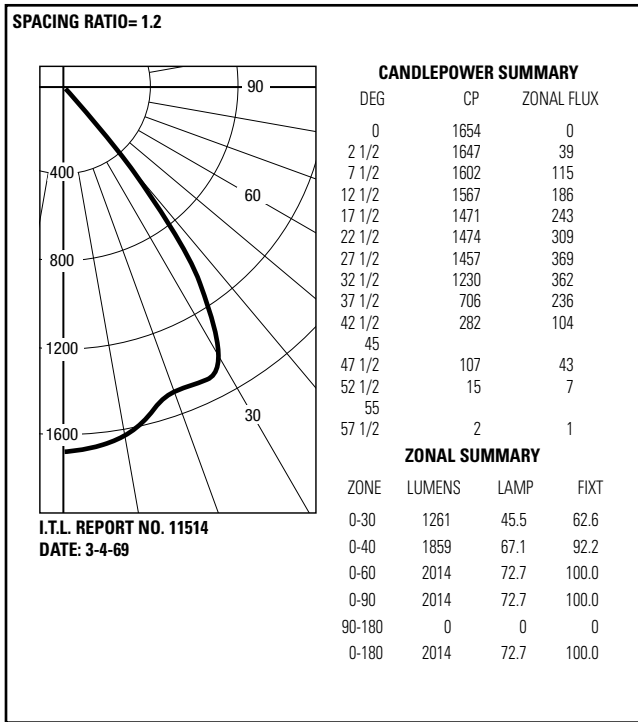
Lightolier a Genlyte Thomas Company www.lightolier.com
 631 Airport Road, Fall River, MA 02720 • (508) 679-8131 • Fax (508) 674-4710
 We reserve the right to change details of design, materials and finish.
 © 2002 Genlyte Thomas Group LLC (Lightolier Division) • A0902

LIGHTOLIER®



Use quick calculator chart to determine spacing of luminaires for desired level of illumination. Conversion Factor: 150W A21 (Gold): F.C. x 0.90.

Use quick calculator chart to determine spacing of luminaires for desired level of illumination. Conversion Factor: 100W A19 (MG): F.C. X 0.55, 100W A19 (BK): F.C. X 0.60



REPORT NO. 11514C

COEFFICIENTS OF UTILIZATION
% EFFECTIVE CEILING CAVITY REFLECTANCE

ROOM CAVITY RATIO	% WALL REFLECTANCE															
	80			70			50			30			10			0
	50	30	10	50	30	10	50	30	10	50	30	10	50	30	10	0
1	.82	.80	.79	.80	.79	.77	.77	.76	.75	.74	.73	.73	.72	.72	.71	.69
2	.77	.74	.72	.76	.73	.72	.73	.72	.70	.71	.70	.69	.69	.68	.67	.66
3	.72	.69	.66	.71	.68	.66	.69	.67	.65	.68	.66	.64	.67	.64	.63	.62
4	.68	.65	.62	.68	.64	.61	.66	.63	.61	.64	.62	.60	.63	.61	.59	.58
5	.64	.60	.57	.63	.59	.57	.62	.59	.57	.61	.58	.56	.60	.58	.55	.54
6	.60	.56	.53	.59	.56	.53	.58	.55	.53	.57	.55	.53	.57	.54	.52	.51
7	.56	.52	.50	.55	.52	.49	.55	.51	.49	.54	.51	.49	.53	.50	.48	.48
8	.53	.49	.46	.53	.49	.46	.52	.48	.46	.51	.48	.46	.50	.47	.46	.44
9	.49	.45	.42	.49	.45	.42	.48	.45	.42	.48	.44	.42	.47	.44	.42	.41
10	.46	.42	.39	.46	.42	.39	.45	.42	.39	.45	.41	.39	.44	.41	.39	.38

20% FLOOR CAVITY REFLECTANCE
Conversion Factor: For 150W A21 units with gold reflector, multiply C.U.'s by 0.9.

REPORT NO. 18421C

COEFFICIENTS OF UTILIZATION
% EFFECTIVE CEILING CAVITY REFLECTANCE

ROOM CAVITY RATIO	% WALL REFLECTANCE															
	80			70			50			30			10			0
	50	30	10	50	30	10	50	30	10	50	30	10	50	30	10	0
1	.66	.65	.64	.65	.64	.63	.63	.62	.61	.60	.60	.59	.58	.58	.57	.56
2	.62	.60	.58	.61	.59	.57	.59	.57	.56	.57	.56	.55	.56	.54	.54	.53
3	.58	.55	.53	.57	.55	.53	.56	.54	.52	.54	.53	.51	.53	.52	.50	.50
4	.55	.51	.49	.54	.51	.49	.53	.50	.48	.51	.49	.48	.50	.49	.47	.46
5	.51	.48	.45	.51	.48	.45	.50	.47	.45	.49	.46	.44	.48	.46	.44	.43
6	.48	.45	.43	.48	.45	.42	.47	.44	.42	.46	.44	.42	.45	.43	.42	.41
7	.46	.42	.40	.45	.42	.40	.44	.42	.40	.44	.41	.39	.43	.41	.39	.38
8	.43	.39	.37	.42	.39	.37	.42	.39	.37	.41	.38	.37	.41	.38	.36	.36
9	.40	.36	.34	.40	.36	.34	.39	.36	.34	.38	.36	.34	.38	.35	.34	.33
10	.37	.34	.31	.37	.34	.31	.36	.33	.31	.36	.33	.31	.36	.33	.31	.30

20% FLOOR CAVITY REFLECTANCE
Conversion Factor: For 100W A19 units with gold reflector, multiply C.U.'s by 0.9.

Job Information **Type:**

Lightolier a Genlyte Thomas Company www.lightolier.com
631 Airport Road, Fall River, MA 02720 • (508) 679-8131 • Fax (508) 674-4710
We reserve the right to change details of design, materials and finish.
© 2002 Genlyte Thomas Group LLC (Lightolier Division) • A0902

LIGHTOLIER®