

Catalog Number	Finish	Lamp	Wattage	Color Temp	Voltage
ADJ100AL	Matte Aluminum	LED	18W	3300K	24V DC
ADJ100BK	Matte Black	LED	18W	3300K	24V DC
LED-RPS-50	Matte Black	N/A	50W	N/A	120V

Features

- Heat Sink Housing:** Extruded aluminum, design thermally optimized to reduce LED junction temperature to maintain light output, color and life.
- Lens:** Extruded polycarbonate clear.
- Housing Back:** Injection molded polycarbonate.
- Splice Compartment/Hinge:** Die cast aluminum, allows 180° rotation.
- Splice Compartment Cover:** 18ga. steel die stamped and formed.

Electrical

- LED:** (14) 1W 3300K white LEDs. Average expected life, under normal operating conditions is 50,000 hours with lumen maintenance of 70% of original light output.
- Power Supply:** 24V DC, Class 2 output. (Power supply (LED-RPS-50) is remote mounted-not shown). Up to 2 units can be powered by the same power supply. 120V input. Max connected load - 50W per power supply.

Voltage: 120V
Nom. Input Current (Amps): 0.5A@120V
Power Factor: 0.99
Output Voltage (VDC): 24.0±0.5
Min./Max Output Power (W): 0.9/50
Max. Line Ripple (V): ±0.2

Wiring: 10ft lead for connecting power supply. Power supply prewired in left flexible conduit, 120V - per unit.

Mounting

Pre-drilled holes for screw mounting (screws not included).

Finish

Matte aluminum or matte black.

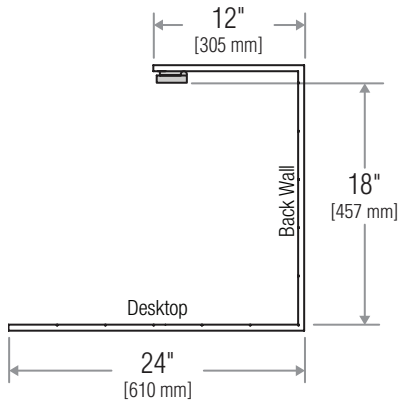
Labels

cULus Listed. Suitable for Dry Locations

Job Information	Type:
Job Name:	
Cat. No.:	
Lamp(s):	
Notes:	

631 Airport Road, Fall River, MA 02720 • (508) 679-8131 • Fax (508) 674-4710
 We reserve the right to change details of design, materials and finish.
 www.lightolier.com © 2008 Philips Group • B1208

Photometric Data for ADJ100 (aimed at desktop)

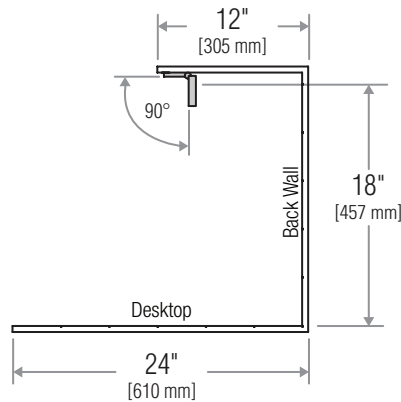


Back Wall											
0.1	0.2	0.2	0.4	0.8	0.9	0.7	0.4	0.3	0.2	0.2	
1.0	2.2	5.2	11.0	15.0	19.4	16.3	11.6	5.9	2.9	1.3	
3.0	6.1	12.4	21.9	31.2	33.7	30.6	22.9	13.7	7.3	3.4	
4.3	7.8	12.5	19.6	25.2	26.8	25.0	19.7	13.7	8.6	5.0	
4.6	7.2	10.8	14.9	18.3	18.3	17.7	14.6	11.2	7.8	5.1	

Desktop											
8.8	13.5	20.3	27.3	33.4	34.8	33.1	27.8	20.9	14.4	9.8	
10.5	16.9	25.8	37.2	45.6	48.3	45.8	37.5	27.5	18.1	11.7	
11.2	18.6	29.4	43.6	54.1	58.2	54.3	43.6	31.5	20.5	12.7	
11.1	18.1	29.1	41.5	51.8	55.5	52.4	42.9	30.6	20.3	12.5	
9.7	15.4	23.2	33.4	40.7	43.9	41.4	34.4	25.3	17.3	11.0	
8.3	11.9	17.7	23.6	28.2	29.8	28.2	23.7	18.5	13.3	9.0	

Each square in the charts equals 4" x 4".
Footcandle measurements are at the center of each square.

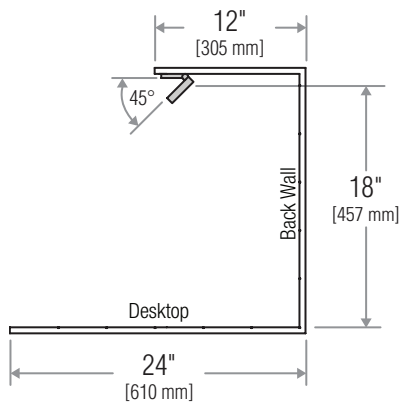
Photometric Data for ADJ100 (aimed at back wall)



Back Wall											
4.9	15.3	45.5	110.4	181.8	202.9	182.1	117.4	49.8	17.8	6.7	
4.7	12.2	31.7	72.0	114.3	121.2	103.3	71.8	34.2	13.7	5.6	
3.2	7.7	16.4	31.6	43.7	46.3	41.8	29.1	16.9	8.3	3.9	
2.0	4.0	7.7	12.8	15.4	15.6	15.0	11.2	7.9	4.3	2.4	
1.3	2.2	3.6	5.0	6.2	6.4	5.8	4.6	3.2	2.2	1.4	

Desktop											
2.4	3.9	6.3	8.5	10.7	11.0	9.9	8.7	6.3	4.4	2.8	
1.2	1.7	2.5	3.3	4.0	4.6	4.7	3.8	3.1	2.1	1.5	
0.8	1.1	1.5	2.0	2.2	2.5	2.4	2.1	1.7	1.3	0.9	
0.6	0.8	1.0	1.3	1.5	1.6	1.6	1.4	1.2	0.9	0.7	
0.3	0.3	0.4	0.5	0.5	0.5	0.5	0.5	0.5	0.4	0.3	
0.2	0.2	0.3	0.3	0.3	0.3	0.3	0.3	0.3	0.2	0.2	

Photometric Data for ADJ100 (aimed 45° at back wall)



Back Wall											
2.7	9.0	25.1	62.1	97.5	110.9	98.9	61.1	28.3	11.3	4.0	
5.8	14.5	34.2	73.6	108.8	119.7	106.4	72.4	35.7	16.1	6.8	
6.6	14.6	29.0	50.3	70.5	74.1	67.2	49.4	28.3	15.4	7.7	
6.4	11.5	19.9	30.5	39.5	41.1	37.1	29.0	19.8	11.8	6.9	
5.5	8.7	13.3	18.9	22.5	23.3	21.4	17.7	12.7	8.8	5.8	

Desktop											
10.4	15.6	23.8	33.0	41.6	42.7	41.1	34.4	25.6	17.4	11.3	
9.6	15.0	23.8	34.5	42.8	45.9	43.8	35.6	25.9	16.8	10.5	
7.0	12.4	18.9	28.9	36.1	40.0	37.5	30.2	21.4	13.5	8.0	
3.7	6.5	10.7	16.6	21.3	24.1	21.8	17.6	12.2	7.6	4.6	
1.4	2.2	3.6	5.3	6.2	6.9	6.4	5.4	4.2	2.7	1.7	
0.4	0.6	0.7	1.1	1.2	1.2	1.3	1.2	1.0	0.7	0.5	

Each square in the charts equals 4" x 4".
Footcandle measurements are at the center of each square.

Job Information	Type:
-----------------	-------

631 Airport Road, Fall River, MA 02720 • (508) 679-8131 • Fax (508) 674-4710
We reserve the right to change details of design, materials and finish.
www.lightolier.com © 2008 Philips Group • B1208