

Ordering Information

Family	Shielding	Dimension	Lamps	Lamp Type	Voltage	Control	Option
AB	R	14		T8		ST	
Aletta B	R = Radial Louver	14 = 1' x 4'	2 = 2 Lamps 3 = 3 Lamps	T8 = T8 Standard Output	1 = 120v 2 = 277v 3 = 347v U = 120v-277v	ST = Standard	Blank = None D = Dimming ¹ E = EM Pack ¹ 2 = 2 Circuit

¹ Must select voltage option 1 or 2 only.

Features

- Housing:** Single piece 20 gauge pre painted steel. Swing down door provides access to lamps and ballasts.
- Lamp:** Two or three T8 32w (by others).
- Outer Shielding:** .020 matte smooth impact acrylic. 62% transmission.
- Radial Louver:** Precision die-formed aluminum straight blade louver.
- Reflector:** Die formed 22 gauge steel 95% reflectance baked white acrylic matte paint.
- Trim:** Extruded aluminum painted white, interfaces with ceiling grid or plaster ceiling by others.

Electrical

Ballasts are electronic and high power factor. Dimming ballasts are available on many lamp types, please consult factory regarding specific applications. 1325 max lumen battery pack is standard. See application table on page 2 for output with specific lamp types. Factory installed ballast disconnect allows the ballast to be disconnected from and reconnected to incoming power under load without turning the entire circuit off.

Mounting

Housing is suspended by hanger wires and laid into standard or slot-T grid ceiling. Mounting accessory available for drywall installations (see page 2).

Labels

UL, cUL and I.B.E.W.

Ordering Instructions

Individual Fixtures:

- Order quantity of Individual Units required.

Job Information

Type:

Job Name:

Cat. No.:

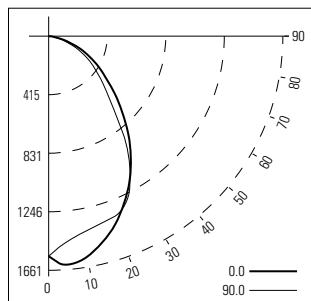
Lamp(s):

Notes:

631 Airport Road, Fall River, MA 02720 • (508) 679-8131 • Fax (508) 674-4710
We reserve the right to change details of design, materials and finish.
www.lightolier.com © 2009 Philips Group • A0409

Performance 2-Light T8

Candlepower Curve



Report No.: LLI030908C.ies
 Lamps: Philips 2-F32T8/ADV841/ALTO
 Lumens: 6200
 Efficiency: 52.8%
 Cat. No.: ABR142T8UST
 25°C Rating

Zone → Degree ↓	Candlepower				
	0	22	45	67	90
	Candelas				
90	0	0	0	0	0
85	41	41	42	42	41
75	168	160	148	142	131
65	329	312	291	274	271
55	504	481	455	427	422
45	749	747	732	639	610
35	1042	1016	1068	1040	1017
25	1309	1266	1284	1325	1351
15	1527	1504	1418	1388	1383
5	1661	1637	1555	1481	1455
0	1558	1558	1558	1558	1558

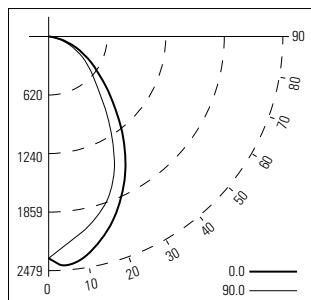
Zone	Distribution		
	Lumens	% Lamp	% Luminaire
0-90	3272.43	52.8	100
90-180	0	0	0
0-180	3272.43	52.8	100

Room Cavity Ratio	Coefficients Of Utilization								
	% Effective Ceiling Cavity Reflectance								
	80			70			50		
	% Wall Reflectance								
	50	30	10	50	30	10	50	30	10
0	63	63	63	61	61	61	59	59	59
1	54	52	50	53	51	49	51	49	47
2	47	44	41	46	43	40	44	42	39
3	42	37	34	41	37	33	39	36	33
4	37	32	28	36	32	28	35	31	28
5	33	28	24	32	28	24	31	27	24
6	29	25	21	29	24	21	28	24	21
7	27	22	19	26	22	18	25	21	18
8	24	20	16	24	19	16	23	19	16
9	22	18	15	22	17	15	21	17	14
10	20	16	13	20	16	13	19	16	13

20% Floor Cavity Reflectance

Performance 3-Light T8

Candlepower Curve



Report No.: LLI030908D.ies
 Lamps: Philips 3-F32T8/ADV841/ALTO
 Lumens: 9300
 Efficiency: 46.1%
 Cat. No.: ABR143T8UST
 25°C Rating

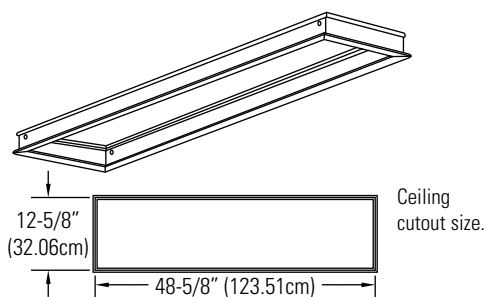
Zone → Degree ↓	Candlepower				
	0	22	45	67	90
	Candelas				
90	0	0	0	0	0
85	47	48	50	50	47
75	209	197	183	176	160
65	414	391	365	341	330
55	638	606	565	522	509
45	986	962	871	758	726
35	1448	1412	1324	1215	1163
25	1877	1857	1740	1689	1690
15	2238	2230	2138	2041	2003
5	2479	2452	2340	2237	2200
0	2342	2342	2342	2342	2342

Zone	Distribution		
	Lumens	% Lamp	% Luminaire
0-90	4287.36	46.1	100
90-180	0	0	0
0-180	4287.36	46.1	100

Room Cavity Ratio	Coefficients Of Utilization								
	% Effective Ceiling Cavity Reflectance								
	80			70			50		
	% Wall Reflectance								
	50	30	10	50	30	10	50	30	10
0	55	55	55	54	54	54	51	51	51
1	48	46	44	47	45	43	45	43	42
2	42	39	36	41	38	35	39	37	35
3	37	33	30	36	32	30	35	32	29
4	33	29	25	32	28	25	31	28	25
5	29	25	22	29	25	22	28	24	22
6	26	22	19	26	22	19	25	21	19
7	24	20	17	23	20	17	23	19	17
8	22	18	15	21	18	15	21	17	15
9	20	16	13	20	16	13	19	16	13
10	18	15	12	18	14	12	18	14	12

20% Floor Cavity Reflectance

Mounting Accessory



Drywall Conversion Kit
FK91x4 - Conversion Kit for 1' x 4' Unit

EM Pack Output Table

Lamp Length	Lamp Type	Lamp Rated Output	Lamp Wattage	Battery Lumen Output
4'	T5HO	4450*	54	1250*
4'	T5	2600*	44	1325*
4'	T8	2950	35	1100
2'	T5HO	1750*	29	725*
2'	T5	1200*	25	750*
2'	T8	1350	21	650

* 25°C Rating

Job Information Type:

631 Airport Road, Fall River, MA 02720 • (508) 679-8131 • Fax (508) 674-4710
 We reserve the right to change details of design, materials and finish.
 www.lightolier.com © 2009 Philips Group • A0409