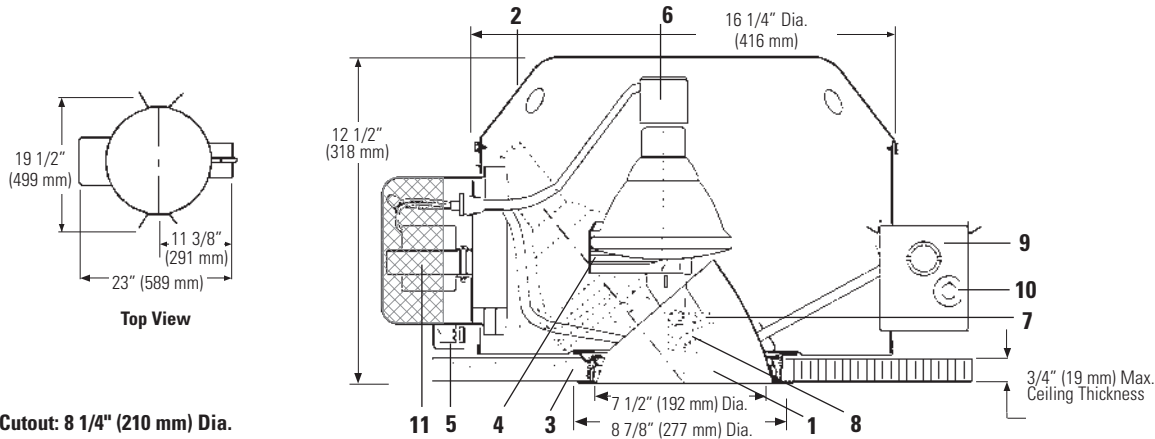




Calculite[®] H.I.D. Adjustable Accent **AA7/PAA7P38**

Page 1 of 2

7 1/2" Aperture ProSpec[®] Adjustable Accent Light PAR38 Metal Halide



Ceiling Cutout: 8 1/4" (210 mm) Dia.

Complete fixture consists of Reflector Trim & Frame-In Kit. Select each separately.

Reflector Trim		Frame-In Kit	Lamp
		PAA7P3870H PAA7P3810H	70W PAR38 Metal Halide 100W PAR38 Metal Halide
AA7CLW30 AA7CLP30 AA7BKW30 AA7BKP30	AA7CLW45 AA7CLP45 AA7BKW45 AA7BKP45	Finish	
		Specular Clear, White Self-Flange Specular Clear, Polished Self-Flange Specular Black*, White Self-Flange Specular Black*, Polished Self-Flange	

Features

- Aperture Cone:** Specular Alzak[®] clear or black aluminum. 16 ga. Painted white or polished flange. For other finishes, consult factory.
- Housing:** Steel .029" (22 ga.) matte black finish. Housing Top: aluminum, .050" (16 ga.), matte black inside. Removable for top relamping.
- Mounting Frames:** Die-cast aluminum suitable for dry or plaster ceilings.
- Lampholder Assembly:** Die-cast aluminum "U" shaped lamp holder provided with tension springs for fast snap-in/snap-out side mounting of lamp and various accessories (see accessory section). Provides lockable 45° vertical and 358° horizontal adjustment. Both adjustments remain locked while relamping. The relationship between the lamp aiming angle and the aperture is consistently maintained by keying cone spring to Lampholder Assembly. Hot aiming can be easily done with the blade of a screwdriver.
- Mounting Brackets:** Adjust vertically from the inside or outside of the fixture. Durable .059" (16 ga.) steel construction. Use with standard 3/4" or 1 1/2" lathing channels, or 1/2" EMT tubing (by others) or optional Lightolier mounting bars (**1950** or **1951**).
- Socket:** Porcelain pulse-rated socket-medium base. Nickel plated screw shell.
- Vertical Cam Lock:** Die-cast aluminum lever provides cam action vertical adjustment lock, max. 45° adjustment.
- Horizontal Cam Lock:** Spring steel lever provides cam action horizontal adjustment lock, 358° rotation.
- Ballast Box Assembly:** Can be accessed from below without tools for inspection or servicing.
- Junction Box:** .063" (14 ga.) galvanized steel. UL listed for a maximum of (8) No. 12 AWG 90°C through branch circuit wires. Accessible from inside and outside of the fixture. Outside J-Box door is hinged for maximum opening. Snap-in plug is provided on the inside cover for quick connection with socket harness.
- Thermal Protector:** Meets NEC and UL requirements. Thermal insulation shall not be installed within 3" (76mm) of the recessed fixture enclosure, wiring compartment, or ballast, and shall not be so installed above the fixture as to entrap heat and prevent the free circulation of air.

Electrical

Ballast: 120/277V magnetic lag type reactance autotransformer, high power factor, encased and filled with a special thermally conductive insulation material for heat dissipation and quiet operation.

Ballast	ANSI Code	Voltage	Max. Amps	Input Watts
70W MH	M98	120/277	1.90/0.80	95
100W MH	M90	120/277	2.60/1.15	130

Options & Accessories

- Mounting Bars:** **1950** - 18" Set of (2) **1951** - 27" set of (2)
- T-Bar Anchor Clips:** **1956** (set of 4). For use with mounting bars.
- Auxiliary:** Consult Factory
- Emergency Lamp:** Consult Factory
- Fuse:** Add suffix **F1** or **F2** to Frame-In Kit (F1=120V, F2=277V)
- Chicago Air Plenum:** Consult Factory
- Electronic Ballast:** Consult factory. **EB1**=120V **EB2**=277V

*Black finish recommended only for use with Ceramic Arc Tube Metal Halide.

Labels

UL Suitable for Damp Locations, I.B.E.W.

Job Information	Type:
Job Name:	
Cat. No.:	
Lamp(s):	
Notes:	

Lightolier a Genlyte Thomas Company www.lightolier.com
 631 Airport Road, Fall River, MA 02720 • (508) 679-8131 • Fax (508) 674-4710
 We reserve the right to change details of design, materials and finish.
 © 2011 Genlyte Thomas Group LLC (Lightolier Division) • B0711

LIGHTOLIER[®]



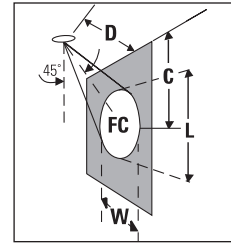
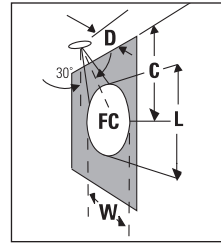
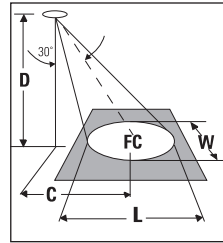
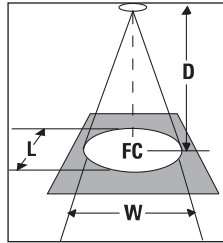
Accent Lighting Performance Data

(FC) is initial footcandles at center of beam. Beam length (L) and beam width (W) are to where the candlepower is reduced to 50% of center beam candlepower.

CBCP is center beam candlepower.

(C) is distance to the center of the beam.

Performance data shown is based on bare lamp photometrics of MasterColor lamps by Philips Lighting. Contact lamp manufacturers for availability and performance.



70 W				0° Aiming Angle			
Lamp	Beam Spread 50% Max CP	CBCP	Rated Life-Hrs	D	FC	L	W
70W PAR38 SP	15°	28000	7500	10'	280	2.6'	2.6'
				15'	124	3.9'	3.9'
				20'	70	5.3'	5.3'
				25'	45	5.6'	5.6'
70W PAR38 FL	30°	16000	7500	8'	250	4.3'	4.3'
				12'	111	6.4'	6.4'
				18'	63	8.8'	8.8'
				20'	40	10.7'	10.7'
70W PAR38 WFL	65°	4000	7500	6'	111	7.6'	7.6'
				8'	63	10.2'	10.2'
				10'	40	12.7'	12.7'
				12'	28	15.3'	15.3'

30° Aiming Angle					
D	C	FC	L	W	
8'	4.6'	284	2.8'	2.4'	
12'	6.0'	126	4.2'	3.6'	
16'	9.2'	71	5.6'	4.9'	
20'	11.5'	45	7.1'	6.1'	
7'	3.5'	212	5.1'	4.3'	
10'	4.0'	104	7.3'	6.2'	
13'	5.8'	61	9.5'	8.0'	
16'	7.5'	41	11.7'	9.9'	
5'	2.9'	104	9.8'	7.4'	
7'	4.0'	53	13.8'	10.3'	
9'	5.2'	32	17.7'	13.2'	
11'	8.4'	21	21.6'	16.2'	

30° Aiming Angle					
D	C	FC	L	W	
4'	6.3'	219	4.4'	2.1'	
6'	10.4'	97	6.7'	3.2'	
8'	13.9'	55	8.9'	4.2'	
10'	17.3'	35	11.1'	5.3'	
3'	5.2'	222	8.2'	3.2'	
4'	6.9'	125	10.9'	4.3'	
5'	8.7'	80	13.7'	5.4'	
6'	10.4'	56	16.4'	6.4'	
2'	3.5'	125	NA	5.1'	
3'	5.2'	56	NA	7.5'	
4'	6.9'	31	NA	10.2'	
5'	8.7'	20	NA	12.7'	

45° Aiming Angle					
D	C	FC	L	W	
6'	6.0'	275	3.2'	2.2'	
9'	9.0'	122	4.6'	3.4'	
12'	12.0'	69	6.4'	4.6'	
15'	15.0'	44	8.0'	5.6'	
5'	5.0'	226	5.8'	3.8'	
7'	7.0'	115	8.1'	5.3'	
9'	9.0'	70	10.4'	6.8'	
11'	11.0'	47	12.7'	8.3'	
3'	3.0'	157	12.9'	3.6'	
5'	5.0'	57	21.4'	5.4'	
7'	7.0'	29	30.0'	9.0'	
9'	9.0'	17	38.6'	16.2'	

100 W				0° Aiming Angle			
Lamp	Beam Spread 50% Max CP	CBCP	Rated Life-Hrs	D	FC	L	W
100W PAR38 SP	15°	40000	7500	15'	178	3.9'	3.9'
				20'	100	5.3'	5.3'
				25'	64	6.6'	6.6'
				30'	44	7.9'	7.9'
100W PAR38 FL	30°	21000	7500	10'	210	5.4'	5.4'
				15'	193	8.0'	8.0'
				20'	53	10.7'	10.7'
				25'	34	13.4'	13.4'
100W PAR38 WFL	65°	6000	7500	6'	167	7.6'	7.5'
				8'	94	10.2'	10.2'
				10'	60	12.7'	12.7'
				12'	42	15.3'	15.3'

30° Aiming Angle					
D	C	FC	L	W	
10'	5.8'	280	3.5'	3.0'	
15'	8.7'	115	4.3'	4.5'	
20'	11.5'	65	7.1'	6.1'	
25'	14.4'	42	8.8'	7.5'	
8'	4.6'	213	5.9'	5.0'	
12'	6.9'	95	8.8'	7.4'	
16'	9.2'	53	11.7'	9.2'	
20'	11.5'	34	14.5'	12.4'	
5'	2.9'	155	5.8'	7.4'	
7'	4.0'	80	13.8'	10.3'	
9'	5.2'	46	17.7'	13.2'	
11'	8.2'	32	24.8'	18.2'	

30° Aiming Angle					
D	C	FC	L	W	
5'	8.7'	200	5.5'	3.5'	
8'	13.8'	76	9.9'	4.2'	
11'	19.1'	41	12.2'	5.8'	
14'	14.2'	28	15.6'	7.4'	
4'	6.9'	164	10.9'	4.3'	
6'	10.4'	73	16.4'	6.4'	
8'	13.9'	41	21.9'	8.5'	
10'	17.3'	26	27.3'	10.7'	
2'	3.5'	188	NA	5.1'	
3'	5.2'	83	NA	7.5'	
4'	6.9'	47	NA	10.3'	
5'	8.7'	30	NA	12.7'	

45° Aiming Angle					
D	C	FC	L	W	
8'	8.0'	221	4.3'	3.0'	
12'	12.0'	98	6.4'	4.5'	
18'	18.0'	55	8.6'	6.0'	
20'	20.0'	35	10.7'	7.4'	
6'	6.0'	206	6.8'	4.5'	
9'	9.0'	92	10.4'	6.8'	
12'	12.0'	52	13.9'	9.1'	
15'	15.0'	33	17.3'	11.4'	
3'	3.0'	235	12.9'	5.4'	
5'	5.0'	95	21.4'	9.0'	
7'	7.0'	43	30.0'	12.5'	
9'	9.0'	25	38.5'	16.2'	

Job Information Type:

Lightolier a Genlyte Thomas Company www.lightolier.com
 631 Airport Road, Fall River, MA 02720 • (508) 679-8131 • Fax (508) 674-4710
 We reserve the right to change details of design, materials and finish.
 © 2011 Genlyte Thomas Group LLC (Lightolier Division) • B0711

LIGHTOLIER[®]