

Ordering Information

Catalog No.	Finishes	Mountings	Lamps
8650TD12 WH	Matte White	All Power Jacks	MR16 TAL with cover glass
8650TD12 BK	Matte Black	(Does not mount into Extender Stems)	50W Max.

Features

- 1. Socket:** turn and lock base ceramic socket wired with 18 ga. stranded Teflon leads with fiberglass outer sleeve.
- 2. Male Jack Connector:** mounted in 3/8" dia. stainless steel stem. Plugs into any 8600 Power Jack. Allows for continuous horizontal rotation.
- 3. Tension Pivot Mount:** die-cast aluminum. Allows for 90° vertical rotation.
- 4. Aiming Lever:** aluminum with plastic knob.
- 5. Lamp Housing:** aluminum tube.
- 6. Stem lock:** Plastic bushing used to lock fixture into Power Jack.
- 7. Set Screw:** Locks horizontal rotation.

Finish

All painted finishes are baked enamel.

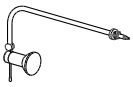
Electrical/Dimming

For dimming information refer to Power Jack specification sheets.

Labels

UL

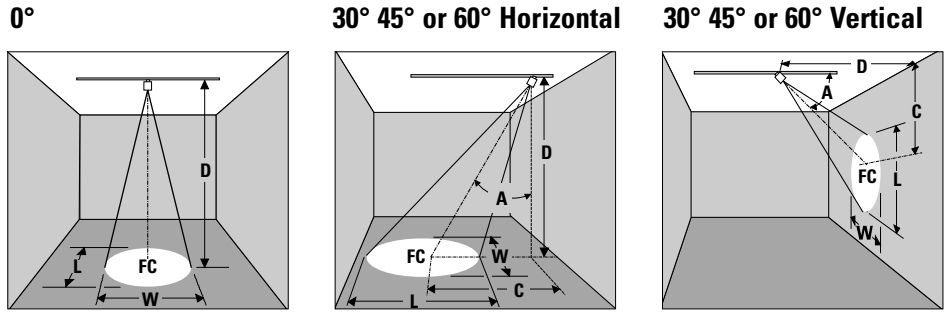
Job Information	Type:
Job Name:	
Cat. No.:	
Lamp(s):	
Notes:	



Lighting Data

Aiming Angle:

- L** Beam length
- W** Beam width
- C** Distance to center of beam
- D** Distance
- A** Aiming angle
- FC** Footcandles
- L** and **W** are the outer points wherethe candlepower drops to 50% of the maximum. **FC** are the initial footcandles at the center of the beam.



Lamp

Beam Spread 50% Max CP	Beam Center C.P. Candelas	Rated Life-Hrs	0° Aiming Angle					A = 30° Aiming Angle					A = 45° Aiming Angle					A = 60° Aiming Angle				
			D	FC	L	W		D	C	FC	L	W	D	C	FC	L	W	D	C	FC	L	W
20W MR16 TL NSP 11°	4500	3500	6'	125	1.2'	1.2'		5'	2.9'	117	1.3'	1.1'	3'	3.0'	177	1.2'	0.8'	2'	3.5'	141	1.6'	0.8'
			8'	70	1.5'	1.5'		7'	4.0'	60	1.8'	1.6'	5'	5.0'	64	1.9'	1.4'	3'	5.2'	63	2.4'	1.2'
			10'	45	1.9'	1.9'		9'	5.2'	36	2.3'	2.0'	7'	7.0'	32	2.7'	1.9'	4'	6.9'	35	3.2'	1.5'
			12'	31	2.3'	2.3'		11'	6.4'	24	2.8'	2.4'	9'	9.0'	20	3.5'	2.5'	5'	8.7'	23	4.0'	1.9'
20W MR16 TL NFL 24°	900	3500	3'	100	1.3'	1.3'		3'	1.7'	65	1.7'	1.5'	2'	2.0'	80	1.8'	1.2'	1'	1.7'	113	2.0'	0.9'
			5'	36	2.1'	2.1'		3'	3.0'	23	2.9'	2.5'	3'	3.0'	35	2.7'	1.8'	2'	3.6'	28	3.0'	1.7'
			7'	18	3.0'	3.0'		7'	4.0'	12	4.0'	3.4'	4'	4.0'	20	3.6'	2.4'	3'	5.2'	13	5.9'	2.6'
			9'	11	3.8'	3.8'		9'	5.2'	7	5.2'	4.4'	5'	5.0'	13	4.5'	3.0'	4'	6.9'	7	7.9'	3.4'
20W MR16 TL FL 36°	450	3500	2'	113	1.3'	1.3'		2'	1.2'	73	1.8'	1.5'	2'	2.0'	40	2.9'	1.8'	1'	1.7'	56	3.8'	1.3'
			3'	50	1.9'	1.9'		3'	1.7'	32	2.7'	2.3'	3'	3.0'	18	4.4'	2.8'	2'	3.5	14	7.6'	2.6'
			4'	28	2.6'	2.6'		4'	2.3'	18	3.6'	3.0'	4'	4.0'	10	5.8'	3.7'	3'	5.2'	6	11.4'	3.9'
			5'	18	3.2'	3.2'		5'	2.9'	12	4.5'	3.8'	5'	5.0'	6	7.3'	4.6'	4'	6.9'	4	15.2'	5.2'
35W MR16 TL VNSP 8°	8100	3500	7'	165	1.0'	1.0'		6'	3.5'	146	1.1'	1.0'	4'	4.0'	179	1.1'	0.8'	2'	3.5'	253	1.1'	0.6'
			10'	81	1.4'	1.4'		9'	5.2'	65	1.7'	1.5'	6'	6.0'	80	1.7'	1.2'	3'	5.2'	113	1.7'	0.8'
			13'	48	1.8'	1.8'		12'	6.9'	37	2.2'	1.9'	8'	8.0'	45	2.2'	1.6'	4'	6.9'	63	2.3'	1.1'
			16'	32	2.2'	2.2'		15'	8.7'	23	2.8'	2.4'	10'	12.0'	29	2.8'	2.0'	5'	8.7'	41	2.8	1.4'
35W MR16 TL SP 18°	3240	3500	6'	90	1.9'	1.9'		5'	2.9'	84	2.1'	1.8'	3'	3.0'	127	1.9'	1.3'	2'	3.5'	101	2.7'	1.3'
			8'	51	2.5'	2.5'		7'	4.0'	43	3.0'	2.6'	5'	5.0'	46	3.2'	2.2'	3'	5.2'	45	4.1'	1.9'
			10'	32	3.2'	3.2'		9'	5.2'	26	3.8'	3.3'	7'	7.0'	23	4.5'	3.1'	4'	6.9'	25	5.5'	2.5'
			12'	23	3.8'	3.8'		11'	6.4'	17	4.7'	4.0'	9'	9.0'	14	5.8'	4.0'	5'	8.7'	15	6.9'	3.2'
35W MR16 TL FL 38°	870	3500	3'	97	2.1'	2.1'		9'	11	6.2'	6.2'		9'	5.2'	7	8.6'	7.2'	5'	5.0'	12	7.8'	4.9'
			5'	35	3.4'	3.4'		3'	1.7'	63	2.9'	2.4'	2'	2.0'	77	3.1'	1.9'	1'	1.7'	109	4.3'	1.4'
			7'	18	4.8'	4.8'		5'	2.9'	23	4.8'	4.0'	3'	3.0'	34	4.7'	2.9'	2'	3.5	27	8.6'	2.8'
								4'	4.0'	12	6.7'	5.6'	4'	4.0'	19	6.3'	3.9'	3'	5.2'	12	12.8'	4.1'
50W MR16 TL NSP 10°	10800	3500	8'	189	1.4'	1.4'		20'	27	3.5'	3.5'		16'	9.2'	27	3.7'	3.2'	11'	11.0'	32	3.9'	2.7'
			12'	75	2.1'	2.1'		5'	5.0'	143	1.6'	1.4'	5'	5.0'	153	1.8'	1.2'	3'	5.2'	150	2.1'	1.0'
			16'	42	2.8'	2.8'		10'	5.8'	70	2.3'	2.0'	7'	7.0'	78	2.5'	1.7'	4'	6.9	84	2.9'	1.4'
								13'	7.5'	42	3.0'	2.5'	9'	9.0'	47	3.2'	2.2'	5'	8.7'	54	3.6'	1.7'
50W MR16 TL NFL 21°	3330	3500	6'	93	2.2'	2.2'		12'	23	4.4'	4.4'		11'	6.4'	18	5.5'	4.7'	6'	10.4'	38	4.3'	2.1'
			8'	52	3.0'	3.0'		5'	2.9'	87	2.5'	2.1'	3'	3.0'	131	2.3'	1.6'	9'	9.0'	15	6.9'	4.7'
			10'	33	3.7'	3.7'		7'	4.0'	44	3.5'	3.0'	5'	5.0'	47	3.8'	2.6'	2'	3.5'	104	3.3'	1.5'
								9'	5.2'	27	4.5'	3.9'	7'	7.0'	24	5.4'	3.7'	3'	5.2'	46	5.0'	2.2'
50W MR16 TL FL 38°	1395	3500	3'	155	2.1'	2.1'		9'	17	6.2'	6.2'		9'	5.2'	11	8.6'	7.2'	5'	8.7'	17	8.3'	3.7'
			5'	56	3.4'	3.4'		3'	1.7'	101	2.9'	2.4'	2'	2.0'	123	3.1'	1.9'	5'	5.0'	20	7.8'	4.9'
			7'	28	4.8'	4.8'		5'	2.9'	36	4.8'	4.0'	3'	3.0'	56	4.7'	2.9'	5'	5.0'	20	7.8'	4.9'
								7'	4.0'	18	6.7'	5.6'	4'	4.0'	31	6.3'	3.9'	1'	1.7'	174	4.3'	1.4'
50W MR16 TL WFL 60°	630	3500	3'	70	3.5'	3.5'		9'	8	10.4'	10.4'		9'	5.2'	5	15.6'	12.0'	3'	5.2'	19	12.8'	4.1'
			5'	25	5.8'	5.8'		3'	1.7'	45	5.2'	4.0'	2'	2.0'	56	6.9'	3.3'	4'	6.9'	11	17.1'	5.5'
			7'	13	8.1'	8.1'		5'	2.9'	15	8.7'	6.7'	3'	3.0'	25	10.4'	4.9'	5'	5.0'	9	17.3'	8.2'
								7'	4.0'	8	12.1'	9.3'	4'	4.0'	14	13.9'	6.5'	1'	1.7'	79	†	2.3'

† Exceeds usable limits

LIGHTOLIER®

Job Information Type:

Lightolier a Genlyte Thomas Company www.lightolier.com
 631 Airport Road, Fall River, MA 02720 • (508) 679-8131 • Fax (508) 674-4710
 We reserve the right to change details of design, materials and finish.
 © 2002 Genlyte Thomas Group LLC (Lightolier Division) • A0902