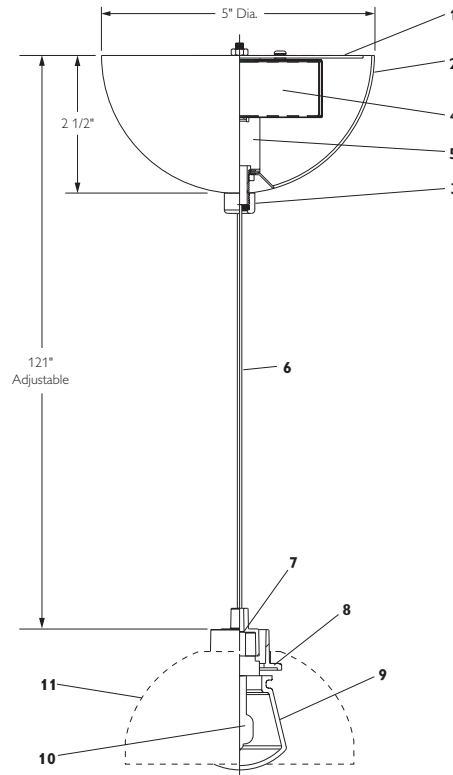


# 86130

## Decorative Lytepoints, 10' Cable or Cord Pendant

Page 1 of 2



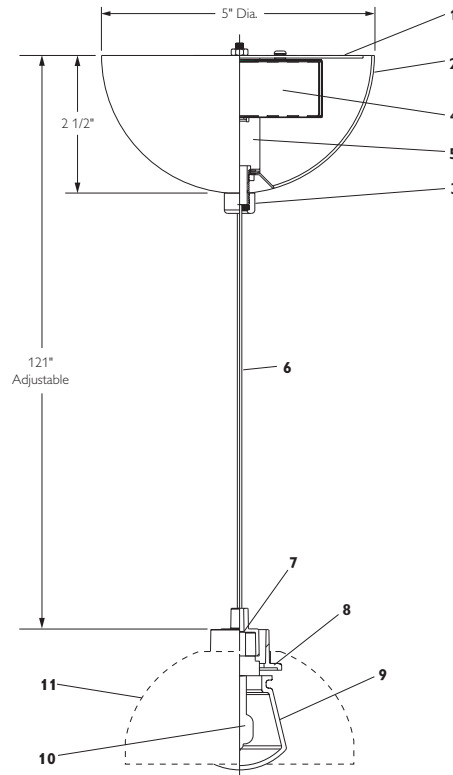
### Ordering Information

Catalog No.	Description	Size	Lamping (by others)
86130AL	Satin aluminum	10' Coaxial cable	35W 12V: T-4
86130WH	Matte white	10' Coaxial cable	Tungsten Halogen
86132BK	Matte black	10' Flexible cord	Bi-Pin (G6.35) Base
86132WH	Matte white	10' Flexible cord	
86133AL	Satin aluminum		
86133WH	Matte white		
86133BK	Matte black		

Job Information	Type:
Job Name:	
Cat. No.:	
Notes:	

**PHILIPS**  
**LIGHTOLIER**

## Decorative Lytepoints, 10' Cable or Cord Pendant



### Features

1. **Mounting Plate:** 18 ga. galvanized steel.
2. **Canopy:** 18 ga. steel. See above chart for finish.
3. **Knob:** Required to secure canopy to mounting plate.
4. **Transformer:** Electronic 35W, low voltage (12V).  
Input 120V, 50/60hz; input current 0.625A.
5. **Transformer Bracket:** 18 ga. steel. Gloss white.
6. **Electrical Cord:** 2-Conductor braided coaxial cable or flexible cord.
7. **Holder Casting:** Die cast aluminum alloy.
8. **Shade Support:** Die cast aluminum alloy.
9. **Lamp Guard:** Satin finished glass provided for effective light diffusion.
10. **Lamp:** 35W 12V T-4 Tungsten Halogen  
Bi-Pin (G6.35) base, (by others).
11. **Shade / Diffuser:** See Specification Sheet 42232 for details.

### Electrical

Bi-Pin ceramic socket having a 6.35mm pin spacing. Pre-wired with braided coaxial cable.

### Labels

UL Listed, Suitable for Dry Locations Only.



Philips Lightolier  
e: lol.webmaster@philips.com  
t: (508) 679-8131  
w: www.lightolier.com

86130 May 10, 2011

Specifications are subject to change without notice.  
© Koninklijke Philips Electronics N.V., 2011. All rights reserved.

<b>Job Information</b>	<b>Type:</b>
------------------------	--------------