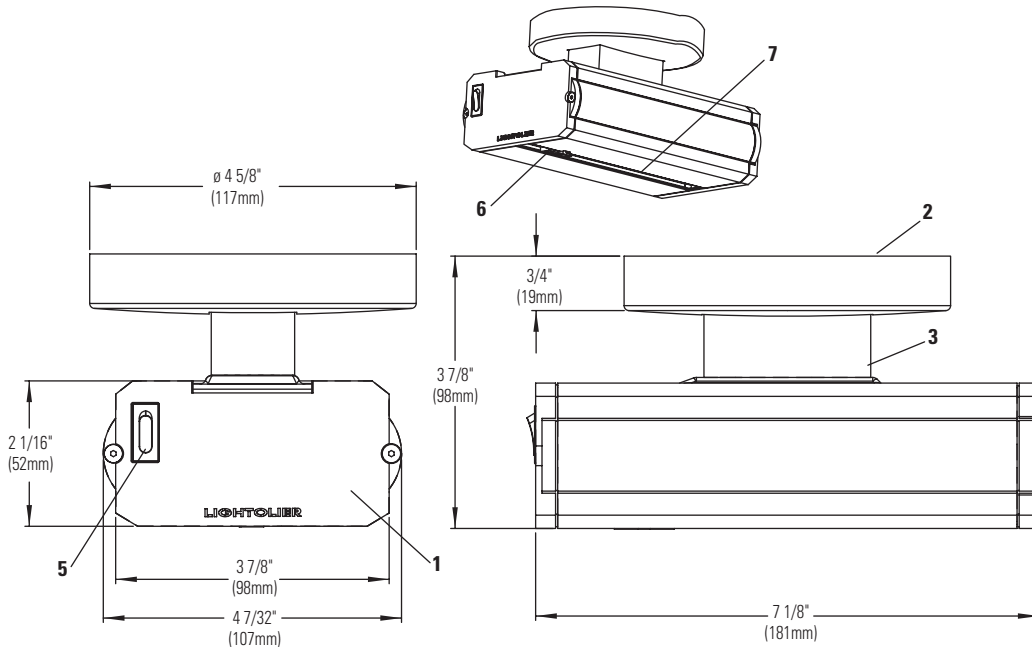


# Lytespan® Accent Lighting System **83CY70E**



## Ordering Information

| Catalog No.                         | Finishes  | Track Mountings   | Luminaires  | Lamp                     |
|-------------------------------------|---|---|---|--------------------------|
| 83CY70EWH<br>83CY70EBK<br>83CY70EAL | Matte White<br>Matte Black<br>Metallic Aluminum | Intended for ceiling mounting and surface wall mounting 5' or greater from floor. No remote mounting. | Use one of:<br><b>8300 8303 8313</b><br><b>8304 8314 8306 8316</b><br><b>8307 8317 8308 8318</b><br><b>83W4 83W6 83W7</b> | 70W Ceramic Metal Halide |

## Features

- Housing:** .10" thick extruded aluminum body with die cast end caps.
- Canopy:** 0.06" aluminum canopy.
- Mounting Arm:** 0.07" extruded aluminum housing.
- Cross Bar:** (not shown) .074" galvanized steel with positive rotation stop. Provides 350° rotation and positive lock every 45°. Mounting to J-Box provides simple hands-free wiring.
- On/Off Switch:** Rocker switch to disconnect power to the ballast.
- Power Receptacle:** 5kv rated, insulated. Accepts power connector from fixture.
- Integral Track Groove:** To mount PowerArc™ modular spots and wall wash fixtures.

## Electrical

Magnetic Ballast

**Input Voltage:** 120 to 277V, 60Hz

**Power Factor:** High

**Input Power:** 79W

**Max Input Current:** 0.67A

**Total Harmonic Distortion:** <15%

**ANSI Code:** M143 or M98

Do not use on a dimming circuit.

## Finish

All painted finishes baked enamel.

## Labels

cUL, UL

## Patents

Products shown here are protected by applicable patents and patents pending.

## Job Information

## Type:

**Job Name:**

**Cat. No.:**

**Lamp(s):**

**Notes:**

Lightolier a Genlyte company

www.lightolier.com

631 Airport Road, Fall River, MA 02720 • (508) 679-8131 • Fax (508) 674-4710

We reserve the right to change details of design, materials and finish.

©2006 Genlyte Group LLC • C0406

**LIGHTOLIER**