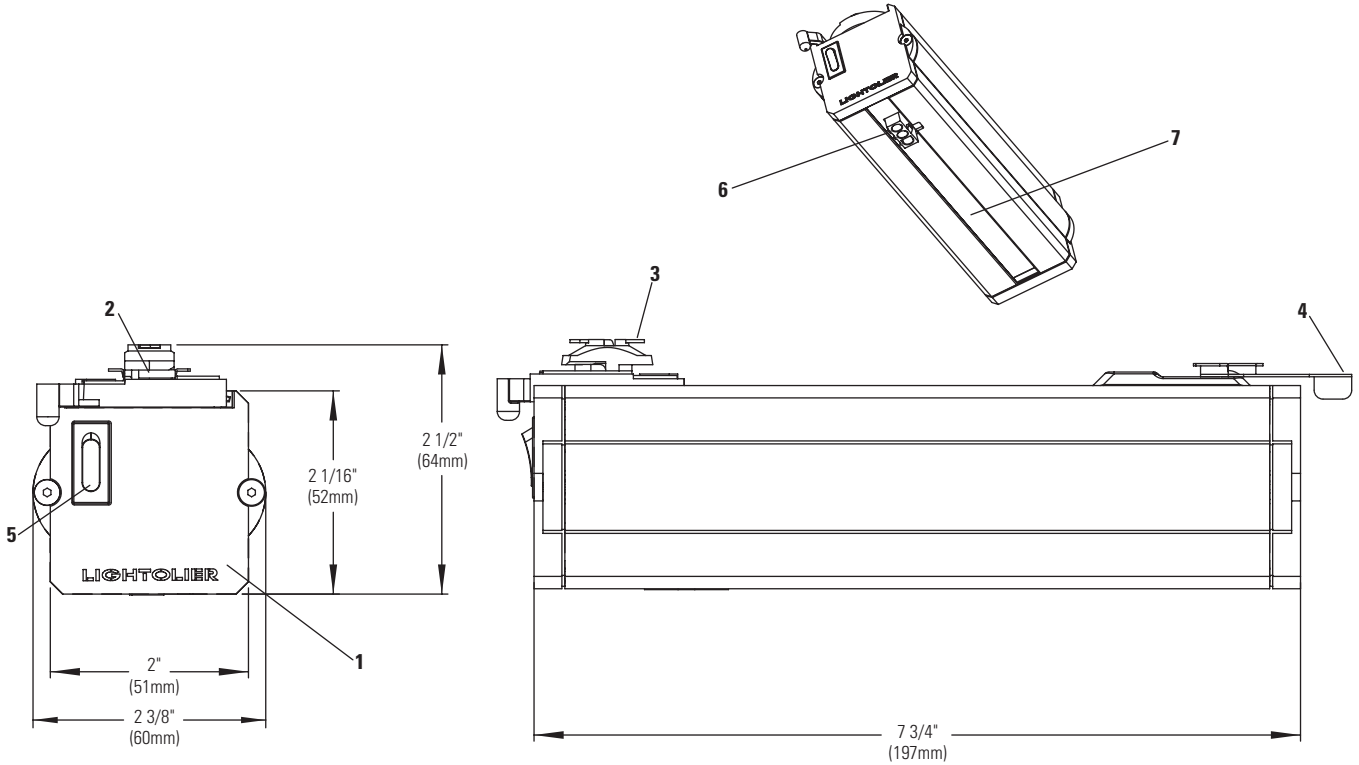




Lytespan® Accent Lighting System **83B20EGE**



Ordering Information

Catalog No.	Finishes	Track Mountings	Luminaires	Lamp
83B20EWHGE 83B20EBKGE 83B20EALGE	Matte White Matte Black Metallic Aluminum	All Lytespan® Track Systems and Multi-point. DO NOT USE with any other mounting accessories, stem mounted Radius® Track, ProSpec® Track systems, or ATOM®. Can be wall mounted. NO REMOTE MOUNTING	Use one of: 8304 8314 83W4	20W Ceramic Metal Halide

Features

- Housing:** .10" thick extruded aluminum body with die cast end caps.
- Track Attachment Fitting:** Molded polycarbonate; rotates into track, integral polarity key guard.
- Brass Contact:** Extends for connection to second circuit in Advent Lytespan track.
- Safety Locking Lever:** Locks and supports module in track.
- On/Off Switch:** Rocker switch to disconnect power to the ballast.
- Power Connector:** 5kv rated, insulated. Accepts power connector from fixture.
- Integral Track Groove:** To mount PowerArc® Modular spots and wall wash fixtures.

Electrical

Electronic Ballast:	GE Item No. GEMH20MLF120
Input Voltage:	120V, 50/60Hz
Power Factor:	>56%
Input Power:	23W
Max. Input Current:	0.36A
Total Harmonic Distortion:	<79%
ANSI Code:	M156

Do not use on dimming circuit.

Finish

All painted finishes are baked enamel.

Labels

UL, cUL

Job Information	Type:
Job Name:	
Cat. No.:	
Lamp(s):	
Notes:	

Lightolier a Genlyte company www.lightolier.com
 631 Airport Road, Fall River, MA 02720 • (508) 679-8131 • Fax (508) 674-4710
 We reserve the right to change details of design, materials and finish.
 © 2006 Genlyte Group LLC • A0806

LIGHTOLIER®