

**Ordering Information**

Catalog No.	Finishes	Track Mountings	Lamps
8298E WH 8298E BK	Matte White Matte Black	All Lytespan Track Systems and Multipoint. DO NOT USE with any other mounting accessories, horizontally mounted wall track, or stem mounted radius track.	PAR38, 100W Metal Halide

**Features**

- 1. Ring:** Die-cast aluminum with cool grip insulation band; a high temperature silicone rubber which allows aiming adjustments while fixture is on.
- 2. Socket:** 5KV pulse rated ceramic body socket with nickel plated lamp contacts; leads encased in silicone coated fiberglass sleeving.
- 3. Socket Boot:** High temperature insulating silicone rubber.
- 4. Ballast:** High Power Factor magnetic HID ballast. Housed in aluminum extrusion.
- 5. Track Attachment Fitting:** Molded polycarbonate, rotates into track; integral polarity keyguard.
- 6. Locking Lever:** Safety locking lever locks and supports fixture in track.
- 7. Brass Contact:** Extends for connection to second circuit in Advent® Lytespan track.
- 8. Pivots:** 180° horizontal and vertical rotation with tensioned mounts for controlled aim.
- 9. Spring:** Spring steel, holds lamp, lens and louver accessories in place.

**Options & Accessories**

- Beam Elongator    **AF4AS**
- Beam Smoother    **AF4LF**
- Louver (Hex Cell)    **AL4HC**

**Finishes**

All painted finishes powder coated baked enamel.

**Electrical**

Input Watts: 116  
Line Current: 1.11 Amps max. (16 Volts)

**Labels**

UL, I.B.E.W.

Job Information	Type:
<b>Job Name:</b>	
<b>Cat. No.:</b>	
<b>Lamp(s):</b>	
<b>Notes:</b>	

Lightolier a Genlyte Thomas Company    www.lightolier.com  
631 Airport Road, Fall River, MA 02720 • (508) 679-8131 • Fax (508) 674-4710  
We reserve the right to change details of design, materials and finish.  
© 2002 Genlyte Thomas Group LLC (Lightolier Division) • A0902

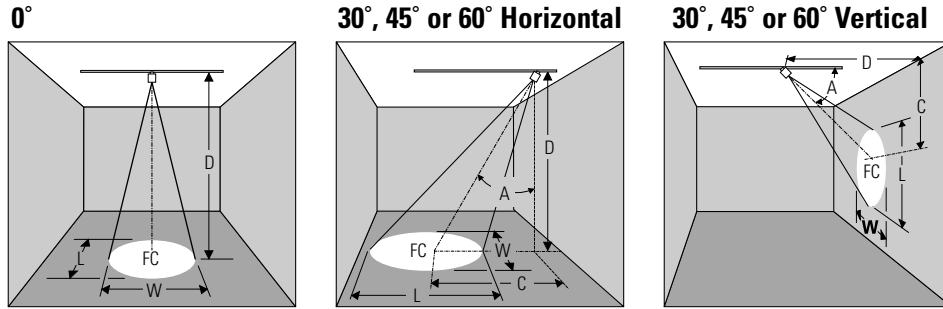
**LIGHTOLIER**®



**Lighting Data**  
**Aiming Angle**

- L** Beam Length
- W** Beam Width
- C** Distance to center beam
- D** Distance
- A** Aiming Angle
- FC** Footcandles

L and W are the outer points where the candle power drops to 50% of the maximum. FC are the initial footcandles at the center of the beam.



**LAMP**

Beam Spread 50% Max CP	Beam Center C.P. Candelas	Rated Life-Hrs	0° AIMING ANGLE				A=30° AIMING ANGLE					A=45° AIMING ANGLE					A=60° AIMING ANGLE				
			D	FC	L	W	D	C	FC	L	W	D	C	FC	L	W	D	C	FC	L	W
 100W PAR38 SP 15°	40000	7500	15'	178	3.9'	3.9'	10'	5.8'	280	3.5'	3.0'	8'	8.0'	221	4.3'	3.0'	5'	8.7'	200	5.6'	2.6'
			20'	100	5.3'	5.3'	15'	6.7'	115	5.3'	4.5'	12'	12.0'	98	6.4'	4.5'	8'	13.9'	78	8.9'	4.2'
			25'	64	6.6'	6.6'	20'	11.5'	65	7.1'	6.1'	16'	16.0'	55	8.6'	6.0'	11'	19.1'	41	12.2'	5.8'
			30'	44	7.9'	7.9'	25'	14.4'	42	8.8'	7.6'	20'	20.0'	35	10.7'	7.4'	14'	14.2'	26	15.6'	7.4'
 100W PAR38 FL 30°	21000	7500	10'	210	5.4'	5.4'	8'	4.6'	213	5.9'	5.0'	6'	6.0'	206	6.9'	4.5'	4'	6.9'	164	10.9'	4.3'
			15'	193	8.0'	3.9'	12'	6.9'	95	8.8'	7.4'	9'	9.0'	92	10.4'	6.8'	6'	10.4'	73	16.4'	6.4'
			20'	53	10.7'	10.7'	16'	9.2'	53	11.7'	9.9'	12'	12.0'	52	13.9'	9.1'	8'	13.9'	41	21.9'	8.6'
			25'	34	13.4'	13.4'	20'	11.5'	34	14.6'	12.4'	15'	15.0'	33	17.3'	11.4'	10'	17.3'	26	27.3'	10.7'
 100W PAR38 WFL 65°	6000	7500	6'	167	7.6'	7.6'	5'	2.9'	155	9.8'	7.4'	3'	3.0'	236	12.9'	5.4'	2'	3.5'	188	NA	5.1'
			8'	94	10.2'	10.2'	7'	4.0'	80	13.8'	10.3'	5'	5.0'	95	21.4'	9.0'	3'	5.2'	83	NA	7.6'
			10'	60	12.7'	12.7'	9'	5.2'	48	17.7'	13.2'	7'	7.0'	43	30.0'	12.6'	4'	6.9'	47	NA	10.2'
			12'	42	15.3'	15.3'	11'	8.4'	32	21.6'	16.2'	9'	9.0'	26	38.6'	16.2'	5'	8.7'	30	NA	12.7'

\*Lamps are MasterColor Metal Halide by Philips Lighting.  
Correlated Color Temperature = 3000K  
Color Rendering Index = 83

<b>Job Information</b>	<b>Type:</b>
------------------------	--------------

Lightolier a Genlyte Thomas Company [www.lightolier.com](http://www.lightolier.com)  
631 Airport Road, Fall River, MA 02720 • (508) 679-8131 • Fax (508) 674-4710  
We reserve the right to change details of design, materials and finish.  
© 2002 Genlyte Thomas Group LLC (Lightolier Division) • A0902

**LIGHTOLIER®**