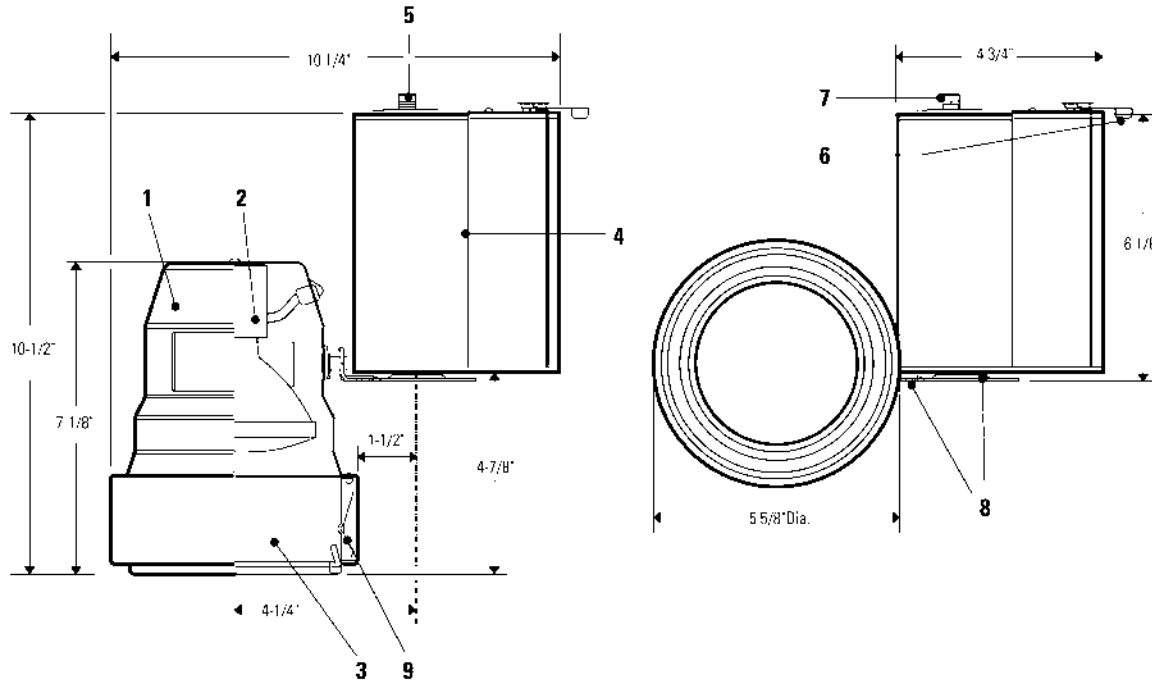




8287ACEWH
8287ACEBK
8288ACEWH
8288ACEBK



Ordering Information

Catalog No.	Finishes	Mountings	Lamps
8287 ACE WH	Matte White	All Lytespan® Track Systems and Multipoint. DO NOT USE with any other mounting accessories, horizontally mounted wall track or stem mounted Radius® Track.	39W PAR30 Metal Halide
8287 ACE BK	Matte Black		
8288 ACE WH	Matte White	horizontally mounted wall track or stem mounted Radius® Track.	70W PAR30/38 Metal Halide
8288 ACE BK	Matte Black		

Features

- Housing:** 0.06" thick aluminum body.
- Socket:** 5kv pulse rated ceramic body socket with nickel plated lamp contacts; leads enclosed in silicone coated fiberglass sleeving.
- Accessory Holder:** 0.05" aluminum; snaps in and out of fixture. Holds a maximum of two accessories.
- Ballast:** High power factor, electronic; housed in aluminum extrusion.
- Track Attachment Fitting:** Molded polycarbonate; rotates into track; integral polarity keyguard.
- Safety Locking Lever:** Locks and supports fixture in track.
- Brass Contact:** Extends for connection to second circuit in Advent® Lytespan track.
- Pivots:** 180° horizontal and vertical rotation with tensioned mounts for controlled aim.
- Springs:** Spring steel, holds accessory holder in place.

Electrical

Electronic Ballast:
 Lamp Wattage: 39W 70W
 Input Volt.: 120VAC 120VAC
 Input Wattage: 44W 78W
 Line Current: .37 Amps .67 Amps
 ANSI Code: M130 M98

Accessories

4 3/4" dia. series: Filters, lenses, screens and louvers.
Holds two accessories maximum.

Finish

All painted finishes are powder coated baked enamel.

Labels

UL, IBEW.

Job Information	Type:
Job Name:	
Cat. No.:	
Lamp(s):	
Notes:	

Lightolier a Genlyte company www.lightolier.com
 631 Airport Road, Fall River, MA 02720 • (508) 679-8131 • Fax (508) 674-4710
 We reserve the right to change details of design, materials and finish.
 © 2007 Genlyte Group LLC • B0507

LIGHTOLIER®

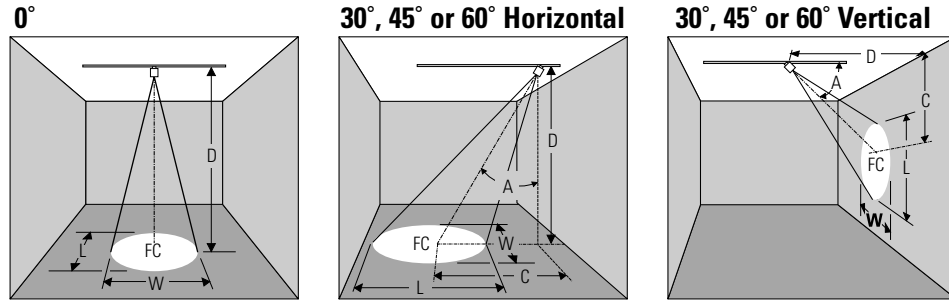


Lighting Data

Aiming Angle

- L** Beam Length
- W** Beam Width
- C** Distance to center beam
- D** Distance
- A** Aiming Angle
- FC** Footcandles

L and **W** are the outer points where the candle power drops to 50% of the maximum. **FC** are the initial footcandles at the center of the beam.



LAMP	Beam Spread 50% Max CP	Beam Center C.P. Candelas	Rated Life-Hrs	0° AIMING ANGLE				A=30° AIMING ANGLE				A=45° AIMING ANGLE				A=60° AIMING ANGLE						
				D	FC	L	W	D	C	FC	L	W	D	C	FC	L	W	D	C	FC	L	W
 70W PAR30* SP 10°	10°	48000	6000	15'	213	2.6'	2.6'	10'	5.8'	312	2.3'	2.0'	8'	8.0'	265	2.8'	2.0'	5'	8.7'	240	3.6'	1.7'
				20'	120	3.5'	3.5'	15'	8.7'	139	3.5'	3.0'	12'	12.0'	118	4.2'	3.0'	8'	13.9'	94	5.7'	2.8'
				25'	77	4.4'	4.4'	20'	11.5'	78	4.7'	4.0'	16'	16.0'	66	5.6'	4.0'	11'	19.1'	50	7.9'	3.8'
				30'	53	5.2'	5.2'	25'	14.4'	50	5.8'	5.1'	20'	20.0'	42	7.8'	4.9'	14'	24.2'	31	10.0'	4.9'
 70W PAR30* FL 40°	40°	7000	6000	7'	143	5.1'	5.1'	6'	3.5'	126	6.1'	5.0'	4'	4.0'	155	6.7'	4.1'	2'	3.5'	219	9.7'	2.9'
				10'	70	7.3'	7.3'	9'	5.2'	58	9.1'	7.6'	6'	6.0'	69	10.1'	6.2'	3'	5.2	97	14.5'	4.4'
				13'	41	9.5'	9.5'	12'	6.9'	32	12.2'	10.1'	8'	8.0'	39	13.4'	8.2'	4'	6.9'	55	19.3'	5.8'
				16'	27	11.6'	11.6'	15'	8.7'	20	15.2'	12.6'	10'	10.0'	25	16.8'	10.3'	5'	8.7'	35	24.2'	7.3'
 70W PAR38 SP 15°	15°	28000	7500	10'	280	2.6'	2.6'	8'	4.6'	284	2.8'	2.4'	6'	6.0'	275	3.2'	2.2'	4'	6.9'	219	4.4'	2.1'
				15'	124	3.9'	3.9'	12'	6.9'	126	4.2'	3.6'	9'	9.0'	122	4.8'	3.4'	6'	10.4'	97	6.7'	3.2'
				20'	70	5.3'	5.3'	16'	9.2'	671	5.8'	4.9'	12'	12.0'	69	6.4'	4.5'	8'	13.9'	55	8.9'	4.2'
				25'	45	6.6'	6.6'	20'	11.5'	45	7.1'	6.1'	15'	15.0'	44	8.0'	5.6'	10'	17.3'	35	11.1'	5.3'
 70W PAR38 FL 30°	30°	16000	7500	8'	250	4.3'	4.3'	7'	3.5'	212	5.1'	4.3'	5'	5.0'	226	5.8'	3.8'	3'	5.2'	222	8.2'	3.2'
				12'	111	6.4'	6.4'	10'	4.0'	104	7.3'	6.2'	7'	7.0'	115	8.1'	5.3'	4'	6.9'	125	10.9'	4.3'
				18'	63	8.8'	8.8'	13'	5.8'	61	9.5'	8.0'	9'	9.0'	70	10.4'	6.8'	5'	8.7'	80	13.7'	5.4'
				20'	40	10.7'	10.7'	16'	7.5'	41	11.7'	9.9'	11'	11.0'	47	12.7'	8.3'	6'	10.4'	56	16.4'	6.4'
 70W PAR38 WFL 65°	65°	4000	7500	6'	111	7.6'	7.6'	5'	2.9'	104	9.8'	7.4'	3'	3.0'	157	12.9'	3.8'	2'	3.5'	125	NA	5.1'
				8'	63	10.2'	10.2'	7'	4.0'	53	13.8'	10.3'	5'	5.0'	57	21.4'	5.4'	3'	5.2'	58	NA	7.6'
				10'	40	12.7'	12.7'	9'	5.2'	32	17.7'	13.2'	7'	7.0'	29	30.0'	9.0'	4'	6.9'	31	NA	10.2'
				12'	28	15.3'	15.3'	11'	8.4'	21	21.6'	16.2'	9'	9.0'	17	38.6'	16.2'	5'	8.7'	20	NA	12.7'
 39W PAR30* SP 10°	10°	42000	9000	15'	187	2.6'	2.6'	10'	5.8'	273	2.3'	2.0'	8'	8.0'	232	2.8'	2.0'	5'	8.7'	210	3.6'	1.7'
				20'	105	3.5'	3.5'	15'	8.7'	121	3.5'	3.0'	12'	12.0'	103	4.2'	3.0'	8'	13.9'	82	5.7'	2.8'
				25'	67	4.4'	4.4'	20'	11.5'	68	4.7'	4.0'	16'	16.0'	58	5.5'	4.0'	11'	19.1'	43	7.9'	3.8'
				30'	47	5.2'	5.2'	25'	14.4'	44	5.8'	5.1'	22'	22.0'	31	7.8'	5.4'	14'	24.2'	27	10.0'	4.9'
 39W PAR30* FL 30°	30°	6500	9000	7'	133	3.8'	3.8'	6'	3.5'	117	4.4'	3.7'	4'	4.0'	144	4.6'	3.0'	2'	3.5'	203	5.5'	2.1'
				10'	65	5.4'	5.4'	9'	5.2'	52	6.6'	5.6'	6'	6.0'	64	6.9'	4.5'	3'	5.2	90	8.2'	3.2'
				13'	38	7.0'	7.0'	12'	6.9'	29	8.8'	7.4'	8'	8.0'	36	9.2'	6.1'	4'	6.9'	51	10.9'	4.3'
				16'	25	6.8'	8.6'	15'	8.7'	19	11.0'	9.9'	10'	10.0'	23	11.5'	7.6'	5'	8.7'	33	13.7'	5.4'

*Lamps are MasterColor Metal Halide by Philips Lighting.
Correlated Color Temperature = 3000K
Color Rendering Index : 39W= 81, 70W=83

Job Information

Type:

Lightolier a Genlyte company www.lightolier.com
631 Airport Road, Fall River, MA 02720 • (508) 679-8131 • Fax (508) 674-4710
We reserve the right to change details of design, materials and finish.
© 2007 Genlyte Group LLC • 80507