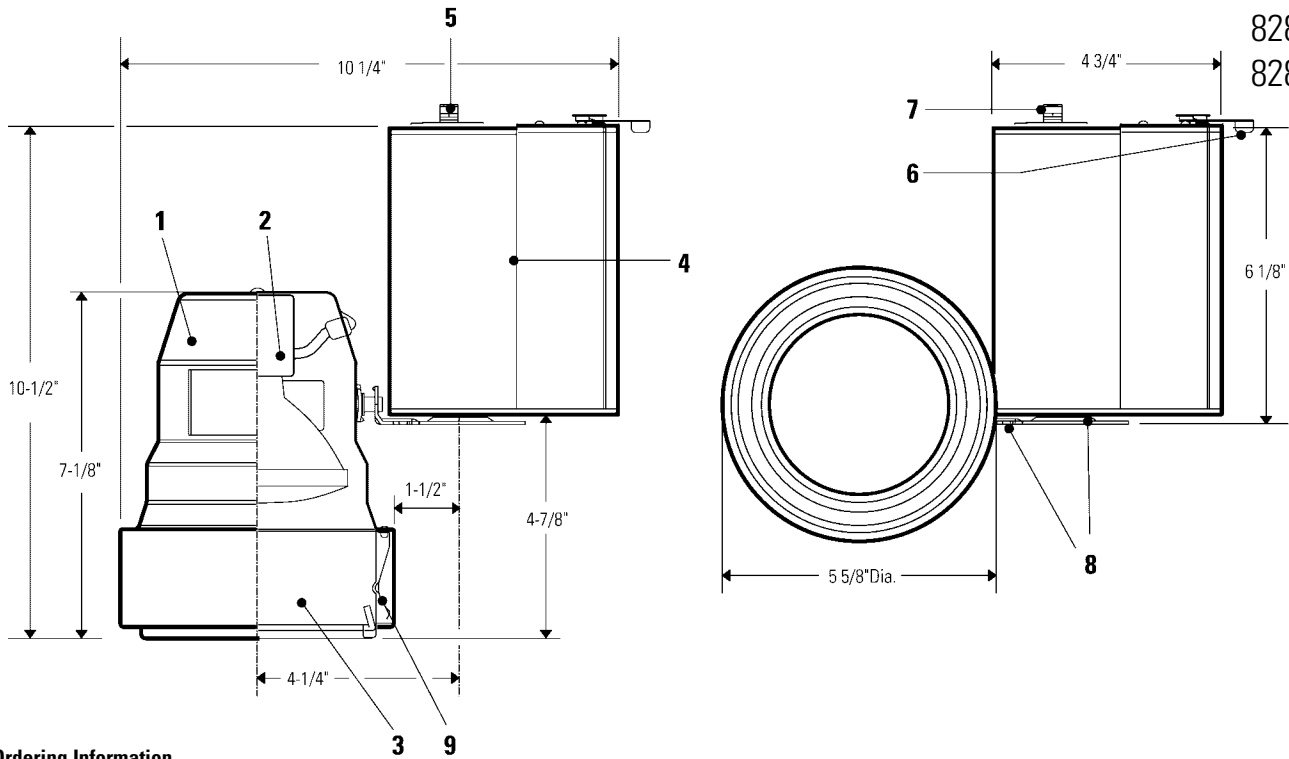


8287ACWH
8287ACBK
8288ACWH
8288ACBK



Ordering Information

Catalog No.	Finishes	Mountings	Lamps
8287 AC WH	Matte White	All Lytespan® Track Systems and Multipoint. DO NOT USE with any other mounting accessories, horizontally mounted wall track or stem mounted Radius® Track.	39W PAR30 Metal Halide
8287 AC BK	Matte Black		
8288 AC WH	Matte White		70W PAR38 Metal Halide
8288 AC BK	Matte Black		70W PAR30 Metal Halide (Osram Sylvania Only)

Features

- Housing:** 0.06" thick aluminum body.
- Socket:** 5kv pulse rated ceramic body socket with nickel plated lamp contacts; leads enclosed in silicone coated fiberglass sleeving.
- Accessory Holder:** 0.05" aluminum; snaps in and out of fixture. Holds a maximum of two accessories.
- Ballast:** High power factor, electronic; housed in aluminum extrusion.
- Track Attachment Fitting:** molded polycarbonate; rotates into track; integral polarity keyguard.
- Safety Locking Lever:** locks and supports fixture in track.
- Brass Contact:** extends for connection to second circuit in Advent® Lytespan track.
- Pivots:** 180° horizontal and vertical rotation with tensioned mounts for controlled aim.
- Springs:** spring steel, holds accessory holder in place.

Electrical

Magnetic Ballast:
Lamp Wattage: 39W 70W
Input Volt.: 120VAC 120VAC
Input Wattage: 53W 94W
Line Current: .442 Amps .7833 Amps
ANSI Code: M130 M98

Accessories

4 3/4" dia. series: Filters, lenses, screens and louvers.
Holds two accessories maximum.

Finish

All painted finishes are powder coated baked enamel.

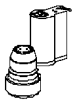
Labels

UL, IBEW.

Job Information	Type:
Job Name:	
Cat. No.:	
Lamp(s):	
Notes:	

Lightolier a Genlyte Thomas Company www.lightolier.com
631 Airport Road, Fall River, MA 02720 • (508) 679-8131 • Fax (508) 674-4710
We reserve the right to change details of design, materials and finish.
© 2002 Genlyte Thomas Group LLC (Lightolier Division) • A0902

LIGHTOLIER

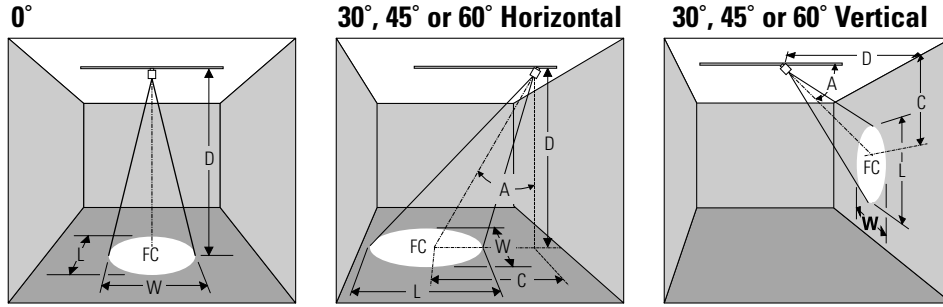


Lighting Data

Aiming Angle

- L** Beam Length
- W** Beam Width
- C** Distance to center beam
- D** Distance
- A** Aiming Angle
- FC** Footcandles

L and W are the outer points where the candle power drops to 50% of the maximum. FC are the initial footcandles at the center of the beam.



LAMP

Beam Spread 50% Max CP	Beam Center C.P. Candelas	Rated Life-Hrs
10°	48000	6000
40°	7000	6000
15°	28000	7500
30°	16000	7500
65°	4000	7500
10°	42000	9000
30°	6500	9000

0° AIMING ANGLE					A=30° AIMING ANGLE					A=45° AIMING ANGLE					A=60° AIMING ANGLE				
D	FC	L	W		D	C	FC	L	W	D	C	FC	L	W	D	C	FC	L	W
15'	213	2.6'	2.6'		10'	5.8'	312	2.3'	2.0'	8'	8.0'	265	2.8'	2.0'	5'	8.7'	240	3.6'	1.7'
20'	120	3.5'	3.5'		15'	8.7'	139	3.5'	3.0'	12'	12.0'	118	4.2'	3.0'	8'	13.9'	94	5.7'	2.8'
25'	77	4.4'	4.4'		20'	11.5'	78	4.7'	4.0'	16'	16.0'	66	5.6'	4.0'	11'	19.1'	50	7.9'	3.8'
30'	53	5.2'	5.2'		25'	14.4'	50	5.8'	5.1'	20'	20.0'	42	7.8'	4.9'	14'	24.2'	31	10.0'	4.9'
7'	143	5.1'	5.1'		6'	3.5'	126	6.1'	5.0'	4'	4.0'	155	6.7'	4.1'	2'	3.5'	219	9.7'	2.9'
10'	70	7.3'	7.3'		9'	5.2'	58	9.1'	7.6'	6'	6.0'	69	10.1'	6.2'	3'	5.2'	97	14.5'	4.4'
13'	41	9.5'	9.5'		12'	6.9'	32	12.2'	10.1'	8'	8.0'	39	13.4'	8.2'	4'	6.9'	55	19.3'	5.8'
16'	27	11.6'	11.6'		15'	8.7'	20	15.2'	12.6'	10'	10.0'	25	16.8'	10.3'	5'	8.7'	35	24.2'	7.3'
10'	280	2.6'	2.6'		8'	4.6'	284	2.8'	2.4'	6'	6.0'	275	3.2'	2.2'	4'	6.9'	219	4.4'	2.1'
15'	124	3.9'	3.9'		12'	6.9'	126	4.2'	3.6'	9'	9.0'	122	4.8'	3.4'	6'	10.4'	97	6.7'	3.2'
20'	70	5.3'	5.3'		16'	9.2'	67	5.8'	4.9'	12'	12.0'	69	6.4'	4.5'	8'	13.9'	55	8.9'	4.2'
25'	45	6.6'	6.6'		20'	11.5'	45	7.1'	6.1'	15'	15.0'	44	8.0'	5.6'	10'	17.3'	35	11.1'	5.3'
8'	250	4.3'	4.3'		7'	3.5'	212	5.1'	4.3'	5'	5.0'	226	5.8'	3.8'	3'	5.2'	222	8.2'	3.2'
12'	111	6.4'	6.4'		10'	4.0'	104	7.3'	6.2'	7'	7.0'	115	8.1'	5.3'	4'	6.9'	125	10.9'	4.3'
18'	63	8.8'	8.8'		13'	5.8'	61	9.5'	8.0'	9'	9.0'	70	10.4'	6.8'	5'	8.7'	80	13.7'	5.4'
20'	40	10.7'	10.7'		16'	7.5'	41	11.7'	9.9'	11'	11.0'	47	12.7'	8.3'	6'	10.4'	56	16.4'	6.4'
6'	111	7.6'	7.6'		5'	2.9'	104	9.8'	7.4'	3'	3.0'	157	12.9'	3.8'	2'	3.5'	125	NA	5.1'
8'	63	10.2'	10.2'		7'	4.0'	53	13.8'	10.3'	5'	5.0'	57	21.4'	5.4'	3'	5.2'	58	NA	7.6'
10'	40	12.7'	12.7'		9'	5.2'	32	17.7'	13.2'	7'	7.0'	29	30.0'	9.0'	4'	6.9'	31	NA	10.2'
12'	28	15.3'	15.3'		11'	8.4'	21	21.6'	16.2'	9'	9.0'	17	38.6'	16.2'	5'	8.7'	20	NA	12.7'
15'	187	2.6'	2.6'		10'	5.8'	273	2.3'	2.0'	8'	8.0'	232	2.8'	2.0'	5'	8.7'	210	3.6'	1.7'
20'	105	3.5'	3.5'		15'	8.7'	121	3.5'	3.0'	12'	12.0'	103	4.2'	3.0'	8'	13.9'	82	5.7'	2.8'
25'	67	4.4'	4.4'		20'	11.5'	68	4.7'	4.0'	16'	16.0'	58	5.5'	4.0'	11'	19.1'	43	7.9'	3.8'
30'	47	5.2'	5.2'		25'	14.4'	44	5.8'	5.1'	22'	22.0'	31	7.8'	5.4'	14'	24.2'	27	10.0'	4.9'
7'	133	3.8'	3.8'		6'	3.5'	117	4.4'	3.7'	4'	4.0'	144	4.6'	3.0'	2'	3.5'	203	5.5'	2.1'
10'	65	5.4'	5.4'		9'	5.2'	52	6.6'	5.6'	6'	6.0'	64	6.9'	4.5'	3'	5.2'	90	8.2'	3.2'
13'	38	7.0'	7.0'		12'	6.9'	29	8.8'	7.4'	8'	8.0'	36	9.2'	6.1'	4'	6.9'	51	10.9'	4.3'
16'	25	6.8'	8.6'		15'	8.7'	19	11.0'	9.9'	10'	10.0'	23	11.5'	7.6'	5'	8.7'	33	13.7'	5.4'

Job Information Type:

Lightolier a Genlyte Thomas Company www.lightolier.com
 631 Airport Road, Fall River, MA 02720 • (508) 679-8131 • Fax (508) 674-4710
 We reserve the right to change details of design, materials and finish.
 © 2002 Genlyte Thomas Group LLC (Lightolier Division) • A0902

LIGHTOLIER[®]