

Ordering Information

Catalog No.	Finishes	Mountings	Ballast	Lamps
8285 WH	Matte White	All Lytespan® Track Systems	HPF (E)	32W Triple Tube Compact Fluorescent (4-pin)
8285 BK	Matte Black			PLT Philips, Dulux T/E/IN Osram Sylvania TBX/4P GE

Features

- 1. Reflector:** Hi-temperature polycarbonate with a vacuum metalized dual finish reflector.
- 2. Housing and Cover:** Hi-temperature impact resistant polycarbonate.
- 3. Socket Housing:** Hi-temperature impact resistant polycarbonate.
- 4. Track Adaptor:** Molded hi-temperature impact resistant polycarbonate adaptor in die-cast housing.
- 5. Tension Pivots:** 180° Vertical rotation. 245° horizontal rotation.
- 6. Heat Shield:** .020" thick Specular® aluminum.
- 7. Ballast:** Pre-heat, high power factor, electronic ballast, housed in hi-temperature polycarbonate.

Electrical

Electronic Ballast
 120V Input
 Input Wattage: 34W
 Power Factor: >0.98
 Starting Temp.: 0°F
 Total Harmonic Distortion: <10%
 Ballast Factor: 0.87 to 1.0
 Crest Factor: <1.55

Accessories

3/4" Cube Cell Louver
82LVRBK--Black Louver
82LVRWH--White Louver
 NOTE: Multiply performance data by .66 when using the white louver and by .5 when using the black louver.

Labels

UL.

Job Information	Type:
Job Name:	
Cat. No.:	
Lamp(s):	
Notes:	

Lightolier a Genlyte Thomas Company www.lightolier.com
 631 Airport Road, Fall River, MA 02720 • (508) 679-8131 • Fax (508) 674-4710
 We reserve the right to change details of design, materials and finish.
 © 2002 Genlyte Thomas Group LLC (Lightolier Division) • A0902

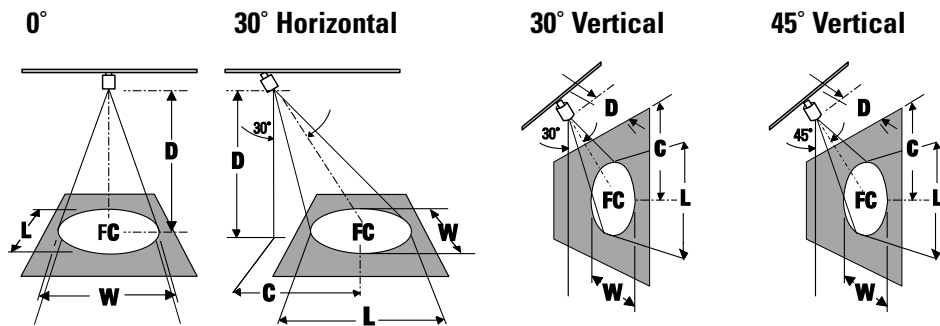
LIGHTOLIER®

Lighting Data

Aiming Angle

- L** Beam Length
- W** Beam Width
- C** Distance to center beam
- D** Distance
- FC** Footcandles

L and W are the outer points where the candle power drops to 50% of the maximum. FC are the initial footcandles at the center of the beam.



LAMP

Beam Spread 50% Max CP	Beam Center C.P. Candelas	Rated Life-Hrs
<p>32W Triple Tube (GX24q-3) 60°</p>	1382	10000

D	FC	L	W	D	C	FC	L	W	D	C	FC	L	W	D	C	FC	L	W
4'	86	4.6'	4.6'	3'	1.7'	100	5.2'	4.0'	1'	1.7'	173	*	2.3'	3'	3.0'	54	10.4'	4.9'
6'	38	6.9'	6.9'	5'	2.9'	36	8.7'	6.7'	2'	3.5'	43	*	4.6'	4'	4.0'	31	13.9'	6.5'
8'	22	9.2'	9.2'	7'	4.0'	18	12.1'	9.3'	3'	5.2'	19	*	6.9'	5'	5.0'	20	17.3'	8.2'
10'	14	11.5'	11.5'	9'	5.2'	11	15.6'	12.0'	4'	6.9'	11	*	9.2'	6'	6.0'	14	20.6'	9.8'

* Exceeds usable limits.

NOTE: Multiply footcandles by .66 when using the white louver and by .5 when using the black louver.

Job Information **Type:**

Lightolier a Genlyte Thomas Company www.lightolier.com
 631 Airport Road, Fall River, MA 02720 • (508) 679-8131 • Fax (508) 674-4710
 We reserve the right to change details of design, materials and finish.
 © 2002 Genlyte Thomas Group LLC (Lightolier Division) • A0902

LIGHTOLIER®