

Ordering Information

Cat. No.	Finish	Mounting	Ballast	Input Wats	Amps	Lamps
8279ENWH	Matte White/Metalized Louver	All Lytespan Track Systems	Electronic	78W	.78AMP	2 Lt. 40W (22 1/2")
8279ENWWH	Matte White/White Louver	DO NOT attach to stem mounted track				Twin Tube Fluorescent
8279ENBK	Matte Black/Metalized Louver	(unless used with suspension beam housing) or track mounted with swivel stem (7480, 7481) or wall mounted track.				PL-L 40W/RS by Phillips F40/30BX by GE FT40 DL/RS by Osram/Sylvania

Features

- Attachment Fitting:** Molded polycarbonate, pin rotates fitting to engage into track to energize fixture.
- Brass Contact:** Extends for connection to second circuit in Advent® Lytespan track.
- Reflector:** Specular Plus® finish.*
- Body Housing:** One-piece die-cast aluminum.
- Pivot Tension Mount:** 0° - 90° Vertical rotation from NADIR in both directions; (0° - 78° from NADIR when used with Recessed Track).
- (2) Track Adaptor Housing:** Die-cast aluminum.
- Aiming Lock:** Locks vertical position at the desired aiming angle.
- Lamp Socket:** High temperature thermoplastic.
- Louver with Parabolic Blades:** Snaps inside fixtures body. Molded ABS, semi-specular finish or integral white blades.
- Lamp Support Clip (2):** High temperature thermoplastic.
- (2) 40W Twin Tube:** Compact fluorescent lamp (by others).
- Ballast:** Electronic, 2 Lt. power factor greater than .99, light weight, harmonic distortion less than 10%.
- Locking Knob:** Mechanically locks fixture to the track, independently from the electrical connection.
- Lever:** Energizes fixture.

Electrical

Lampholder and ballast prewired with 105°C 18 ga. wire. Input voltage 120V.

Finish

All painted finishes baked enamel.

Labels

UL, I.B.E.W.

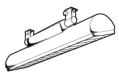
* Specular Plus® is a registered trademark of MSC Laminates and Composites Inc.

Advent® is a registered trademark of Lightolier.

Job Information	Type:
Job Name:	
Cat. No.:	
Lamp(s):	
Notes:	

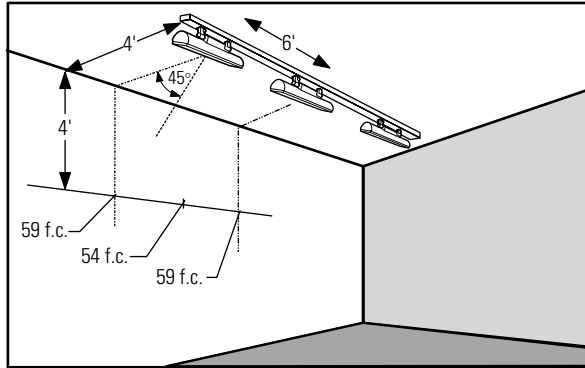
Lightolier a Genlyte Thomas Company
 631 Airport Road, Fall River, MA 02720 • (508) 679-8131 • Fax (508) 674-4710
 We reserve the right to change details of design, materials and finish.
 © 2002 Genlyte Thomas Group LLC (Lightolier Division) • A0902

LIGHTOLIER®



Lighting Data

FOOTCANDLES ON WALL:



EXAMPLE: With track located 4' from wall and multiple units spaced 6' on center and aimed 45° from horizontal, the illumination on wall 4' from ceiling will be 59 f.c. beneath units and 54 f.c. between units.

Footcandles on Wall

Track 3 Feet From Wall

Single Unit

Multiple Units

Distance From Ceiling in Feet	Single Unit							Multiple Units (3' spacing)			Multiple Units (4' spacing)			Multiple Units (5' spacing)		
	0'	1'	2'	3'	4'	5'										
1'	141	110	57	22	6	1	181	165	181	149	109	149	139	68	139	
2'	127	108	71	39	19	9	217	211	217	171	111	171	151	113	151	
3'	76	68	50	31	10	10	150	150	150	117	111	171	99	86	99	
4'	45	42	34	24	15	9	106	105	106	81	80	81	66	63	66	
5'	29	27	23	17	12	8	74	74	74	56	56	56	45	43	45	
6'	19	19	16	13	10	7	58	59	58	45	45	45	37	37	37	
7'	13	13	11	10	8	6	43	43	43	34	34	34	28	28	28	
8'	9	9	8	7	6	5	32	33	32	26	26	26	21	21	21	
9'	7	7	6	6	5	4	27	27	27	22	22	22	18	18	18	

Track 4 Feet From Wall

Single Unit

Multiple Units

Distance From Ceiling in Feet	Single Unit							Multiple Units (4' spacing)			Multiple Units (5' spacing)			Multiple Units (6' spacing)		
	0'	1'	2'	3'	4'	5'										
1'	80	69	47	27	14	7	112	103	112	97	76	97	90	57	90	
2'	77	68	49	30	17	8	110	104	110	91	79	91	82	59	82	
3'	61	56	44	31	20	11	103	100	103	84	78	84	73	61	73	
4'	42	39	33	25	18	12	83	83	83	68	66	68	59	54	59	
5'	28	27	23	19	14	10	63	62	63	51	50	51	43	42	43	
6'	21	20	18	15	12	9	50	51	50	41	41	41	35	34	35	
7'	15	14	13	11	9	7	40	40	40	32	33	32	27	27	27	
8'	11	11	10	9	8	6	34	35	34	28	29	28	24	24	24	
9'	9	9	8	7	6	5	29	29	29	24	24	24	20	21	20	

Footcandles are average and rounded off and are based on a minimum of five units.

Job Information

Type:

Lightolier a Genlyte Thomas Company www.lightolier.com
 631 Airport Road, Fall River, MA 02720 • (508) 679-8131 • Fax (508) 674-4710
 We reserve the right to change details of design, materials and finish.
 © 2002 Genlyte Thomas Group LLC (Lightolier Division) • A0902

LIGHTOLIER®