

Ordering Information

Catalog No.	Finishes	Mountings	Lamps
8272WH	Matte White	All Power Jacks	AR70
8272BK	Matte Black	(Note: Ceiling Mount Only)	50W Max.

Features

- 1. Ring:** die-cast aluminum with cool grip insulation band, a high temperature silicone rubber which allows aiming adjustments while fixture is on.
- 2. Socket:** double contact bayonet base, zinc plated steel body prewired with 18 ga. stranded Teflon® leads with fiberglass outer sleeve.
- 3. Male Jack Connector:** mounted in 3/8" dia. stainless steel stem. Plugs into any 8600 Power Jack or Extender Stem. Allows for 360° horizontal rotation.
- 4. Tension Pivot Mount:** die-cast aluminum. Allows for 180° vertical rotation.
- 5. Lamp Guard:** tempered glass.
- 6. Spring:** steel springs hold lamp and housing in place.
- 7. Housing:** aluminum, fully encloses lamp back and socket. Vents dissipate lamp heat.

Finish

All painted finishes are powder coated baked enamel.

Options & Accessories

- Accessory Holder** 7661 Sof-Tech series; holds one accessory.
- Beam Elongator** AF25AS
- Beam Smoother** AF25LF
- Hexcell Louver** AL25HC

Electrical/Dimming

For dimming information refer to Power Jack specification sheets.

Labels

UL

Teflon® is a registered trademark of E.I. DuPont.

Job Information	Type:
Job Name:	
Cat. No.:	
Lamp(s):	
Notes:	

Lightolier a Genlyte Thomas Company www.lightolier.com
 631 Airport Road, Fall River, MA 02720 • (508) 679-8131 • Fax (508) 674-4710
 We reserve the right to change details of design, materials and finish.
 © 2002 Genlyte Thomas Group LLC (Lightolier Division) • A0902

LIGHTOLIER®

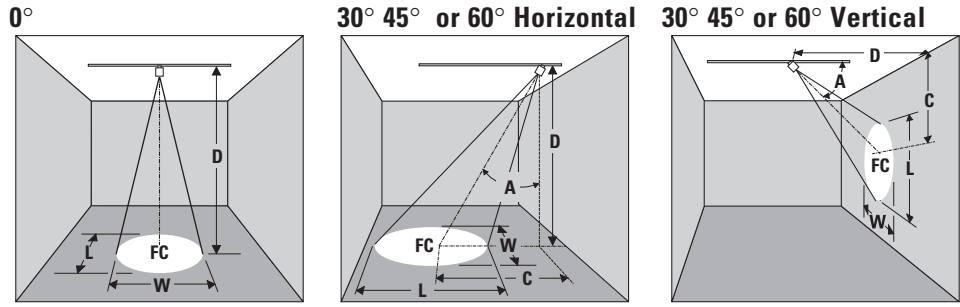


Lighting Data

Aiming Angle:

- L** Beam length
- W** Beam width
- C** Distance to center of beam
- D** Distance
- A** Aiming angle
- FC** Footcandles

L and **W** are the outer points where the candlepower drops to 50% of the maximum. **FC** are the initial footcandles at the center of the beam.



LAMP

Beam Spread 50% Max CP	Beam Center C.P. Candelas	Rated Life-Hrs
10°	7000	2000
30°	1000	2000
10°	15000	2000
30°	2000	2000

0° AIMING ANGLE

A=30° AIMING ANGLE

A=45° AIMING ANGLE

A=60° AIMING ANGLE

D	FC	L	W
7'	143	1.2'	1.2'
10'	70	1.7'	1.7'
13'	41	2.3'	2.3'
16'	27	2.8'	2.8'
3'	111	1.6'	1.6'
5'	40	2.7'	2.7'
7'	20	3.8'	3.8'
9'	12	4.8'	4.8'
8'	234	1.4'	1.4'
12'	104	2.1'	2.1'
16'	59	2.8'	2.8'
20'	38	3.5'	3.5'
4'	125	2.1'	2.1'
6'	56	3.2'	3.2'
8'	31	4.3'	4.3'
10'	20	5.4'	5.4'

D	C	FC	L	W
6'	3.5'	126	1.4'	1.2'
9'	5.2'	56	2.1'	1.8'
12'	6.9'	32	2.8'	2.4'
15'	8.7'	20	3.5'	3.0'
3'	1.7'	72	2.2'	1.9'
5'	2.9'	26	3.7'	3.1'
7'	4.0'	13	5.1'	4.3'
9'	5.2'	8	6.6'	5.6'
7'	4.0'	199	1.6'	1.4'
10'	5.8'	97	2.3'	2.0'
13'	7.5'	58	3.0'	2.6'
16'	9.2'	38	3.7'	3.2'
3'	1.7'	144	2.2'	1.9'
5'	2.9'	52	3.7'	3.1'
7'	4.0'	27	5.1'	4.3'
9'	5.2'	16	6.6'	5.6'

D	C	FC	L	W
4'	4.0'	155	1.4'	1.0'
6'	6.0'	69	2.1'	1.5'
8'	8.0'	39	2.8'	2.0'
10'	10.0'	25	3.5'	2.5'
2'	2.0'	88	2.3'	1.5'
3'	3.0'	39	3.5'	2.3'
4'	4.0'	22	4.6'	3.0'
5'	5.0'	14	5.8'	3.8'
5'	5.0'	212	1.8'	1.2'
7'	7.0'	108	2.5'	1.7'
9'	9.0'	65	3.2'	2.2'
11'	11.0'	44	3.9'	2.7'
3'	3.0'	79	3.5'	2.3'
4'	4.0'	44	4.6'	3.0'
5'	5.0'	28	5.8'	3.8'
6'	6.0'	20	6.9'	4.5'

D	C	FC	L	W
2'	3.5'	219	1.4'	0.7'
3'	5.2'	97	2.1'	1.0'
4'	6.9'	55	2.9'	1.4'
5'	8.7'	35	3.6'	1.7'
1'	1.7'	125	2.7'	1.1'
2'	3.5	31	5.5'	2.1'
3'	5.2'	14	8.2'	3.2'
4'	6.9'	8	10.9'	4.3'
3'	5.2'	208	2.1'	1.0'
4'	6.9'	117	2.9'	1.4'
5'	8.7'	75	3.6'	1.7'
6'	10.4'	52	4.3'	2.1'
1'	1.7'	250	2.7'	1.1'
2'	3.5	63	5.5'	2.1'
3'	5.2'	28	8.2'	3.2'
4'	6.9'	16	10.9'	4.3'

Job Information	Type:
------------------------	--------------

Lightolier a Genlyte Thomas Company www.lightolier.com
 631 Airport Road, Fall River, MA 02720 • (508) 679-8131 • Fax (508) 674-4710
 We reserve the right to change details of design, materials and finish.
 © 2002 Genlyte Thomas Group LLC (Lightolier Division) • A0902

LIGHTOLIER®