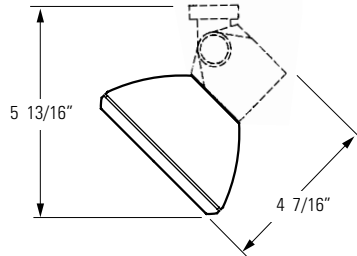
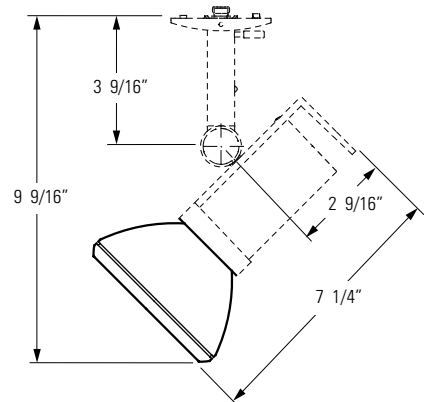
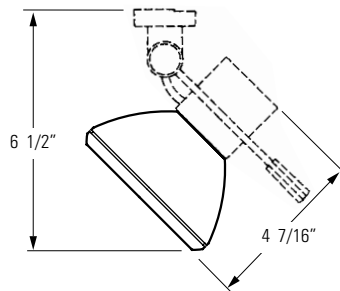


Bezel PAR30 with Metallics™ Electronic Metal Halide Fixtures 8701 & 28701 (Prospec)

Bezel PAR30 with Par-Tech® Incandescent/halogen Fixture 8201



Bezel PAR30 with Par-Tech® Incandescent/halogen Fixture 8202



Ordering Information

Catalog No.	Finishes	Lamps
8237A WH	Matte White	INCANDESCENT: PAR30 75W Max.
8237A TM	Dark Titanium	
8237A NM	Natural Metal	

Features

- Shade:** Die-cast aluminum.
- Neck Flange:** Cold rolled steel, zinc-plated. Used to attach shade to fixture, without tools.
- Groove:** To connect optional Accessory Holder to shade.

Options and Accessories

PAR30 Accessory Holder (8583) & Accessories (AF3 & AL3HC Series). Order separately (See Lightolier Specification Sheet 8583)

Finish

All painted finishes: White or Titanium, baked enamel. Natural Metal finish is Brushed Metal with protective Clear Coat.

Labels

UL, I.B.E.W.

Job Information	Type:
Job Name:	
Cat. No.:	
Lamp(s):	
Notes:	