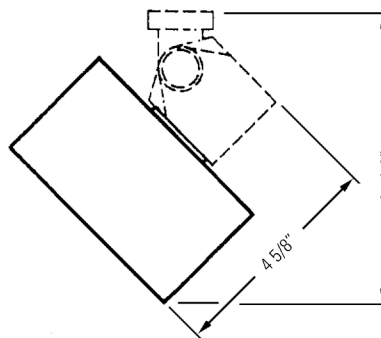
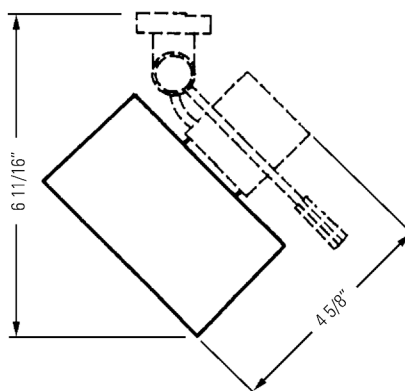


CYLINDER 30 WITH LOW PROFILE ADAPTER



CYLINDER 30 WITH HINGED ADAPTER



Ordering Information

Catalog No.	Finishes	Mounting	Lamps
8236WH	Matte White	All Lytespan Track Systems	PAR30, 75W Max. (Tungsten-Halogen)
8236BK	Matte Black		

Features

- Shade Attachment:** Zinc plated and painted C.R. steel. Bayonet fitting.
- Shade:** Single piece die-cast aluminum.
- Mounting Groove:** For accessories holder.
- Integral Verti-Grooves:** With black inside finish for glare control.

Finish

All painted finishes baked enamel.

Options & Accessories

3 1/2" Beam Smoother, Beam Elongator, Louver and Barn Doors.
All require Accessory Holder 8583.
See Lightolier Specification Sheets AL2HC, AF2LF, AF2AS.

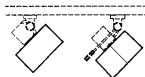
Labels

UL; I.B.E.W.

Job Information	Type:
Job Name:	
Cat. No.:	
Lamp(s):	
Notes:	

Lightolier a Genlyte Thomas Company www.lightolier.com
631 Airport Road, Fall River, MA 02720 • (508) 679-8131 • Fax (508) 674-4710
We reserve the right to change details of design, materials and finish.
© 2002 Genlyte Thomas Group LLC (Lightolier Division) • A0902

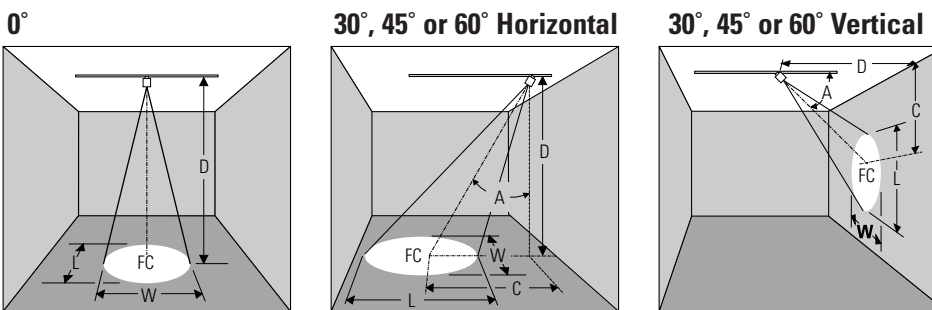
LIGHTOLIER®



Lighting Data Aiming Angle

- L** Beam Length
- W** Beam Width
- C** Distance to center beam
- D** Distance
- A** Aiming Angle
- FC** Footcandles

L and W are the outer points where the candle power drops to 50% of the maximum. FC are the initial footcandles at the center of the beam.



LAMP	Beam Spread 50% Max. CP	Beam Center C.P. Candelas	Rated Life-Hrs	0° AIMING ANGLE				A=30° AIMING ANGLE					A=45° AIMING ANGLE					A=60° AIMING ANGLE																													
				D	FC	L	W	D	C	FC	L	W	D	C	FC	L	W	D	C	FC	L	W																									
50W PAR30 NSP (Halogen)	8°	9,200	2,000	7' 188	1.0' 1.0'	6' 3.5'	166	1.1' 1.0'	4' 4.0'	203	1.1' 0.8'	2' 3.5'	288	1.1' 0.6'	10' 92	1.4' 1.4'	9' 5.2'	74	1.7' 1.5'	6' 6.0'	90	1.7' 1.2'	3' 5.2'	128	1.7' 0.8'	13' 54	1.8' 1.8'	12' 6.9'	41	2.2' 1.9'	8' 8.0'	51	2.2' 1.6'	4' 6.9'	72	2.3' 1.1'	5' 8.7'	46	2.8' 1.4'								
				16' 36	2.2' 2.2'	15' 8.7'	27	2.8' 2.4'	10' 10.0'	33	2.8' 2.0'	5' 8.7'	46	2.8' 1.4'	16' 83	2.7' 2.7'	15' 8.7'	27	2.8' 2.4'	11' 11.0'	50	3.1' 2.2'	3' 5.2'	236	1.7' 0.8'	16' 66	2.2' 2.2'	13' 7.5'	65	2.4' 2.1'	9' 9.0'	74	2.5' 1.8'	5' 8.7'	85	2.8' 1.4'	20' 43	2.8' 2.8'	16' 9.2'	43	3.0' 2.6'	6' 10.4'	59	3.4' 1.7'			
				8' 266	1.1' 1.1'	7' 4.0'	225	1.3' 1.1'	5' 5.0'	240	1.4' 1.0'	3' 5.2'	236	1.7' 0.8'	12' 118	1.7' 1.7'	10' 5.8'	110	1.9' 1.6'	7' 7.0'	123	2.0' 1.4'	7' 7.0'	123	2.0' 1.4'	4' 6.9'	133	2.3' 1.1'	16' 66	2.2' 2.2'	13' 7.5'	65	2.4' 2.1'	9' 9.0'	74	2.5' 1.8'	5' 8.7'	85	2.8' 1.4'	20' 43	2.8' 2.8'	16' 9.2'	43	3.0' 2.6'	11' 11.0'	50	3.1' 2.2'
50W PAR30 NFL (Halogen)	25°	2,000	2,000	4' 125	1.8' 1.8'	3' 1.7'	144	1.8' 1.5'	3' 3.0'	79	2.8' 1.9'	1' 1.7'	250	2.1' 0.9'	6' 58	2.7' 2.7'	5' 2.9'	52	3.0' 2.6'	4' 4.0'	44	3.7' 2.5'	2' 3.5'	63	4.2' 1.8'	8' 31	3.5' 3.5'	7' 4.0'	27	4.2' 3.6'	5' 5.0'	28	4.7' 3.1'	3' 5.2'	28	6.2' 2.7'	4' 6.9'	16	8.3' 3.5'	10' 20	4.4' 4.4'	9' 5.2'	16	5.4' 4.5'	6' 6.0'	20	5.6' 3.8'
				8' 47	3.5' 3.5'	7' 4.0'	40	4.2' 3.6'	5' 5.0'	42	4.7' 3.1'	3' 5.2'	42	6.2' 2.7'	6' 83	2.7' 2.7'	5' 2.9'	78	3.0' 2.6'	3' 3.0'	118	2.8' 1.9'	2' 3.5'	94	4.2' 1.8'	10' 30	4.4' 4.4'	9' 5.2'	24	5.4' 4.6'	7' 7.0'	22	6.5' 4.4'	4' 6.9'	23	8.3' 3.5'	12' 21	5.3' 5.3'	11' 6.4'	16	6.6' 5.6'	9' 9.0'	12	8.4' 5.6'			
				12' 21	5.3' 5.3'	7' 4.0'	40	4.2' 3.6'	5' 5.0'	42	4.7' 3.1'	3' 5.2'	42	6.2' 2.7'	6' 83	2.7' 2.7'	5' 2.9'	78	3.0' 2.6'	3' 3.0'	118	2.8' 1.9'	2' 3.5'	94	4.2' 1.8'	10' 30	4.4' 4.4'	9' 5.2'	24	5.4' 4.6'	7' 7.0'	22	6.5' 4.4'	4' 6.9'	23	8.3' 3.5'	12' 21	5.3' 5.3'	11' 6.4'	16	6.6' 5.6'	9' 9.0'	12	8.4' 5.6'			
50W PAR30 FL (Halogen)	35°	1,400	2,500	3' 158	1.9' 1.9'	3' 1.7'	101	2.6' 2.2'	2' 2.0'	124	2.8' 1.8'	1' 1.7'	175	3.6' 1.3'	5' 56	3.2' 3.2'	5' 2.9'	36	4.3' 3.6'	3' 3.0'	55	4.2' 2.7'	2' 3.5'	44	7.2' 2.5'	7' 29	4.4' 4.4'	7' 4.0'	19	6.1' 5.1'	4' 4.0'	31	5.6' 3.8'	3' 5.2'	19	10.8' 3.8'	4' 6.9'	11	14.4' 5.0'	9' 17	5.7' 5.7'	9' 5.2'	11	7.8' 6.6'	5' 5.0'	20	7.0' 4.5'
				8' 64	3.3' 3.3'	5' 2.9'	42	4.6' 3.9'	3' 3.0'	63	4.5' 2.8'	2' 3.5'	50	8.1' 2.7'	6' 56	3.2' 3.2'	5' 2.9'	36	4.3' 3.6'	3' 3.0'	55	4.2' 2.7'	2' 3.5'	44	7.2' 2.5'	7' 29	4.4' 4.4'	7' 4.0'	19	6.1' 5.1'	4' 4.0'	31	5.6' 3.8'	3' 5.2'	19	10.8' 3.8'	4' 6.9'	11	14.4' 5.0'	9' 17	5.7' 5.7'	9' 5.2'	11	7.8' 6.6'	5' 5.0'	20	7.0' 4.5'
				12' 21	5.3' 5.3'	5' 2.9'	36	4.3' 3.6'	3' 3.0'	55	4.2' 2.7'	2' 3.5'	44	7.2' 2.5'	6' 56	3.2' 3.2'	5' 2.9'	36	4.3' 3.6'	3' 3.0'	55	4.2' 2.7'	2' 3.5'	44	7.2' 2.5'	7' 29	4.4' 4.4'	7' 4.0'	19	6.1' 5.1'	4' 4.0'	31	5.6' 3.8'	3' 5.2'	19	10.8' 3.8'	4' 6.9'	11	14.4' 5.0'	9' 17	5.7' 5.7'	9' 5.2'	11	7.8' 6.6'	5' 5.0'	20	7.0' 4.5'
50W PAR30 FL (Halogen-IR)	37°	1,600	3,000	3' 178	2.0' 2.0'	3' 1.7'	115	2.8' 2.3'	2' 2.0'	141	3.0' 1.9'	1' 1.7	200	4.0' 1.3'	5' 64	3.3' 3.3'	5' 2.9'	42	4.6' 3.9'	3' 3.0'	63	4.5' 2.8'	2' 3.5'	50	8.1' 2.7'	7' 33	4.7' 4.7'	7' 4.0'	21	6.5' 5.4'	4' 4.0'	35	6.0' 3.8'	3' 5.2'	22	12.1' 4.0'	4' 6.9'	13	18.1' 5.4'	9' 20	6.0' 6.0'	9' 5.2'	13	8.3' 7.0'	5' 5.0'	23	7.5' 4.7'
				8' 219	1.3' 1.3'	5' 2.9'	36	4.3' 3.6'	3' 3.0'	55	4.2' 2.7'	2' 3.5'	44	7.2' 2.5'	6' 56	3.2' 3.2'	5' 2.9'	36	4.3' 3.6'	3' 3.0'	55	4.2' 2.7'	2' 3.5'	44	7.2' 2.5'	7' 33	4.7' 4.7'	7' 4.0'	21	6.5' 5.4'	4' 4.0'	35	6.0' 3.8'	3' 5.2'	22	12.1' 4.0'	4' 6.9'	13	18.1' 5.4'	9' 20	6.0' 6.0'	9' 5.2'	13	8.3' 7.0'	5' 5.0'	23	7.5' 4.7'
				12' 21	5.3' 5.3'	5' 2.9'	36	4.3' 3.6'	3' 3.0'	55	4.2' 2.7'	2' 3.5'	44	7.2' 2.5'	6' 56	3.2' 3.2'	5' 2.9'	36	4.3' 3.6'	3' 3.0'	55	4.2' 2.7'	2' 3.5'	44	7.2' 2.5'	7' 33	4.7' 4.7'	7' 4.0'	21	6.5' 5.4'	4' 4.0'	35	6.0' 3.8'	3' 5.2'	22	12.1' 4.0'	4' 6.9'	13	18.1' 5.4'	9' 20	6.0' 6.0'	9' 5.2'	13	8.3' 7.0'	5' 5.0'	23	7.5' 4.7'
75W PAR30 NSP (Halogen)	9°	14,000	2,500	8' 219	1.3' 1.3'	7' 4.0'	186	1.5' 1.3'	5' 5.0'	198	1.6' 1.1'	3' 5.2'	184	1.9' 0.9'	12' 97	1.9' 1.9'	10' 5.8'	91	2.1' 1.8'	7' 7.0'	101	2.2' 1.6'	4' 6.8'	109	2.6' 1.3'	16' 55	2.5' 2.5'	13' 7.5'	54	2.7' 2.4'	9' 9.0'	61	2.9' 2.0'	5' 8.7'	70	3.2' 1.6'	6' 10.4'	49	3.8' 1.9'	20' 35	3.1' 3.1'	16' 9.2'	36	3.4' 2.9'	11' 11.0'	41	3.5' 2.4'
				8' 89	3.2' 3.2'	5' 2.9'	83	3.7' 3.1'	3' 3.0'	126	3.5' 2.3'	2' 3.5'	100	5.5' 2.1'	6' 89	3.2' 3.2'	5' 2.9'	83	3.7' 3.1'	3' 3.0'	126	3.5' 2.3'	2' 3.5'	100	5.5' 2.1'	16' 55	2.5' 2.5'	13' 7.5'	54	2.7' 2.4'	9' 9.0'	61	2.9' 2.0'	5' 8.7'	70	3.2' 1.6'	6' 10.4'	49	3.8' 1.9'	20' 35	3.1' 3.1'	16' 9.2'	36	3.4' 2.9'	11' 11.0'	41	3.5' 2.4'
				12' 97	1.9' 1.9'	5' 2.9'	83	3.7' 3.1'	3' 3.0'	126	3.5' 2.3'	2' 3.5'	100	5.5' 2.1'	6' 89	3.2' 3.2'	5' 2.9'	83	3.7' 3.1'	3' 3.0'	126	3.5' 2.3'	2' 3.5'	100	5.5' 2.1'	6' 89	3.2' 3.2'	5' 2.9'	83	3.7' 3.1'	3' 3.0'	126	3.5' 2.3'	2' 3.5'	100	5.5' 2.1'	6' 89	3.2' 3.2'	5' 2.9'	83	3.7' 3.1'	3' 3.0'	126	3.5' 2.3'	2' 3.5'	100	5.5' 2.1'
75W PAR30 NFL (Halogen)	30°	3,200	2,500	6' 89	3.2' 3.2'	5' 2.9'	83	3.7' 3.1'	3' 3.0'	126	3.5' 2.3'	2' 3.5'	100	5.5' 2.1'	8' 50	4.3' 4.3'	7' 4.0'	42	5.1' 4.3'	5' 5.0'	45	5.8' 3.8'	3' 5.2'	44	8.2' 3.2'	10' 32	5.4' 5.4'	9' 5.2'	26	6.6' 5.6'	7' 7.0'	23	8.1' 5.3'	4' 6.9'	25	10.9' 4.3'	4' 6.9'	25	10.9' 4.3'	12' 22	6.4' 6.4'	11' 6.4'	17	8.1' 6.8'	9' 9.0'	14	10.4' 6.8'
				8' 50	4.3' 4.3'	7' 4.0'	42	5.1' 4.3'	5' 5.0'	45	5.8' 3.8'	3' 5.2'	44	8.2' 3.2'	10' 32	5.4' 5.4'	9' 5.2'	26	6.6' 5.6'	7' 7.0'	23	8.1' 5.3'	4' 6.9'	25	10.9' 4.3'	12' 22	6.4' 6.4'	11' 6.4'	17	8.1' 6.8'	9' 9.0'	14	10.4' 6.8'														
				12' 22	6.4' 6.4'	7' 4.0'	42	5.1' 4.3'	5' 5.0'	45	5.8' 3.8'	3' 5.2'	44	8.2' 3.2'	10' 32	5.4' 5.4'	9' 5.2'	26	6.6' 5.6'	7' 7.0'	23	8.1' 5.3'	4' 6.9'	25	10.9' 4.3'	12' 22	6.4' 6.4'	11' 6.4'	17	8.1' 6.8'	9' 9.0'	14	10.4' 6.8'														
75W PAR30 FL (Halogen)	40°	2,000	2,500	4' 125	2.9' 2.9'	3' 1.7'	144	3.0' 2.5'	3' 3.0'	79	5.0' 3.1'	1' 1.7'	250	4.8' 1.5'	6' 56	4.4' 4.4'	5' 2.9'	52	5.1' 4.2'	4' 4.0'	44	6.7' 4.1'	2' 3.5'	63	9.7' 2.9'	8' 31	5.8' 5.8'	7' 4.0'	27	7.1' 5.9'	5' 5.0'	28	8.4' 5.1'	3' 5.2'	28	14.5' 4.4'	4' 6.9'	16	19.3' 5.8'	9' 17	7.3' 7.3'	9' 5.2'	16	9.1' 7.6'	6' 6.0'	20	10.1' 6.1'
				8' 31	5.8' 5.8'	5' 2.9'	52	5.1' 4.2'	4' 4.0'	44	6.7' 4.1'	2' 3.5'	63	9.7' 2.9'	4' 6.9'	16	19.3' 5.8'	10' 32	5.4' 5.4'	9' 5.2'	26	6.6' 5.6'	7' 7.0'	23	8.1' 5.3'	4' 6.9'	25	10.9' 4.3'	12' 22	6.4' 6.4'	11' 6.4'	17	8.1' 6.8'	9' 9.0'	14	10.4' 6.8'											
				12' 22	6.4' 6.4'	5' 2.9'	52	5.1' 4.2'	4' 4.0'	44	6.7' 4.1'	2' 3.5'	63	9.7' 2.9'	4' 6.9'	16	19.3' 5.8'	10' 32	5.4' 5.4'	9' 5.2'	26	6.6' 5.6'	7' 7.0'	23	8.1' 5.3'	4' 6.9'	25	10.9' 4.3'	12' 22	6.4' 6.4'	11' 6.4'	17	8.1' 6.8'	9' 9.0'	14	10.4' 6.8'											

LIGHTOLIER®

Job Information Type:

Lightolier a Genlyte Thomas Company www.lightolier.com
 631 Airport Road, Fall River, MA 02720 • (508) 679-8131 • Fax (508) 674-4710
 We reserve the right to change details of design, materials and finish.
 © 2002 Genlyte Thomas Group LLC (Lightolier Division) • A0902