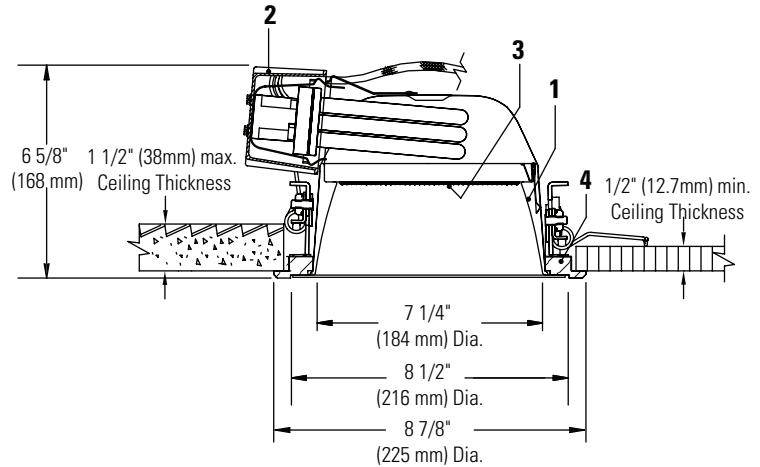
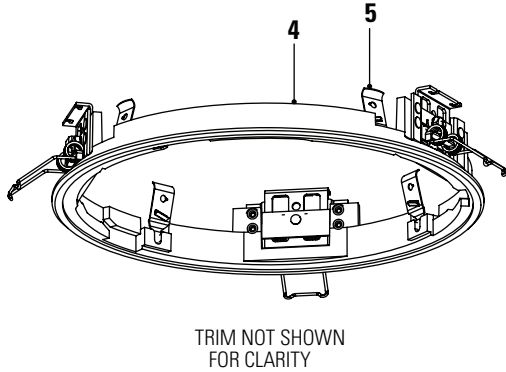


# LIGHTOLIER® Calculite® Fluorescent Lensed Downlight 8097EXP



Ceiling Cutout: 8 1/2" (217 mm) Dia.

**Ordering Information**

Reflector Trim	Installation Ring	Gear Harness	Gear Data
8097CCCDPEXP Comfort Clear Diffuse, Polished Flange	C7XRM Matte White	BKFEU26 BKFEU26-42	26, 32W or 42W Triple Tube GX24q-3 Base

**Features**

- Reflector:** 16 ga. Die-formed aluminum, Anobrite® finish.
- Socket Cup:** Snaps onto reflector neck to assure consistently correct optical alignment without tools. Included with Gear Harness assembly (see item 6 below).
- Shielding Media:** Molded acrylic. Available in fresnel lens, clear lens, or opal diffuser. Secured to aperture cone.
- Installation Ring:** Cast aluminum ring is painted and has three 17ga. stainless steel springs that engage in upright position during installation. One touch snap action secures ring in ceiling cutout. ORDER SEPARATELY. See separate specification sheet for details.
- Trim Retention Springs:** Rust resistant springs secure reflector/housing for quick, toolless installation (quantity of 4).
- Gear harness (not shown):** Electronic 240V, 50/60Hz fluorescent ballast with lamp socket and wiring harness. ORDER SEPARATELY. See separate specification sheet for details.

**Certifications and Ratings**



**Job Information**

**Type:**

**Job Name:**

**Cat. No.:**

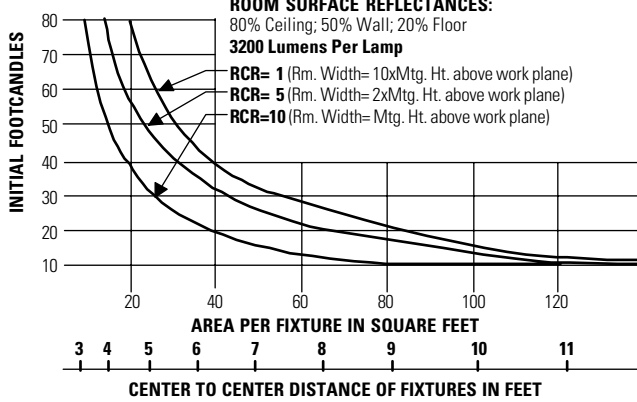
**Lamp(s):**

**Notes:**

631 Airport Road, Fall River, MA 02720 • (508) 679-8131 • Fax (508) 674-4710  
 We reserve the right to change details of design, materials and finish.  
 www.lightolier.com © 2008 Philips Group • A0808

### Clear Reflector Cone (CL)

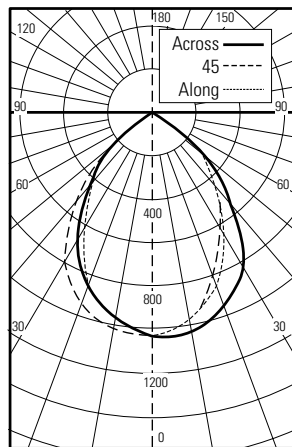
#### Quick Calculator



This quick calculator chart determines the number and spacing of 1 lt.- 42W PL-T units with Fresnel Lens and Clear Cone for any level of illumination. Conversion factors: Opal diffuser, fc x 0.8; Clear Shielding, fc x 1.0.

#### Spacing Ratio = 1.2

CERTIFIED TEST REPORT NO. 0066FR  
COMPUTED BY LSI PROGRAM \*\*TEST-LITE\*\*  
CALCULITE 7 3/16" DIAMETER RECESSED FLUORESCENT LENSED DOWNLIGHT  
SEMI-SPECULAR REFLECTOR WITH CLEAR CONE AND FRESNEL LENS  
LUMEN RATING = 3200 LMS. 1-42W PL-T LAMP



ANGLE	CANDLEPOWER					
	ALONG	22.5	45	67.5	ACROSS	LUMENS
0	1027	1027	1027	1027	1027	
5	1002	994	1006	1022	1037	48
10	964	942	969	1001	1034	
15	906	851	887	932	995	128
20	831	738	786	852	937	
25	736	619	692	773	880	167
30	619	519	603	698	805	
35	508	449	516	590	680	169
40	420	406	431	469	525	
45	335	349	361	381	413	144
50	267	310	307	313	322	
55	102	132	129	144	156	70
60	34	41	47	55	61	
65	4	8	9	12	14	8
70	0	0	0	0	0	
75	0	0	0	0	0	
80	0	0	0	0	0	
85	0	0	0	0	0	
90	0	0	0	0	0	

ZONAL LUMENS AND PERCENTAGES			
ZONE	LUMENS	% LAMP	% LUMINAIRE
0-30	719	22.47	47.85
0-40	1081	33.79	71.95
0-60	1490	46.58	99.19
0-90	1502	46.97	100.00
40-90	421	13.17	28.05
60-90	12	.38	.81
90-180	0	.00	.00
0-180	1502	46.97	100.00

\*\* EFFICIENCY = 47.0% \*\*

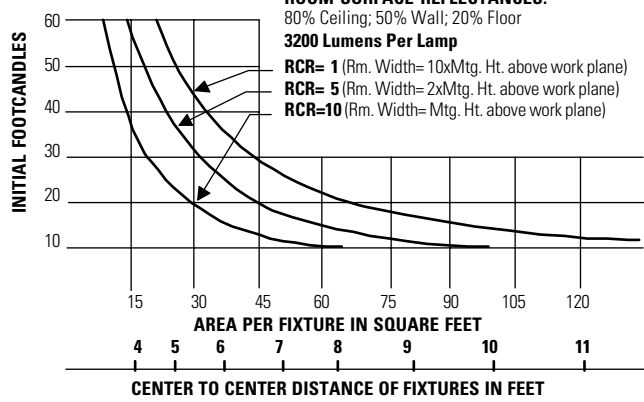
#### Coefficients Of Utilization

ROOM CAVITY RATIO	% EFFECTIVE CEILING CAVITY REFLECTANCE															
	80				70				50				30			
	50	30	10	0	50	30	10	0	50	30	10	0	50	30	10	0
1	.52	.51	.49	.51	.50	.49	.49	.48	.47	.47	.46	.46	.46	.45	.44	.44
2	.48	.46	.44	.47	.45	.44	.46	.44	.43	.44	.43	.42	.43	.42	.41	.40
3	.44	.42	.40	.44	.42	.40	.43	.41	.39	.41	.40	.38	.40	.39	.38	.37
4	.41	.38	.36	.41	.38	.36	.40	.37	.36	.39	.37	.35	.38	.36	.35	.34
5	.38	.35	.33	.38	.35	.33	.37	.34	.33	.36	.34	.32	.35	.33	.32	.31
6	.35	.32	.30	.35	.32	.30	.34	.32	.30	.33	.31	.29	.33	.31	.29	.29
7	.32	.29	.27	.32	.29	.27	.31	.29	.27	.31	.28	.27	.30	.28	.26	.26
8	.30	.27	.25	.29	.27	.24	.29	.26	.24	.29	.26	.24	.28	.26	.24	.23
9	.28	.24	.22	.27	.24	.22	.27	.24	.22	.26	.24	.22	.26	.24	.22	.21
10	.25	.22	.20	.25	.22	.20	.25	.22	.20	.24	.22	.20	.24	.22	.20	.19

20% FLOOR CAVITY REFLECTANCE  
Conversion Factors: Opal Diffuser, cu x 0.8; Clear Shielding, cu x 1.0.

### White Reflector Cone (WH)

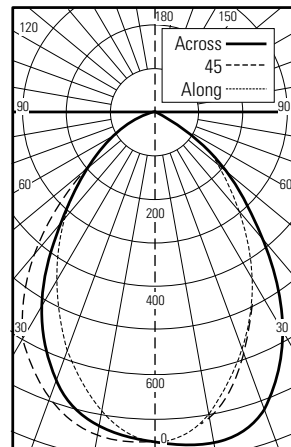
#### Quick Calculator



This quick calculator chart determines the number and spacing of 1 lt.- 42W PL-T units with Fresnel Lens and White Cone for any level of illumination. Conversion factors: Opal diffuser, fc x 0.8; Clear Shielding, fc x 1.0.

#### Spacing Ratio = 1.2

CERTIFIED TEST REPORT NO. 0071FR  
COMPUTED BY LSI PROGRAM \*\*TEST-LITE\*\*  
CALCULITE 7 3/16" DIAMETER RECESSED FLUORESCENT LENSED DOWNLIGHT  
SEMI-SPECULAR REFLECTOR WITH WHITE CONE AND FRESNEL LENS  
LUMEN RATING = 3200 LMS. 1-42W PL-T LAMP



ANGLE	CANDLEPOWER					
	ALONG	22.5	45	67.5	ACROSS	LUMENS
0	753	753	753	753	753	
5	740	727	739	753	765	35
10	700	679	712	746	774	
15	643	612	660	712	757	95
20	377	532	591	656	718	
25	514	460	517	585	660	124
30	448	394	444	506	581	
35	382	342	376	422	486	124
40	314	294	312	341	387	
45	249	243	252	269	295	101
50	188	190	197	209	223	
55	134	139	144	156	163	66
60	90	94	98	104	109	
65	59	62	64	67	68	34
70	43	47	42	48	48	
75	30	33	33	33	34	17
80	17	20	20	20	21	
85	5	7	7	7	7	5
90	0	0	0	0	0	

ZONAL LUMENS AND PERCENTAGES			
ZONE	LUMENS	% LAMP	% LUMINAIRE
0-30	531	16.60	42.26
0-40	802	25.07	63.82
0-60	1150	35.96	91.55
0-90	1256	39.23	100.00
40-90	454	14.21	36.18
60-90	106	3.32	8.45
90-180	0	.00	.00
0-180	1256	39.28	100.00

\*\* EFFICIENCY = 39.3% \*\*

#### Coefficients Of Utilization

ROOM CAVITY RATIO	% EFFECTIVE CEILING CAVITY REFLECTANCE															
	80				70				50				30			
	50	30	10	0	50	30	10	0	50	30	10	0	50	30	10	0
1	.43	.41	.40	.42	.41	.40	.40	.39	.39	.39	.38	.37	.37	.37	.36	.36
2	.39	.37	.35	.38	.36	.35	.37	.35	.34	.36	.35	.33	.35	.34	.33	.32
3	.35	.33	.31	.35	.33	.31	.34	.32	.31	.33	.31	.30	.32	.31	.30	.29
4	.33	.30	.28	.32	.30	.28	.31	.29	.28	.30	.29	.27	.27	.28	.27	.26
5	.30	.27	.26	.30	.27	.25	.29	.26	.25	.28	.26	.25	.27	.26	.24	.24
6	.27	.25	.23	.27	.24	.23	.26	.24	.22	.26	.24	.22	.25	.23	.22	.21
7	.25	.22	.20	.25	.22	.20	.24	.22	.20	.24	.22	.20	.23	.21	.20	.19
8	.23	.20	.18	.23	.20	.18	.22	.20	.18	.22	.20	.18	.22	.20	.18	.17
9	.21	.19	.17	.21	.18	.17	.21	.18	.16	.20	.18	.16	.20	.18	.16	.16
10	.20	.17	.15	.19	.17	.15	.19	.17	.15	.19	.16	.15	.18	.16	.15	.14

20% FLOOR CAVITY REFLECTANCE  
Conversion Factors: Opal Diffuser, cu x 0.8; Clear Shielding, cu x 1.0.

### Job Information Type:

631 Airport Road, Fall River, MA 02720 • (508) 679-8131 • Fax (508) 674-4710  
We reserve the right to change details of design, materials and finish.  
www.lightolier.com © 2008 Philips Group • A0808