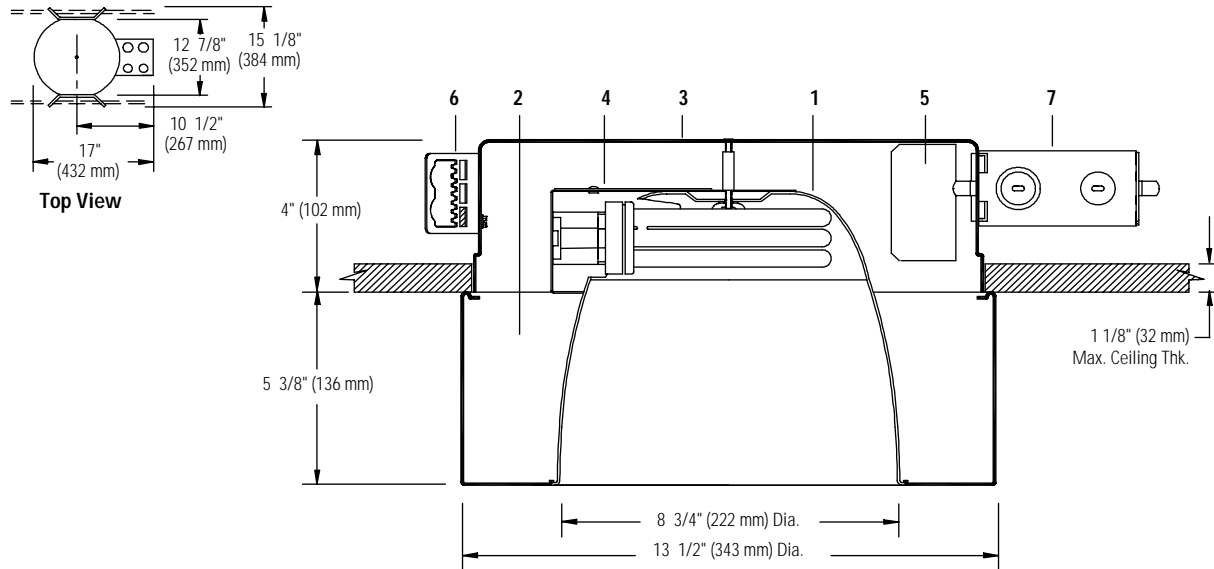


Calculite® Compact Fluorescent Downlight **8038/SR8242**



Ceiling Cutout: 13" (330 mm) Dia.

Reflector Trim		Frame-In Kit		Lamps
8038CL	Specular Clear	SR8242U	Electronic	120V-277V
8038CCL	Comfort Clear™	SR8242JUM7	Advance Mark VII® Dimming	120V-277V
8038CCD	Comfort Clear Diffuse™			2-26/32/42W Triple Tube
8038WH	White			4-Pin

Features

- Reflector:** Alzak® aluminum, 16 ga.; 50° visual cutoff to lamp and lamp image. Iridescence Free™ finish eliminates rainbowing without degrading optical performance. Minimum flange. Aperture appearance matches recessed unit (see Specification Sheet No. 8038).
- Housing Cylinder:** 16 ga., seamless aluminum with returned edge precisely seats flush with reflector without exposed edge. Painted white finish.
- Recessed Housing:** Hydroformed heavy aluminum, 14 ga. Accepts other 8 3/4" triple tube reflector trims.
- Socket Support:** Die-formed steel with venting to dissipate heat and assures lamps maintain proper optical alignment to reflector. Can be rotated with reflector/louwer for horizontal alignment. Pre-wired with No. 18 ga. AWM leads.
- Ballast:** Universal 120-277V, electronic, short circuit and end-of-lamp life protection, THD<10%, Class P, high power factor, No PCBs, FCC approved, quiet operation. 100%-5% dimming range for Advance Mark VII®. For additional information, see **Ballast** and **Dim-Advance** Specification Sheets.
- Mounting Brackets:** 16 ga. steel. Adjust from inside of fixture. Use 3/4" or 1 1/2" lathing channel, 1/2" EMT, or optional mounting bars.
- Junction Box:** 16 ga. steel, 4" x 4" x 2" box allows inspection from below.

Options and Accessories

Other Dimming Ballasts	Consult Factory
Mounting Bars	1950 - 18" set of (2)
	1951 - 27" set of (2)
T-Bars Anchor Clips	1956 - set of (4) for use w/ above
Wood Joist Telescoping Bars	7994 - set of (2)
Chicago Plenum	Consult Factory
Fuse (Slow Blow)	Add Suffix F to Frame-In Kit

Electrical

UL listed for through branch circuit wiring with max. of (8) No. 12 AWG, 90°C supply conductors.

Dimming Control

Use with dimmers specially designed for use with dimming ballast. For additional information, see Lightolier Controls Catalog, or call Lightolier Controls at 800-526-2731, or visit website at www.lolcontrols.com.

Labels

UL listed for damp locations, I.B.E.W.

Alzak® is a registered trademark of ALCOA.

Mark VII® is a registered trademark of Advance Transformer Company.

Job Information	Type:
Job Name:	
Cat. No.:	
Lamp(s):	
Notes:	

Lightolier a Genlyte Thomas Company www.lightolier.com
 631 Airport Road, Fall River, MA 02720 • (508) 679-8131 • Fax (508) 674-4710
 We reserve the right to change details of design, materials and finish.
 © 2002 Genlyte Thomas Group LLC (Lightolier Division) • A0902

LIGHTOLIER®

