

Ordering Information

Catalog No.	Finishes	Mounting	Lamps
7637	Matte White	All Lytespan Track Systems	PAR36 (5.5V & 12V) 50W Max.
7638	Matte Black		

Features

- Lytespan Attachment Fitting:** molded polycarbonate .075" wall thickness. Integral color.
- Expansion Clamp:** fingertip squeeze-release for quick attachment; thumbscrew lock for rigid mounting.
- Housing:** .040" aluminum.
- Trunion Mounting:** tensioned with internal spring washer and vibration resistant nut.
- Movable Brass Contact:** extends for connection to 2nd circuit in Advent Lytespan Track.
- Retaining Ring for Filters, Lenses, Louver**
- Lever:** locks attachment fitting electrically and mechanically anywhere along track.
- Pivot Mounting:** tensioned; 350° stop for horizontal adjustment.
- Yoke:** .093" steel.
- Polarity Keyway**
- Snap-In Socket:** eliminates need to attach leads to lamp terminals, rotates 90° for beam orientation.
- Transformer:** 50W, magnetic transformer 200°C insulation system 120V primary voltage. 5.5v or 12v dual tap secondary
- Switch:** two position slide for 5.5v or 12v operation.

Electrical/Dimming

Low voltage magnetic transformer designed to operate continuously at ambient temperatures inside housing; built-in switch permits change of voltage, 5.5v. or 12v. operation. Snap-in socket snaps onto lamp contacts. No. 18 SF-1 Leads, fiberglass braid outer sleeve. Use only variable autotransformer dimmers or electronic dimmers specifically designed for use with magnetic transformers such as Lightolier Lytemode, Scenist or Precision LV Series or equivalent.

Options & Accessories

4 3/4" Dia. Series Color Filters, Heat Filter, Spread Lenses and Louver

Finish

All painted finishes baked enamel.

Labels

UL; I.B.E.W.

Job Information

Type:

Job Name:

Cat. No.:

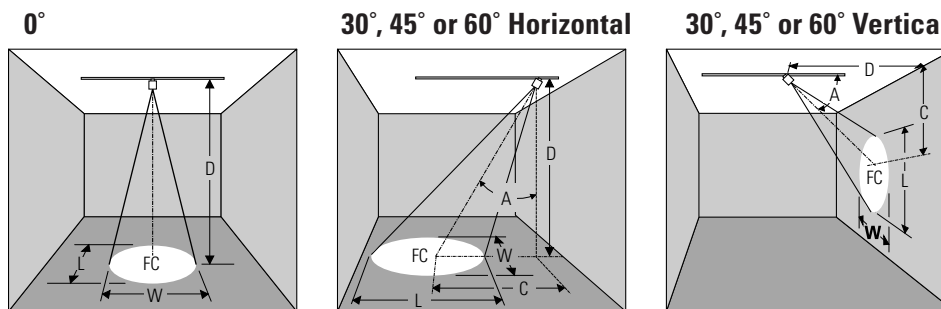
Lamp(s):

Notes:

Lighting Data Aiming Angle

- L** Beam Length
- W** Beam Width
- C** Distance to center beam
- D** Distance
- A** Aiming Angle
- FC** Footcandles

L and W are the outer points where the candle power drops to 50% of the maximum. FC are the initial footcandles at the center of the beam.



Lamp	Beam Spread 50% Max. CP	Beam Center C.P. Candelas	Rated Life-Hrs	0° Aiming Angle					A=30° Aiming Angle					A=45° Aiming Angle					A=60° Aiming Angle				
				D	FC	L	W	D	C	FC	L	W	D	C	FC	L	W	D	C	FC	L	W	
25W PAR36 (5.5V)	2.5x37°	30,000	1,000	10'	300	0.4'	0.5'	8'	4.6'	304	0.5'	0.5'	6'	6.0'	295	0.5'	0.4'	4'	6.9'	234	0.7'	0.4'	
25W PAR36 WFL	2.5x37°	360	2,000	15'	133	0.7'	0.6'	12'	6.9'	135	0.7'	0.7'	9'	9.0'	131	0.8'	0.7'	6'	10.4'	104	1.0'	0.6'	
25W PAR36 VWFL	55°	160	2,000	20'	75	0.9'	1.0'	16'	9.2'	76	0.9'	0.9'	12'	12.0'	74	1.0'	0.9'	8'	13.9'	59	1.4'	0.8'	
25W PAR36 VNSP (T-H)	5°	25,000	4,000	25'	48	1.1'	1.3'	20'	11.5'	49	1.2'	1.2'	15'	15.0'	47	1.3'	1.1'	10'	17.3'	38	1.7'	1.0'	
35W PAR36 NSP (T-H)	6°	6,000	4,000	2'	90	0.9'	1.3'	2'	1.2'	58	1.2'	1.5'	2'	2.0'	32	1.9'	1.9'	1'	1.7'	45	2.1'	1.3'	
35W PAR36 WFL (T-H)	30°	900	4,000	3'	40	1.3'	2.0'	3'	1.7'	26	1.6'	2.3'	3'	3.0'	14	2.8'	2.8'	2'	3.5'	11	4.2'	2.7'	
36W PAR36 NSP (T-H)	13°	3,500	4,000	4'	23	1.8'	2.7'	4'	2.3'	15	2.4'	3.1'	4'	4.0'	8	3.7'	3.8'	3'	5.2'	5	6.2'	4.0'	
50W PAR36 VNSP (T-H)(GE)	5°	40,000	4,000	5'	14	2.2'	3.3'	5'	2.9'	9	3.0'	3.9'	5'	5.0'	5	4.7'	4.7'	4'	6.9'	3	8.3'	5.4'	
50W PAR36 VNSP (T-H)(Philips)	40°	600	2,500	2'	40	2.1'	2.1'	2'	1.2'	26	3.1'	2.4'	2'	2.0'	14	5.7'	2.9'	1'	1.7'	20	22.3'	2.1'	
50W PAR36 NSP (T-H)	8°	11,000	4,000	3'	18	3.1'	3.1'	3'	1.7'	12	4.6'	3.6'	3'	3.0'	6	8.5'	4.4'	2'	3.5'	5	44.5'	4.2'	
50W PAR36 WFL (T-H)	30°	1,300	4,000	4'	10	4.2'	4.2'	4'	2.3'	6	6.1'	4.8'	4'	4.0'	4	11.4'	5.9'	3'	5.2'	2	66.8'	6.2'	
50W PAR36 VWFL	55°	240	2,000	5'	6	5.2'	5.2'	5'	2.9'	4	7.6'	6.0'	5'	5.0'	2	14.3'	7.4'	4'	6.9'	1	89.1'	6.3'	
				10'	250	0.9'	0.9'	8'	4.6'	254	0.9'	0.8'	6'	6.0'	246	1.0'	0.7'	4'	6.9'	185	1.4'	0.7'	
				15'	111	1.3'	1.3'	12'	6.9'	113	1.4'	1.2'	9'	9.0'	108	1.6'	1.1'	6'	10.4'	87	2.1'	1.1'	
				20'	63	1.7'	1.7'	16'	9.2'	63	1.9'	1.9'	12'	12.0'	61	2.1'	1.5'	8'	13.9'	49	2.8'	1.4'	
				25'	40	2.2'	2.2'	20'	11.5'	41	2.3'	2.3'	15'	15.0'	39	2.6'	1.9'	10'	17.3'	31	3.5'	1.7'	
				7'	163	1.0'	1.0'	6'	3.5'	144	1.1'	1.0'	4'	4.0'	177	1.1'	0.8'	2'	3.5'	250	1.1'	0.6'	
				10'	80	1.4'	1.4'	9'	5.2'	64	1.7'	1.5'	6'	6.0'	79	1.7'	1.2'	3'	5.2'	111	1.7'	0.8'	
				13'	47	1.8'	1.8'	12'	6.9'	36	2.2'	1.9'	8'	8.0'	44	2.2'	1.6'	8'	8.9'	63	2.3'	1.1'	
				16'	31	2.2'	2.2'	15'	8.7'	23	2.8'	2.4'	10'	10.0'	28	2.8'	2.0'	5'	8.7'	40	2.89'	1.4'	
				3'	100	1.6'	1.6'	3'	1.7'	65	2.2'	1.9'	2'	2.0'	80	2.3'	1.5'	1'	1.7'	113	2.7'	1.1'	
				5'	36	2.7'	2.7'	5'	2.9'	23	3.7'	3.1'	3'	3.0'	35	3.5'	2.3'	2'	3.5'	28	5.5'	2.1'	
				7'	18	3.8'	3.8'	7'	4.0'	12	5.1'	4.3'	4'	4.0'	20	4.6'	3.0'	3'	5.2'	13	8.2'	3.2'	
				9'	11	4.8'	4.8'	9'	5.2'	7	6.6'	5.6'	5'	5.0'	13	5.8'	3.8'	4'	6.9'	7	10.9'	4.3'	
				6'	97	1.4'	1.4'	5'	2.9'	91	1.5'	1.3'	3'	3.0'	137	1.4'	1.0'	2'	3.5'	109	1.9'	0.9'	
				8'	55	1.8'	1.8'	7'	4.0'	46	2.1'	1.6'	5'	5.0'	49	2.3'	1.6'	3'	5.2'	49	2.8'	1.4'	
				10'	35	2.3'	2.3'	9'	5.2'	28	2.7'	2.4'	7'	7.0'	25	3.2'	2.3'	4'	6.9'	27	3.9'	1.8'	
				12'	24	2.7'	2.7'	11'	6.4'	19	3.4'	2.9'	9'	9.0'	15	4.2'	2.9'	5'	8.7'	18	4.7'	2.3'	
				15'	176	1.3'	1.3'	10'	5.8'	260	1.2'	1.0'	8'	8.0'	221	1.4'	1.0'	5'	8.7'	200	1.8'	0.9'	
				20'	100	1.7'	1.7'	15'	8.7'	115	1.7'	1.5'	12'	12.0'	98	2.1'	1.5'	8'	13.9'	78	2.8'	1.4'	
				25'	64	2.2'	2.2'	20'	11.5'	65	2.3'	2.0'	16'	16.0'	55	2.8'	2.0'	11'	19.1'	41	3.9'	1.9'	
				30'	44	2.6'	2.6'	25'	14.4'	42	2.9'	2.5'	20'	20.0'	35	3.5'	2.5'	14'	24.2'	26	4.9'	2.4'	
				15'	222	1.4'	1.4'	10'	5.8'	325	1.3'	1.1'	8'	8.0'	276	1.5'	1.1'	5'	8.7'	250	1.9'	1.0'	
				20'	125	1.9'	1.9'	15'	6.7'	144	1.9'	1.7'	12'	12.0'	123	2.3'	1.6'	8'	13.9'	98	3.1'	1.5'	
				25'	80	2.4'	2.4'	20'	11.5'	81	2.6'	2.2'	16'	16.0'	69	3.1'	2.2'	11'	19.1'	52	4.3'	2.1'	
				30'	56	2.9'	2.9'	25'	14.4'	52	3.2'	2.8'	20'	20.0'	44	3.9'	2.7'	14'	24.2'	32	5.4'	2.7'	
				8'	172	1.1'	1.1'	7'	4.0'	146	1.3'	1.1'	5'	5.0'	156	1.4'	1.0'	3'	5.2'	153	1.7'	0.8'	
				12'	76	1.7'	1.7'	10'	5.8'	71	1.9'	1.0'	7'	7.0'	79	2.0'	1.4'	4'	6.9'	86	2.3'	1.1'	
				16'	43	2.2'	2.2'	13'	7.9'	42	2.4'	2.1'	9'	9.0'	48	2.5'	1.6'	5'	8.7'	55	2.8'	1.4'	
				20'	28	2.8'	2.8'	16'	9.2'	28	3.0'	2.6'	11'	11.0'	32	3.1'	2.2'	6'	10.4'	38	3.4'	1.7'	
				3'	144	1.6'	1.6'	3'	1.7'	84	2.7'	1.9'	2'	2.0'	115	2.3'	1.5'	1'	1.7'	163	2.7'	1.1'	
				5'	52	2.7'	2.7'	5'	2.9'	34	3.7'	3.1'	3'	3.0'	51	3.5'	2.3'	2'	3.5'	41	5.5'	2.1'	
				7'	27	3.8'	3.8'	7'	4.0'	17	5.1'	4.3'	4'	4.0'	28	4.6'	3.0'	3'	5.2'	18	8.2'	3.2'	
				9'	16	4.8'	4.8'	9'	5.2'	10	6.6'	5.6'	5'	5.0'	18	5.8'	3.8'	4'	6.9'	10	10.9'	4.3'	
				2'	60	2.1'	2.1'	2'	1.2'	39	3.1'	2.4'	2'	2.0'	21	5.7'	2.9'	1'	1.7'	30	22.3'	2.1'	
				3'	27	3.1'	3.1'	3'	1.7'	17	4.6'	3.6'	3'	3.0'	9	8.6'	4.4'	2'	3.5'	8	44.5'	4.2'	
				4'	15	4.2'	4.2'	4'	2.3'	10	6.1'	4.8'	4'	4.0'	5	11.4'	5.9'	3'	5.2'	3	66.8'	6.2'	
				5'	10	5.2'	5.2'	5'	2.9'	6	7.6'	6.0'	5'	5.0'	3	14.3'	7.4'	4'	6.9'	2	89.1'	8.3'	

Job Information	Type:
------------------------	--------------