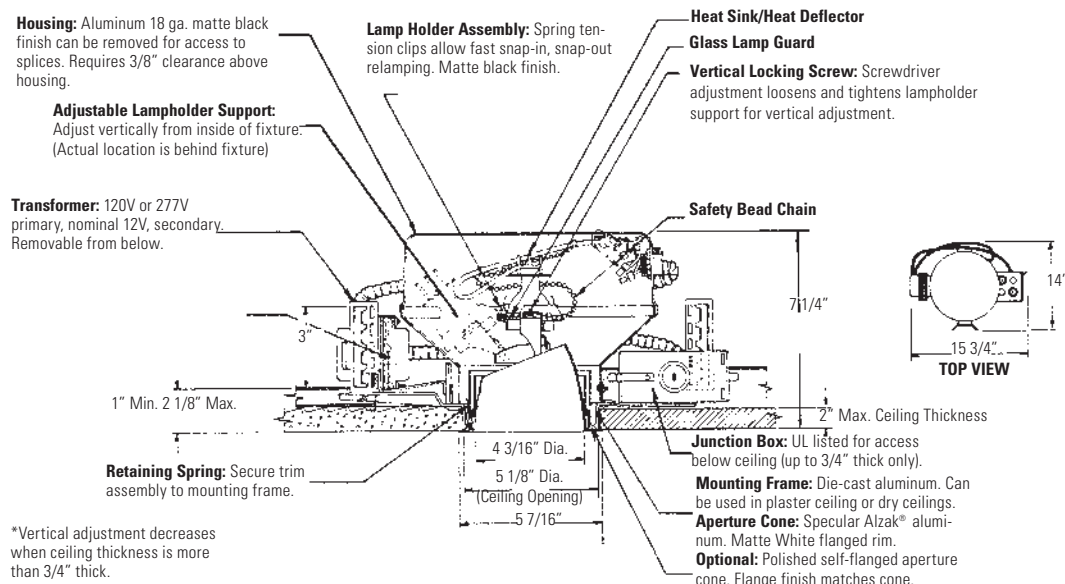


7037/31128
7037/31129
7037/31130



Catalog Number

Reflector Trim	Description	Frame Housing	Lamps	Housing Diameter	Recessed Width		Recessed Height
					Max.	Min.	
31128	Specular Clear Alzak® White Flange	7037	42W, 50W, 75W MR16 12V	9 3/4"	15 3/4"	14"	7 1/4"
31129	Specular Gold Alzak® White Flange						
31130	Specular Black Alzak® White Flange						

ACCESSORIES 2" Dia. Spread Lens and Color Filter

General Description

Recessed, adjustable, low-brightness accent light for horizontal or vertical surfaces. Utilizes the miniature low-voltage MR-16 lamp which provides a precisely controlled beam spread from narrow to wide, an efficient beam that concentrates the light where wanted. Matte black lampholder supports lamp and protective glass lamp guard. Complete lampholder/lamp assembly provides up to 40° adjustment between vertical and rotates horizontally 358°. The relationship between the lamp aiming angle and the aperture is consistently maintained. Retaining springs assure ease of installation. May also be used with louver, color filters and spread lens accessories.

Mechanical

Provided with (2) adjustable 16 ga. steel mounting brackets; suitable for 3/4" and 1-1/2" lathing channels (by others), or optional mounting bars, Cat. No. 1950 (18") or 1951 (27"). COMPLETE HOUSING MUST BE INSTALLED BEFORE CEILING IS FINISHED.

Finish

All painted finishes baked enamel.

Electrical

Low voltage transformer operates at nominal 12V. Primary taps in junction box for either 120V or 277V supply connection. Socket prewired with No. 18 SF-1 leads to 2" x 4" x 4" junction box; 14ga. Steel. UL listed for through branch circuit wiring (access above ceiling not required). For 8 No. 12, 75°C supply conductors, or 60°C supply conductors for end of run. For dimming control, use only variable autotransformer dimmers or electronic dimmers specifically designed for use with transformers. Such as Lightolier Lytemode, Scenist or Precision VA Series or equivalent.

Thermally Protected

Protected against over-heating from improperly placed insulation.

Accessories

Sloped ceiling adapter—See Lightolier Specification Sheet SCA. T-Bar Mounting Clips, Cat. No. 1956, for use with mounting bars 1950 or 1951 when installing fixture in exposed T-Bar ceilings. Adjustable Telescoping Mounting Bars, Cat. No. 7994 for installation in wood joists.

Labels

UL Listed (Suitable for Damp Locations) I.B.E.W., CSA

Job Information

Type:

Job Name:

Cat. No.:

Lamp(s):

Notes:

Lighting Performance Data

	EZX 20W MR-16 VNSP	ESX 20W MR-16 NSP	BAB 20W MR-16 FL	EZY 42W MR-16 VNSP	EXT 50W MR-16 NSP
FOOTCANDLES (On Beam Center at 6')	250	92	13	333	254
BEAM SPREAD (to 50% Max. CP)	5°x7°	10°x13°	36°x37°	7°x9°	11°x13°
MAX. CANDLEPOWER (Candelas)	9,000	3,300	460	12,000	9,150
RATED LIFE (Hours)	3,000	2,000	2,000	3,000	3,000
COLOR TEMPERATURE	2,925°K	2,950°K	2,950°K	3,000°K	3,025°K
0° AIMING ANGLE Illumination on Horizontal Plane	D FC L W 7' 184 0.6' 0.9' 10' 90 0.9' 1.2' 13' 53 1.1' 1.6' 16' 35 1.4' 2.0'	D FC L W 6' 97 1.0' 1.4' 8' 52 1.4' 1.9' 10' 33 1.7' 2.3' 12' 23 2.1' 2.7'	D FC L W 2' 115 1.3' 1.3' 4' 29 2.6' 2.7' 6' 13 3.9' 4.0' 8' 7 5.2' 5.3'	D FC L W 8' 188 1.0' 1.3' 12' 83 1.5' 1.9' 16' 47 2.0' 2.5' 20' 30 2.5' 3.1'	D FC L W 7' 187 1.3' 1.6' 10' 92 1.9' 2.3' 13' 54 2.5' 3.0' 16' 35 3.1' 3.6'
30° AIMING ANGLE Illumination on Horizontal Plane	D FC L W 6' 162 0.7' 0.8' 9' 72 1.0' 1.3' 12' 41 1.4' 1.7' 15' 26 1.7' 2.1'	D FC L W 4' 134 0.9' 1.1' 6' 60 1.4' 1.6' 8' 33 1.9' 2.1' 10' 21 2.3' 2.6'	D FC L W 2' 75 1.8' 1.5' 4' 19 3.6' 3.1' 6' 8 5.4' 4.6' 8' 5 7.2' 6.1'	D FC L W 7' 159 1.1' 1.3' 10' 77 1.6' 1.8' 13' 46 2.1' 2.4' 16' 30 2.6' 2.9'	D FC L W 6' 165 1.5' 1.6' 9' 73 2.3' 2.4' 12' 41 3.1' 3.2' 15' 26 3.9' 3.9'
30° AIMING ANGLE Illumination on Vertical Plane	D FC L W 2' 281 0.7' 0.5' 3' 125 1.1' 0.7' 4' 70 1.4' 1.0' 5' 45 1.8' 1.2'	D FC L W 2' 103 1.4' 0.9' 3' 46 2.1' 1.4' 4' 26 2.9' 1.8' 5' 17 3.6' 2.3'	D FC L W 1' 58 3.0' 1.3' 2' 14 7.6' 2.7' 3' 6 11.4' 4.0' 4' 4 15.2' 5.3'	D FC L W 3' 167 1.5' 0.9' 4' 94 2.0' 1.3' 5' 60 2.5' 1.6' 6' 41 3.0' 1.9'	D FC L W 2' 286 1.6' 0.9' 3' 127 2.4' 1.4' 4' 71 3.2' 1.8' 5' 46 4.0' 2.3'

FC is initial footcandles at center of beam. L and W are to the point that the candlepower drops to 50% of maximum

	EZX 50W MR-16 NFL	EXN 50W MR-16 FL	EYF 75W MR-16 NSP	EYC 75W MR-16 FL
FOOTCANDLES (On Beam Center at 6')	83	47	319	56
BEAM SPREAD (to 50% Max. CP)	22°x27°	37°x39°	14°x15°	38°x40°
MAX. CANDLEPOWER (Candelas)	3,000	1,500	11,500	2,000
RATED LIFE (Hours)	3,000	3,000	3,500	3,500
COLOR TEMPERATURE	3,025°K	3,050°K	3,025°K	3,050°K
0° AIMING ANGLE Illumination on Horizontal Plane	D FC L W 6' 83 2.3' 2.9' 8' 47 3.1' 3.8' 10' 30 3.9' 4.8' 12' 21 4.7' 5.8'	D FC L W 4' 94 2.7' 2.8' 6' 42 4.0' 4.2' 8' 23 5.4' 5.7' 10' 15 6.7' 7.1'	D FC L W 8' 180 2.0' 2.1' 12' 80 2.9' 3.2' 16' 45 3.9' 4.2' 20' 29 4.9' 5.3'	D FC L W 4' 125 2.8' 2.9' 6' 56 4.1' 4.4' 8' 31 5.5' 5.8' 10' 20 6.9' 7.3'
30° AIMING ANGLE Illumination on Horizontal Plane	D FC L W 4' 122 2.1' 2.2' 6' 54 3.1' 3.3' 8' 30 4.2' 4.4' 10' 19 5.2' 5.5'	D FC L W 3' 108 2.8' 2.5' 5' 39 4.6' 4.1' 7' 20 6.5' 5.7' 9' 12 8.3' 7.4'	D FC L W 7' 152 2.3' 2.1' 10' 75 3.3' 3.0' 13' 44 4.3' 4.0' 16' 29 5.3' 4.9'	D FC L W 3' 144 2.5' 2.5' 5' 52 4.8' 4.2' 7' 27 6.3' 5.9' 9' 16 6.5' 7.6'
30° AIMING ANGLE Illumination on Vertical Plane	D FC L W 2' 94 3.5' 1.9' 3' 42 5.3' 2.9' 4' 23 7.0' 3.8' 5' 15 8.8' 4.8'	D FC L W 1' 188 4.0' 1.4' 2' 47 8.1' 2.8' 3' 21 12.1' 4.2' 4' 12 16.1' 5.7'	D FC L W 3' 160 3.1' 1.6' 4' 90 4.1' 2.1' 5' 58 5.1' 2.6' 6' 40 6.2' 3.2'	D FC L W 1' 250 4.3' 1.5' 2' 63 8.6' 2.9' 3' 28 12.9' 4.4' 4' 16 17.1' 5.8'

FC is initial footcandles at center of beam. L and W are to the point that the candlepower drops to 50% of maximum

Job Information	Type:
------------------------	--------------