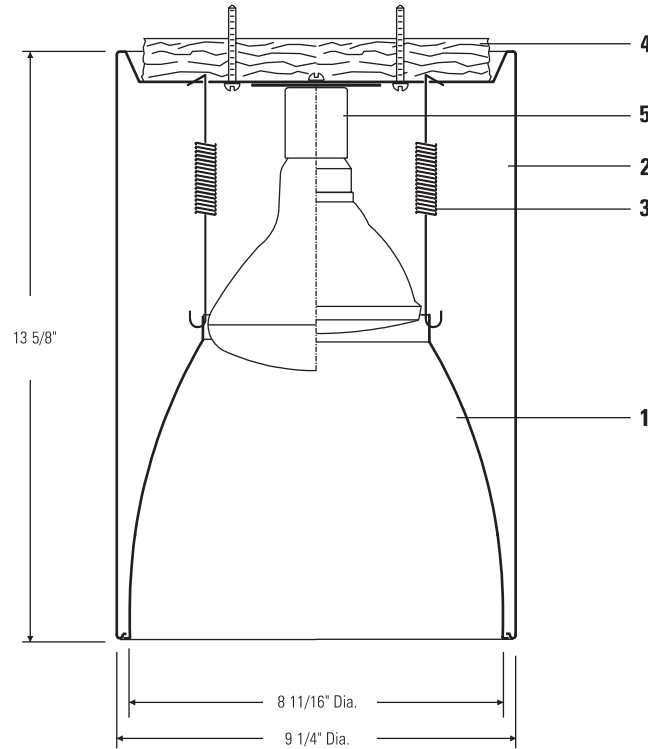




Calculite® Incandescent Surface Cylinder 7026AO



Catalog Number	Lamp
7026AO	PAR38, 150W (cool beam)
Matte white housing with specular clear reflector	PAR38, 250W (T.H.)
	R40, 300W
	BR40, 300W

Features

- Reflector:** 16 ga. Specular clear Alzak® aluminum. 50° visual cut-off to lamp and lamp image.
- Housing:** One piece spun 16 ga. aluminum with returned bottom edge to seat reflector, no visible hardware. Matte white baked enamel finish.
- Retaining Springs:** Coil steel springs secure reflector to housing.
- Heat Insulator:** Fiberglass bulk insulation.
- Socket:** Medium base porcelain, nickel plated screw shell.

Options & Accessories

Stem Kit: 7249 Matte white

Permits surface units to be stem mounted. Supplied with 1/2" dia. and 5 1/2" dia. canopy. 37 5/8" O.A. Length. Stem can be cut to length at the job site. Self aligning swivel provides up to 41° vertical adjustment.

Other reflector and housing finishes consult factory.



Alzak® is a registered trademark of ALCOA.

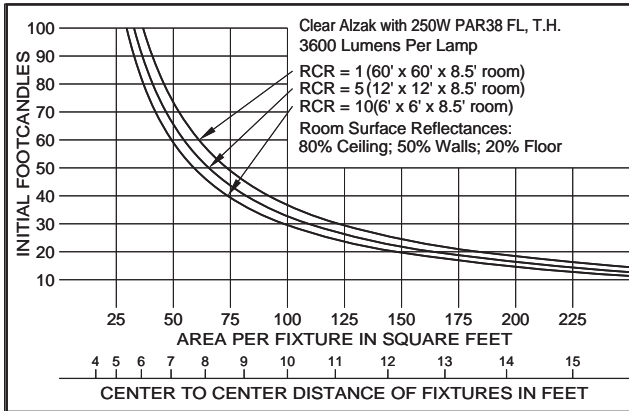
Electrical

Requires 75°C Supply wires. No.18 SF-1 leads to porcelain socket.

Labels

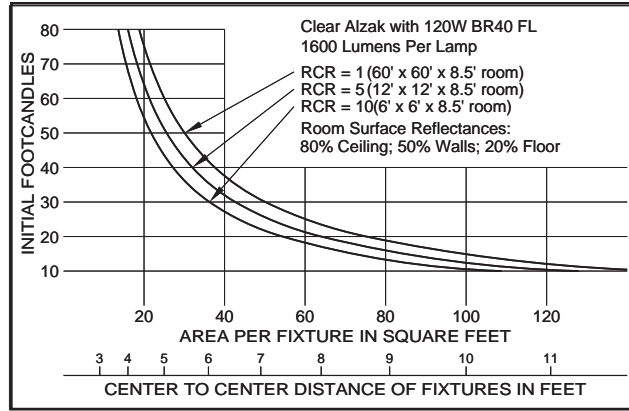
UL Listed for damp locations, I.B.E.W.

Job Information	Type:
Job Name:	
Cat. No.:	
Lamp(s):	
Notes:	



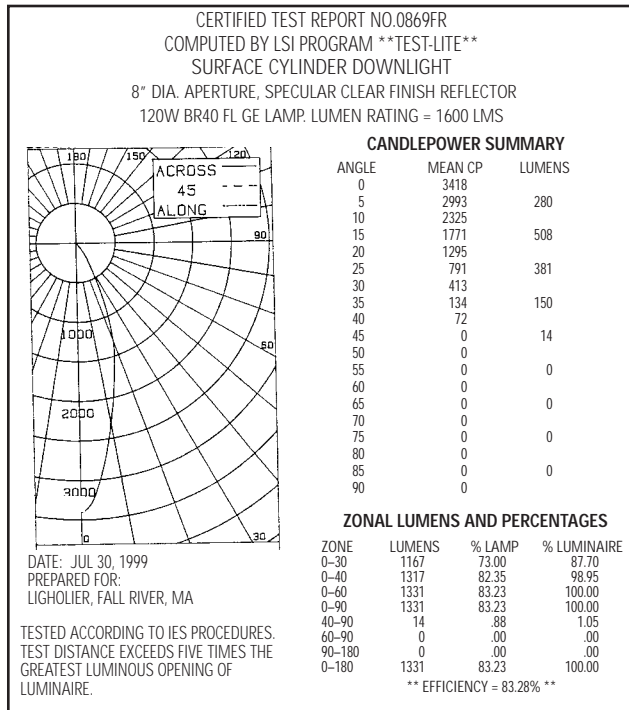
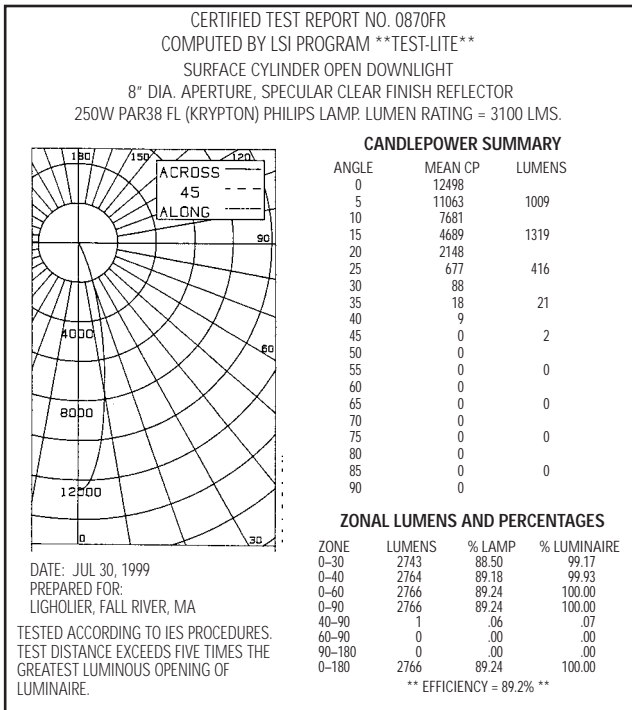
Use quick calculator chart to determine spacing of luminaires for desired level of illumination.
Conversion Factors:
100W PAR38 FL IR, F.C. X 0.6
120W PAR38 FL, F.C. X 0.5
90W PAR38 FL, F.C. X 0.4
75W & 65W IR PAR38 FL, F.C. X 0.3

SPACING RATIO = 0.4



Use quick calculator chart to determine spacing of luminaires for desired level of illumination.
Conversion Factors:
300W R40 FL, F.C. X 2.2
90W BR40 FL, F.C. X 0.7
75W BR40 FL, F.C. X 0.5

SPACING RATIO = 0.5



COEFFICIENTS OF UTILIZATION
%EFFECTIVE CEILING CAVITY REFLECTANCE

ROOM CAVITY RATIO	% WALL REFLECTANCE															
	80		70		50		30		10		0					
	50	30	10	50	30	10	50	30	10	50	30	10	0			
1	1.02	1.01	.99	1.00	.99	.98	.96	.96	.95	.93	.93	.92	.90	.90	.89	.88
2	.98	.96	.94	.97	.92	.93	.94	.93	.91	.92	.91	.90	.89	.89	.88	.87
3	.95	.93	.91	.94	.92	.91	.93	.91	.89	.91	.89	.88	.89	.88	.87	.86
4	.93	.91	.89	.92	.90	.88	.91	.89	.87	.89	.87	.86	.88	.86	.85	.84
5	.91	.88	.86	.90	.87	.86	.89	.87	.85	.88	.86	.84	.86	.85	.84	.83
6	.89	.86	.85	.89	.86	.84	.88	.85	.84	.87	.85	.83	.86	.84	.83	.82
7	.87	.85	.83	.87	.84	.82	.86	.84	.82	.85	.83	.81	.84	.83	.81	.81
8	.86	.83	.81	.82	.83	.81	.84	.82	.81	.84	.82	.81	.84	.82	.80	.79
9	.84	.82	.80	.84	.81	.80	.83	.81	.79	.83	.80	.79	.82	.80	.79	.78
10	.82	.80	.78	.82	.80	.78	.82	.79	.78	.81	.79	.78	.81	.79	.77	.77

20% FLOOR CAVITY REFLECTANCE
Conversion Factor: 45W to 250W PAR38 FL, C.U. x 1.0

COEFFICIENTS OF UTILIZATION
%EFFECTIVE CEILING CAVITY REFLECTANCE

ROOM CAVITY RATIO	% WALL REFLECTANCE															
	80		70		50		30		10		0					
	50	30	10	50	30	10	50	30	10	50	30	10	0			
1	.94	.93	.91	.93	.91	.90	.89	.88	.87	.86	.85	.85	.83	.83	.82	0
2	.90	.88	.86	.89	.87	.85	.86	.85	.83	.84	.83	.81	.82	.81	.80	.81
3	.87	.84	.82	.86	.83	.81	.84	.82	.80	.82	.80	.79	.80	.79	.78	.79
4	.84	.81	.78	.83	.80	.78	.81	.79	.77	.80	.76	.76	.78	.77	.75	.76
5	.80	.77	.75	.80	.77	.74	.78	.76	.74	.77	.75	.73	.76	.74	.73	.74
6	.78	.75	.72	.77	.74	.72	.76	.74	.72	.75	.73	.71	.74	.72	.71	.72
7	.75	.72	.69	.75	.72	.69	.74	.71	.69	.73	.70	.68	.72	.70	.68	.70
8	.73	.69	.67	.72	.69	.67	.71	.69	.67	.71	.68	.66	.70	.68	.66	.67
9	.70	.67	.64	.70	.67	.64	.69	.66	.64	.69	.66	.64	.68	.65	.64	.65
10	.68	.65	.62	.68	.65	.62	.67	.64	.62	.67	.64	.62	.66	.64	.62	.63

20% FLOOR CAVITY REFLECTANCE
Conversion Factor:
65W to 120W BR40FL, C.U. x 1.0; 300W R40FL, C.U. x .95

Job Information Type:

Lightolier a Genlyte Thomas Company www.lightolier.com
631 Airport Road, Fall River, MA 02720 • (508) 679-8131 • Fax (508) 674-4710
We reserve the right to change details of design, materials and finish.
© 2002 Genlyte Thomas Group LLC (Lightolier Division) • A0902

LIGHTOLIER®