

Ordering Information

Catalog No.	Finishes	Track Mountings	Lamps
6273T WH 6273T BK 6273T AL	Matte White Matte Black Metallic Aluminum	All Lytespan Track Systems	MR16 TAL 50W Max.

Features

- 1. Ring:** Die-cast aluminum with cool grip insulation band, a high temperature silicone rubber which allows aiming adjustments while fixture is on.
- 2. Socket:** TAL (Twist and Lock) base socket wired with 18 ga. stranded Teflon leads with fiberglass outer sleeve.
- 3. Transformer:** Electronic low voltage transformer with integral radio frequency interference filter and anti-crossover circuit for increased reliability; housed in extruded aluminum.
- 4. Track Attachment Fitting:** Molded polycarbonate, rotates into track and locks on with push tab; integral polarity key guard.
- 5. Push Tab:** Locks and detaches unit from track.
- 6. Brass Contacts:** Extends for connection to second circuit in Advent® Lytespan track.
- 7. Tension Pivot Mounts:** Die-cast aluminum. Allows for 180° horizontal rotation and 180° vertical rotation.
- 8. Lamp Guard:** Tempered glass.
- 9. Spring:** Steel springs hold lamp and housing in place.
- 10. Housing:** Aluminum, fully encloses lamp back and socket. Vents dissipate lamp heat.

Options & Accessories

- Accessory Holder 7662
- 2" Dia. Series Lenses and Louver

Electrical/Dimming

Dimming controls: Use only dimmers specifically designed for use with electronic transformers, like Lightolier Sunrise™ and Neptune Momentum QE™ series. Low voltage fixtures may produce audible sound when used with dimmers, which may be objectionable in acoustically critical areas.

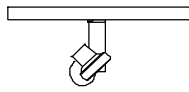
Labels

UL

Job Information	Type:
Job Name:	
Cat. No.:	
Lamp(s):	
Notes:	

Lightolier a Genlyte Thomas Company www.lightolier.com
 631 Airport Road, Fall River, MA 02720 • (508) 679-8131 • Fax (508) 674-4710
 We reserve the right to change details of design, materials and finish.
 © 2002 Genlyte Thomas Group LLC (Lightolier Division) • A0902

LIGHTOLIER®

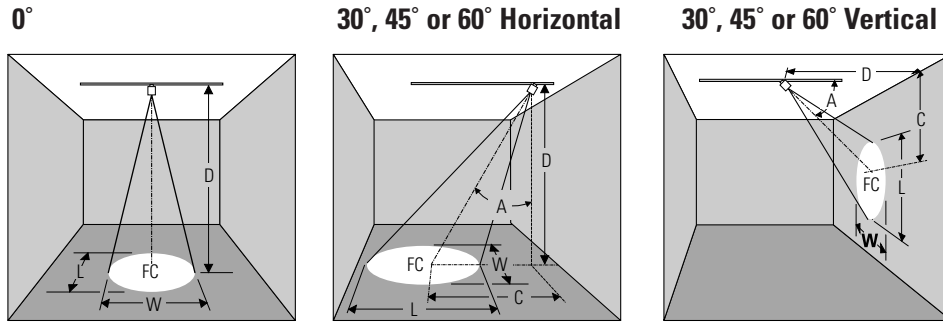


Lighting Data

Aiming Angle

- L** Beam Length
- W** Beam Width
- C** Distance to center beam
- D** Distance
- A** Aiming Angle
- FC** Footcandles

L and W are the outer points where the candle power drops to 50% of the maximum. FC are the initial footcandles at the center of the beam.



LAMP

LAMP	Beam Spread 50% Max CP	Beam Center C.P. Candelas	Rated Life-Hrs
20W MR16 TL NSP	11°	4500	3500
20W MR16 TL NFL	24°	900	3500
20W MR16 TL FL	36°	450	3500
35W MR16 TL VNSP	8°	8100	3500
35W MR16 TL SP	18°	3240	3500
35W MR16 TL FL	38°	870	3500
50W MR16 TL NSP	10°	10800	3500
50W MR16 TL NFL	21°	3330	3500
50W MR16 TL FL	38°	1395	3500
50W MR16 TL WFL	60°	630	3500

0° AIMING ANGLE					A=30° AIMING ANGLE					A=45° AIMING ANGLE					A=60° AIMING ANGLE				
D	FC	L	W		D	C	FC	L	W	D	C	FC	L	W	D	C	FC	L	W
6'	125	1.2'	1.2'		5'	2.9'	117	1.3'	1.1'	3'	3.0'	177	1.2'	0.8'	2'	3.5'	141	1.6'	0.8'
8'	70	1.5'	1.5'		7'	4.0'	60	1.8'	1.6'	5'	5.0'	64	1.9'	1.4'	3'	5.2'	63	2.4'	1.2'
10'	45	1.9'	1.9'		9'	5.2'	36	2.3'	2.0'	7'	7.0'	32	2.7'	1.9'	4'	6.9'	35	3.2'	1.5'
12'	31	2.3'	2.3'		11'	6.4'	24	2.8'	2.4'	9'	9.0'	20	3.5'	2.5'	5'	8.7'	23	4.0'	1.9'
3'	100	1.3'	1.3'		3'	1.7'	65	1.7'	1.5'	2'	2.0'	80	1.8'	1.2'	1'	1.7'	113	2.0'	0.9'
5'	36	2.1'	2.1'		5'	2.9'	23	2.9'	2.5'	3'	3.0'	35	2.7'	1.8'	2'	3.6'	28	3.0'	1.7'
7'	18	3.0'	3.0'		7'	4.0'	12	4.0'	3.4'	4'	4.0'	20	3.6'	2.4'	3'	5.2'	13	5.9'	2.6'
9'	11	3.8'	3.8'		9'	5.2'	7	5.2'	4.4'	5'	5.0'	13	4.5'	3.0'	4'	6.9'	7	7.9'	3.4'
2'	113	1.3'	1.3'		2'	1.2'	73	1.8'	1.5'	2'	2.0'	40	2.9'	1.8'	1'	1.7'	56	3.8'	1.3'
3'	50	1.9'	1.9'		3'	1.7'	32	2.7'	2.3'	3'	3.0'	18	4.4'	2.8'	2'	3.5	14	7.6'	2.6'
4'	28	2.6'	2.6'		4'	2.3'	18	3.6'	3.0'	4'	4.0'	10	5.8'	3.7'	3'	5.2'	6	11.4'	3.9'
5'	18	3.2'	3.2'		5'	2.9'	12	4.5'	3.8'	5'	5.0'	6	7.3'	4.6'	4'	6.9'	4	15.2'	5.2'
7'	165	1.0'	1.0'		6'	3.5'	146	1.1'	1.0'	4'	4.0'	179	1.1'	0.8'	2'	3.5'	253	1.1'	0.6'
10'	81	1.4'	1.4'		9'	5.2'	65	1.7'	1.5'	6'	6.0'	80	1.7'	1.2'	3'	5.2'	113	1.7'	0.8'
13'	48	1.8'	1.8'		12'	6.9'	37	2.2'	1.9'	8'	8.0'	45	2.2'	1.6'	4'	6.9'	63	2.3'	1.1'
16'	32	2.2'	2.2'		15'	8.7'	23	2.8'	2.4'	10'	12.0'	29	2.8'	2.0'	5'	8.7'	41	2.8	1.4'
6'	90	1.9'	1.9'		5'	2.9'	84	2.1'	1.8'	3'	3.0'	127	1.9'	1.3'	2'	3.5'	101	2.7'	1.3'
8'	51	2.5'	2.5'		7'	4.0'	43	3.0'	2.6'	5'	5.0'	46	3.2'	2.2'	3'	5.2'	45	4.1'	1.9'
10'	32	3.2'	3.2'		9'	5.2'	26	3.8'	3.3'	7'	7.0'	23	4.5'	3.1'	4'	6.9'	25	5.5'	2.5'
12'	23	3.8'	3.8'		11'	6.4'	17	4.7'	4.0'	9'	9.0'	14	5.8'	4.0'	5'	8.7'	15	6.9'	3.2'
3'	97	2.1'	2.1'		3'	1.7'	63	2.9'	2.4'	2'	2.0'	77	3.1'	1.9'	1'	1.7'	109	4.3'	1.4'
5'	35	3.4'	3.4'		5'	2.9'	23	4.8'	4.0'	3'	3.0'	34	4.7'	2.9'	2'	3.5	27	8.6'	2.8'
7'	18	4.8'	4.8'		7'	4.0'	12	6.7'	5.6'	4'	4.0'	19	6.3'	3.9'	3'	5.2'	12	12.8'	4.1'
9'	11	6.2'	6.2'		9'	5.2'	7	8.6'	7.2'	5'	5.0'	12	7.8'	4.9'	4'	6.9'	7	17.1'	5.5'
8'	189	1.4'	1.4'		7'	4.0'	143	1.6'	1.4'	5'	5.0'	153	1.8'	1.2'	3'	5.2'	150	2.1'	1.0'
12'	75	2.1'	2.1'		10'	5.8'	70	2.3'	2.0'	7'	7.0'	78	2.5'	1.7'	4'	6.9	84	2.9'	1.4'
16'	42	2.8'	2.8'		13'	7.5'	42	3.0'	2.5'	9'	9.0'	47	3.2'	2.2'	5'	8.7'	54	3.6'	1.7'
20'	27	3.5'	3.5'		16'	9.2'	27	3.7'	3.2'	11'	11.0'	32	3.9'	2.7'	6'	10.4'	38	4.3'	2.1'
6'	93	2.2'	2.2'		5'	2.9'	87	2.5'	2.1'	3'	3.0'	131	2.3'	1.6'	2'	3.5'	104	3.3'	1.5'
8'	52	3.0'	3.0'		7'	4.0'	44	3.5'	3.0'	5'	5.0'	47	3.8'	2.6'	3'	5.2'	46	5.0'	2.2'
10'	33	3.7'	3.7'		9'	5.2'	27	4.5'	3.9'	7'	7.0'	24	5.4'	3.7'	4'	6.9'	26	6.6'	3.0'
12'	23	4.4'	4.4'		11'	6.4'	18	5.5'	4.7'	9'	9.0'	15	6.9'	4.7'	5'	8.7'	17	8.3'	3.7'
3'	155	2.1'	2.1'		3'	1.7'	101	2.9'	2.4'	2'	2.0'	123	3.1'	1.9'	1'	1.7'	174	4.3'	1.4'
5'	56	3.4'	3.4'		5'	2.9'	36	4.8'	4.0'	3'	3.0'	56	4.7'	2.9'	2'	3.5'	44	8.6'	2.8'
7'	28	4.8'	4.8'		7'	4.0'	18	6.7'	5.6'	4'	4.0'	31	6.3'	3.9'	3'	5.2'	19	12.8'	4.1'
9'	17	6.2'	6.2'		9'	5.2'	11	8.6'	7.2'	5'	5.0'	20	7.8'	4.9'	4'	6.9'	11	17.1'	5.5'
3'	70	3.5'	3.5'		3'	1.7'	45	5.2'	4.0'	2'	2.0'	56	6.9'	3.3'	1'	1.7'	79	Ü	2.3'
5'	25	5.8'	5.8'		5'	2.9'	15	8.7'	6.7'	3'	3.0'	25	10.4'	4.9'	2'	3.5	20	Ü	4.9'
7'	13	8.1'	8.1'		7'	4.0'	8	12.1'	9.3'	4'	4.0'	14	13.9'	6.5'	3'	5.2'	9	Ü	6.9'
9'	8	10.4'	10.4'		9'	5.2'	5	15.6'	12.0'	5'	5.0'	9	17.3'	8.2'	4'	6.9'	5	Ü	9.2'

† Exceeds usable limits

Job Information Type:

Lightolier a Genlyte Thomas Company www.lightolier.com
 631 Airport Road, Fall River, MA 02720 • (508) 679-8131 • Fax (508) 674-4710
 We reserve the right to change details of design, materials and finish.
 © 2002 Genlyte Thomas Group LLC (Lightolier Division) • A0902

LIGHTOLIER®