

**Plain Track**

Finishes	Plain Track		
	2m Catalog No.	3m Catalog No.	4m Catalog No.
Aluminum	<b>612MALCE</b>	<b>613MALCE</b>	<b>614MALCE</b>
Black	<b>612MBKCE</b>	<b>613MBKCE</b>	<b>614MBKCE</b>
White	<b>612MWHCE</b>	<b>613MWHCE</b>	<b>614MWHCE</b>

### Features

- Advent Lytespan Track:** 6063-T5 Aluminum 1.8mm wall thickness.
- Track Mounting Clips:** 0.61mm Spring steel, in black or white; furnished with track units.
- Toggle Bolt & Screws:** furnished with track units.
- Conductor (3):** 16A current carrying capacity.
- Insulating Liner:** 1.2mm wall, thermoplastic.
- Neutral Conductor:** on bead side of track.
- Polarity Bead:** identifies the neutral conductor.
- Live End:** molded thermoplastic. Includes contacts for power supply leads.
- Dead End Cover:** molded thermoplastic.
- Mini Coupler:** connects track units mechanically and electrically.

### Mechanical

Track units plug together and lock securely to prevent accidental separation. Track units can be field cut.

### Finish

All painted finishes are baked enamel.

### Mounting

Track may be surface mounted to ceilings or walls. The track may be stem mounted. The track is not intended to be cable mounted. The track can also be recessed, see Specification Sheet 7515.

### Electrical

Two circuits individually controllable, rated 16 amps, at 220 - 240 volts 50 Hz per track circuit (16 amps total for the two circuits), when supplied by a 220/240 volt, 50 Hz, single phase 3-wire branch circuit with a grounded neutral. The track

is polarized and continuously grounded throughout. Electrical conductors are concealed in a insulating liner. Lytespan lighting units attach to the track at any point and can be adjusted to operate on either track circuit. Not intended for use with a power cord or a convenience receptacle adapter. Magnetic and electronic transformers require different dimmer controls. Use the proper control device on the track. Caution should be used when operating dimming controls on 3 wire circuiting (the neutral conductor may overload). For additional information on dimming, call 1-800-833-3664. All wiring must be in accordance with National and Local Codes.

### Labels

I.B.E.W.,CE

### Job Information

### Type:

**Job Name:**

**Cat. No.:**

**Lamp(s):**

**Notes:**

631 Airport Road, Fall River, MA 02720 • (508) 679-8131 • Fax (508) 674-4710

We reserve the right to change details of design, materials and finish.

www.lightolier.com © 2009 Philips Group • B0309

## Track Mounting and Power Feed Systems

### Track Mounting Clips

Furnished with track: 2 clips per 2m track, 3 clips per 3m and 4m track units. Attaches to track at any point. Clip is nylon coated. White clip supplied with white track, and aluminum, black clip with black track. Spaces track from ceiling.

*Not recommended for wall mounting.*

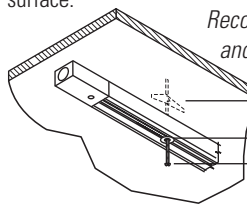
- 56451WH** Matte White
- 56451BK** Matte Black



Set of 10

### Direct Mounting

Toggle bolts and nylon insulators are furnished with Track, two per 2m track, three per 3m and four per 4m track. Mount through existing holes in track. Top of track sits flush to mounting surface.



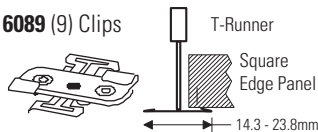
*Recommended for wall and ceiling mounting.*

- Toggle Bolt
- Nylon Spacer
- Screw

### Grid Ceiling Mounting Clips

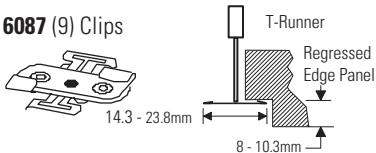
Square Edge Panels and 14.827mm-23.812mm T-Bars Clip is supplied assembled. Mounts onto T-Bars by rotating clips. Use two per 2m track, three per 3m, and four per 4m track.

- 6089** (9) Clips



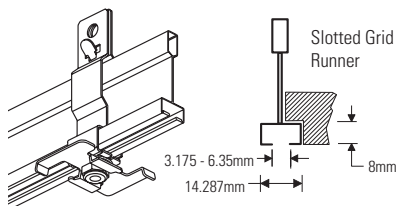
Regressed Edge Panels and 14.287mm-23.812mm T-Bar Clip is supplied assembled. Mounts easily onto T-Bars by rotating clips. Use two per 2m track, three per 3m, and four per 4m track.

- 6087** (9) Clips



Slotted Grid Ceilings such as Donn Fineline and Chicago Metallic Ultraline 3500 and 3600. Use two per 2m track, three per 3m, and four per 4m track.

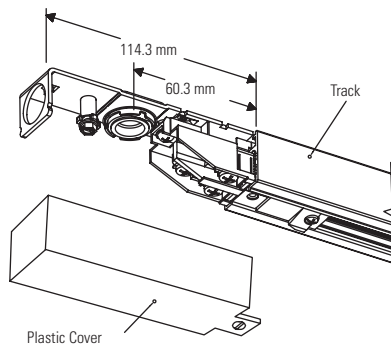
- 6088** (9) Clips



### Live End

Energizes Track from the beginning of a run. It is included with Individual Track Units. Use with plain track units.

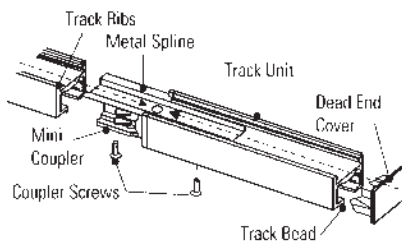
- 6148ALCE** Matte Aluminum
- 6148BKCE** Matte Black
- 6148WHCE** Matte White



### Mini-Coupler

Used to connect two pieces of track together mechanically and electrically. *Power cannot be fed to the Mini-Coupler.*

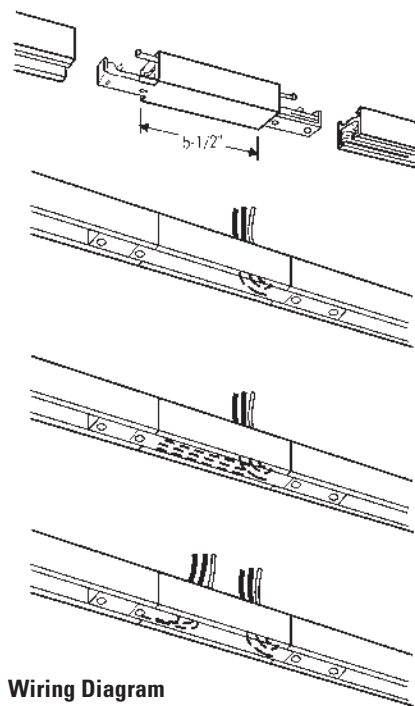
- 6149ALCE** Matte Aluminum
- 6149BKCE** Matte Black
- 6149WHCE** Matte White



### In-Line Connector

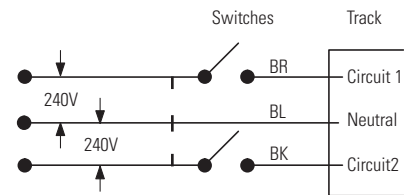
Permits power feed between track units in a straight run of track. The In-Line Connector is polarized and pre-wired. KO permits direct feed with electrical connector.

- 6154ALCE** Matte Aluminum
- 6154BKCE** Matte Black
- 6154WHCE** Matte Aluminum

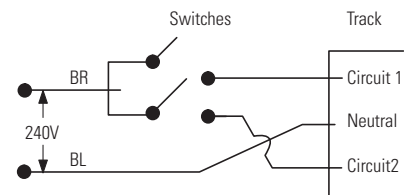


### Wiring Diagram

(3) wire two circuit 220/240, 50Hz single phase with grounded neutral. Maximum total track load (circuit 1 + circuit 2) = 16 amps.



220/240 50Hz single branch circuit, 16 amp supply. Maximum load, 16 amps distributed between track circuits.



### Job Information

### Type:

631 Airport Road, Fall River, MA 02720 • (508) 679-8131 • Fax (508) 674-4710  
 We reserve the right to change details of design, materials and finish.  
 www.lightolier.com © 2009 Philips Group • B0309

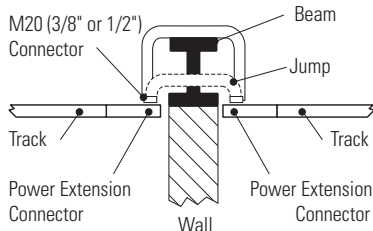
## Track Mounting, Power Feed Systems and Mounting Patterns

### Power Extension Connector

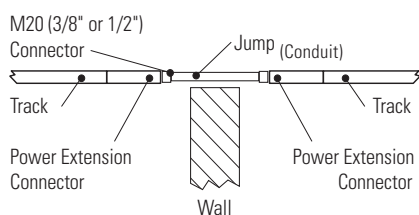
Replaces Dead End Cover at end of track to permit power continuity around structural obstacles to another track section. Accepts same power feed-in kits as Live End.

- 6146ALCE** Matte Aluminum
- 6146BKCE** Matte Black
- 6146WHCE** Matte White

Over Beam or Through Beam



Through Wall or Column



### Direct Feed into Connectors

The Live End, "L", "T", "X", In-Line & Variable Angle Connectors will accept an M20 (3/8" or 1/2") electrical fitting. Does not require a separate power feed kit.

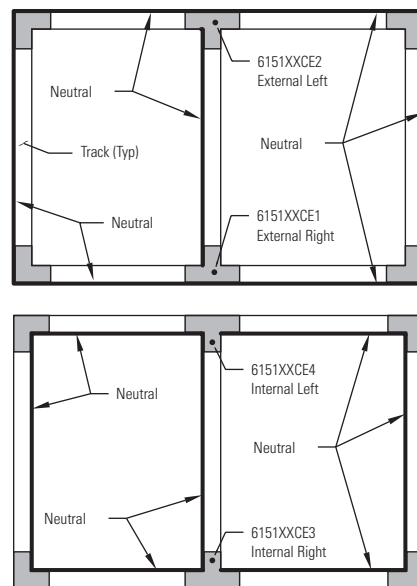
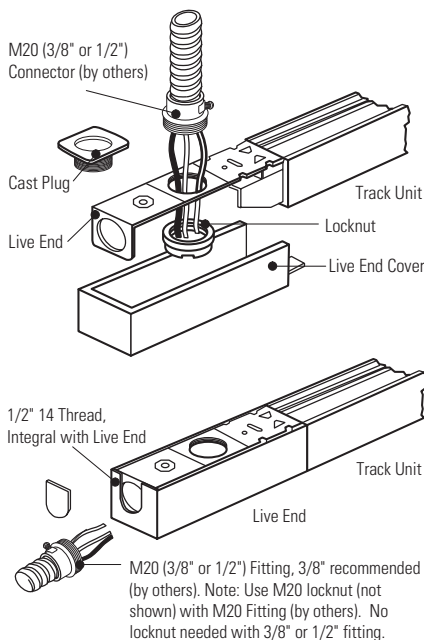
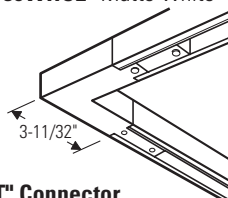


Fig. 1 View from Floor

### "L" Connector

The "L" connector is polarized and pre-wired. It may be rotated for right angle or left angle turn. KO permits direct feed with electrical connector.

- 6150ALCE** Matte Aluminum
- 6150BKCE** Matte Black
- 6150WHCE** Matte White

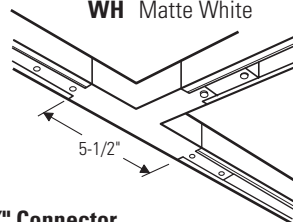


### "T" Connector

The "T" connector is polarized and pre-wired. Used to make "T" pattern with track. (See fig. 1) 12 ga. copper jumper wires supplied to make all necessary connections. KO permits direct feed with electrical connector.

- 6151\*\*CE1** External Right AL
- 6151\*\*CE2** External Left AL
- 6151\*\*CE3** Internal Right AL
- 6151\*\*CE4** Internal Left AL

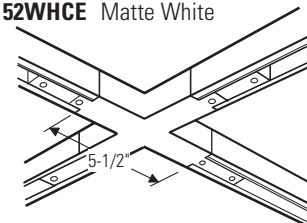
- \*\*Finishes: **AL** Matte Aluminum  
**BK** Matte Black  
**WH** Matte White



### "X" Connector

The "X" connector is not pre-wired or polarized. Used to make "X" pattern with track. 12ga. copper jumper wires supplied to make all necessary connections. KO permits direct feed with electrical connector.

- 6152ALCE** Matte Aluminum
- 6152BKCE** Matte Black
- 6152WHCE** Matte White



### Job Information

### Type:

631 Airport Road, Fall River, MA 02720 • (508) 679-8131 • Fax (508) 674-4710  
 We reserve the right to change details of design, materials and finish.  
 www.lightolier.com © 2009 Philips Group • B0309