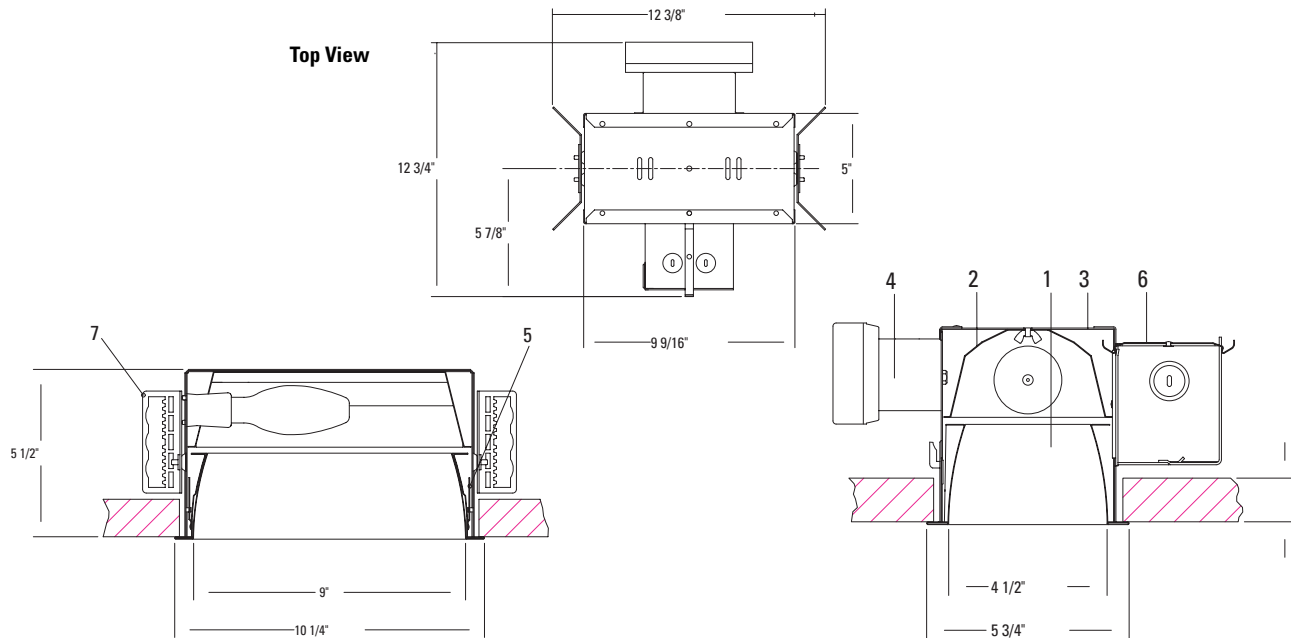




Calculite® Matrix® HID Lensed Downlight **4X9PLHID**

Page 1 of 2

4 1/2" X 9" Rectangular Aperture Open Rated 70W ED17 Prismatic Lens



Ceiling Cutout: 5 1/8" X 9 5/8"

Reflector Trims	Finish / Flange	Frame-In Kits	Lamps
4X9PLCLW	Specular Clear / White	4X917E17E1 Electronic 120V-277V	70W ED17
4X9PLCLP	Specular Clear / Polished	4X9170E17E2 Electronic 277V	
4X9PLCCLW	Comfort Clear / White		
4X9PLCCLP	Comfort Clear / Polished		
4X9PLCCDW	Comfort Clear Diff. / White		
4X9PLCCDP	Comfort Clear Diff. / Polished		
4X9PLCCGP	Clear Corrugated / Self Flange		
4X9PLWHW	White / White		

Features

- 1. Reflector Trim:** Pre-finished aluminum with low iridescence clear finish. Overlap flange accommodates different ceiling types. Precision mitered flange corners. Prismatic spread lens, 5/32" thick tempered glass.
- 2. Upper Reflector:** High efficiency, 97%, Specular Clear.
- 3. Housing:** 20 Ga. galvanized formed steel. Centerline notches and holes for consistent alignment of multiple fixtures. Accommodates ceilings up to 1 1/4" thick.
- 4. Ballast Assembly:** Door-mounted for easy service, allows replacement from inside of fixture.
- 5. Torsionite Springs:** Precision-tooled steel springs secure reflector trim to housing for quick tool-less installation. Positive tension holds flange tight against ceiling.
- 6. J-Box:** 14 Ga. galvanized steel. Accessible from inside and outside of the fixture. Outside J-box door is hinged for easy access.
- 7. Mounting Brackets:** 16 Ga. steel. Adjustable from inside fixture. Utilize 3/4" or 1 1/2" lathing channel, 1/2" EMT, or optional mounting bars.

Options & Accessories

Mounting Bars / T-Bar Anchor Clips: See specification sheet "MBA".

Electrical

UL Listed for through circuit wiring with max of (8) No. 12 AWG, 90°C supply conductors.

General

UL listed for wet locations, I.B.E.W. Union Made.

Job Information	Type:
Job Name:	
Cat. No.:	
Lamp(s):	
Notes:	

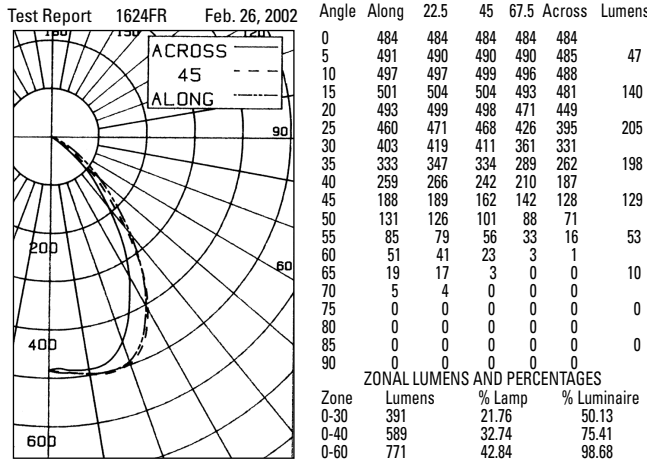
Lightolier a Genlyte Thomas Company www.lightolier.com
 631 Airport Road, Fall River, MA 02720 • (508) 679-8131 • Fax (508) 674-4710
 We reserve the right to change details of design, materials and finish.
 © 2003 Genlyte Thomas Group LLC (Lightolier Division) • B1003

LIGHTOLIER®



26W Triple Tube, Specular clear Reflector Trim

One Sylvania lamp, 1800 lumens



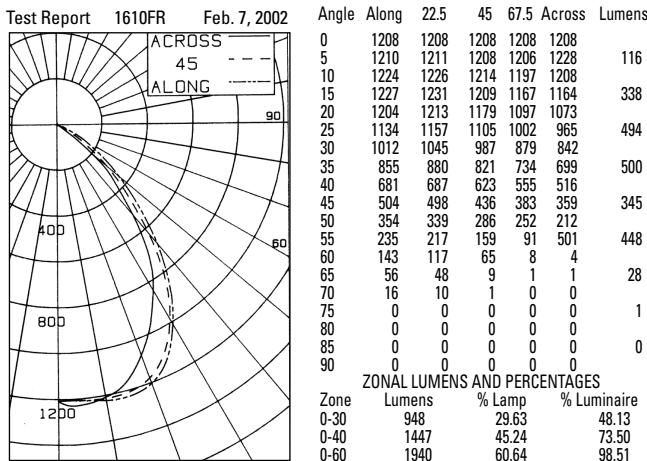
EFFICIENCY = 43.4% Spacing Criterion: Along = 1.2 Across = 1.1

CU	% Effective Ceiling Cavity Reflectance													
	80		70			50			30		10	0		
	50	30	10	50	30	10	50	30	10	50	30	10	0	
1	.48	.47	.46	.47	.46	.45	.45	.44	.44	.43	.42	.42	.41	.41
2	.45	.43	.41	.44	.42	.41	.42	.41	.40	.39	.37	.36	.35	.35
3	.41	.39	.37	.41	.39	.37	.40	.38	.36	.35	.33	.32	.31	.31
4	.38	.36	.34	.38	.36	.34	.37	.35	.33	.32	.30	.29	.28	.27
5	.36	.33	.31	.35	.33	.31	.34	.32	.31	.30	.28	.27	.26	.25
6	.33	.30	.28	.33	.30	.28	.32	.30	.28	.27	.25	.24	.23	.22
7	.30	.28	.26	.30	.27	.25	.30	.27	.25	.24	.22	.21	.20	.19
8	.28	.25	.23	.28	.25	.23	.27	.25	.23	.22	.20	.19	.18	.17
9	.26	.23	.21	.26	.23	.21	.25	.23	.21	.20	.18	.17	.16	.15
10	.24	.21	.19	.24	.21	.19	.23	.21	.19	.18	.16	.15	.14	.13

20% Floor Cavity Reflectance

42W Triple Tube, Specular clear Reflector Trim

One Sylvania lamp, 3200 lumens



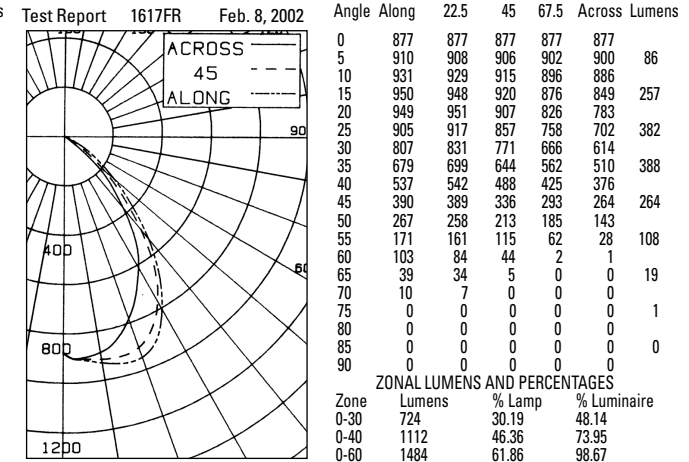
EFFICIENCY = 61.6% Spacing Criterion: Along = 1.2 Across = 1.1

CU	% Effective Ceiling Cavity Reflectance													
	80		70			50			30		10	0		
	50	30	10	50	30	10	50	30	10	50	30	10	0	
1	.68	.66	.65	.67	.65	.64	.64	.63	.62	.62	.61	.60	.59	.58
2	.63	.60	.58	.62	.59	.58	.60	.58	.56	.58	.56	.55	.55	.54
3	.58	.55	.52	.57	.54	.52	.56	.53	.51	.54	.52	.50	.51	.50
4	.54	.50	.48	.53	.50	.47	.52	.49	.47	.51	.48	.46	.47	.46
5	.50	.46	.43	.49	.46	.43	.48	.45	.43	.47	.44	.42	.46	.44
6	.46	.42	.39	.46	.42	.39	.45	.41	.39	.44	.41	.39	.43	.40
7	.42	.38	.36	.42	.38	.35	.41	.38	.35	.40	.37	.35	.40	.37
8	.39	.35	.32	.39	.35	.32	.38	.34	.32	.37	.34	.32	.37	.34
9	.36	.32	.29	.36	.32	.29	.35	.32	.29	.35	.31	.29	.34	.31
10	.33	.29	.27	.33	.29	.26	.32	.29	.26	.32	.29	.26	.31	.28

20% Floor Cavity Reflectance

32W Triple Tube, Specular clear Reflector Trim

One Sylvania lamp, 2400 lumens



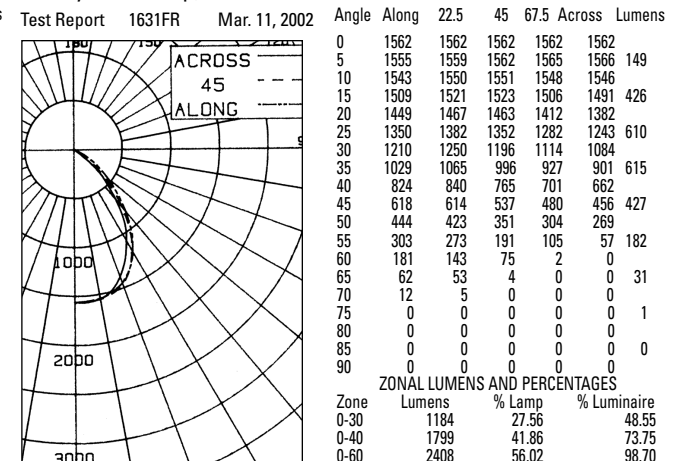
EFFICIENCY = 62.7% Spacing Criterion: Along = 1.3 Across = 1.1

CU	% Effective Ceiling Cavity Reflectance													
	80		70			50			30		10	0		
	50	30	10	50	30	10	50	30	10	50	30	10	0	
1	.69	.68	.66	.68	.66	.65	.65	.64	.63	.63	.62	.61	.61	.60
2	.64	.62	.59	.63	.61	.59	.61	.59	.57	.59	.58	.56	.57	.55
3	.59	.56	.53	.58	.55	.53	.57	.54	.52	.55	.53	.51	.54	.51
4	.55	.51	.49	.54	.51	.48	.53	.50	.48	.52	.49	.47	.50	.48
5	.51	.47	.44	.50	.47	.44	.49	.46	.43	.48	.45	.43	.47	.44
6	.47	.43	.40	.47	.43	.40	.46	.42	.40	.45	.42	.39	.44	.41
7	.43	.39	.36	.43	.39	.36	.42	.38	.36	.41	.38	.36	.40	.38
8	.40	.36	.33	.39	.36	.33	.39	.35	.33	.38	.35	.32	.37	.35
9	.37	.33	.30	.36	.33	.30	.36	.32	.30	.35	.32	.29	.35	.32
10	.34	.30	.27	.34	.30	.27	.33	.29	.27	.32	.29	.27	.32	.29

20% Floor Cavity Reflectance

57W Triple Tube, Specular clear Reflector Trim

One Sylvania lamp, 4300 lumens



EFFICIENCY = 56.8% Spacing Criterion: Along = 1.2 Across = 1.1

CU	% Effective Ceiling Cavity Reflectance													
	80		70			50			30		10	0		
	50	30	10	50	30	10	50	30	10	50	30	10	0	
1	.63	.61	.60	.61	.60	.59	.59	.58	.57	.57	.56	.55	.55	.54
2	.58	.56	.54	.57	.55	.53	.55	.53	.52	.54	.52	.51	.52	.51
3	.54	.51	.48	.53	.50	.48	.51	.49	.47	.50	.48	.46	.49	.47
4	.50	.47	.44	.49	.46	.44	.48	.45	.43	.47	.45	.43	.46	.44
5	.46	.43	.40	.46	.42	.40	.44	.42	.39	.44	.41	.39	.43	.41
6	.43	.39	.36	.42	.39	.36	.41	.38	.36	.40	.38	.36	.40	.37
7	.39	.36	.33	.39	.35	.33	.38	.35	.33	.37	.34	.32	.37	.34
8	.36	.33	.30	.36	.32	.30	.35	.32	.30	.35	.32	.30	.34	.31
9	.33	.30	.27	.33	.30	.27	.33	.29	.27	.32	.29	.27	.31	.29
10	.31	.27	.25	.31	.27	.25	.30	.27	.25	.30	.27	.24	.29	.26

20% Floor Cavity Reflectance

Job Information **Type:**

Based on specular clear (CL) finish. To estimate other finishes, multiply candelas and CU values by 0.95 for CCL, by 0.90 for CCD.

Lightolier a Genlyte Thomas Company www.lightolier.com
631 Airport Road, Fall River, MA 02720 • (508) 679-8131 • Fax (508) 674-4