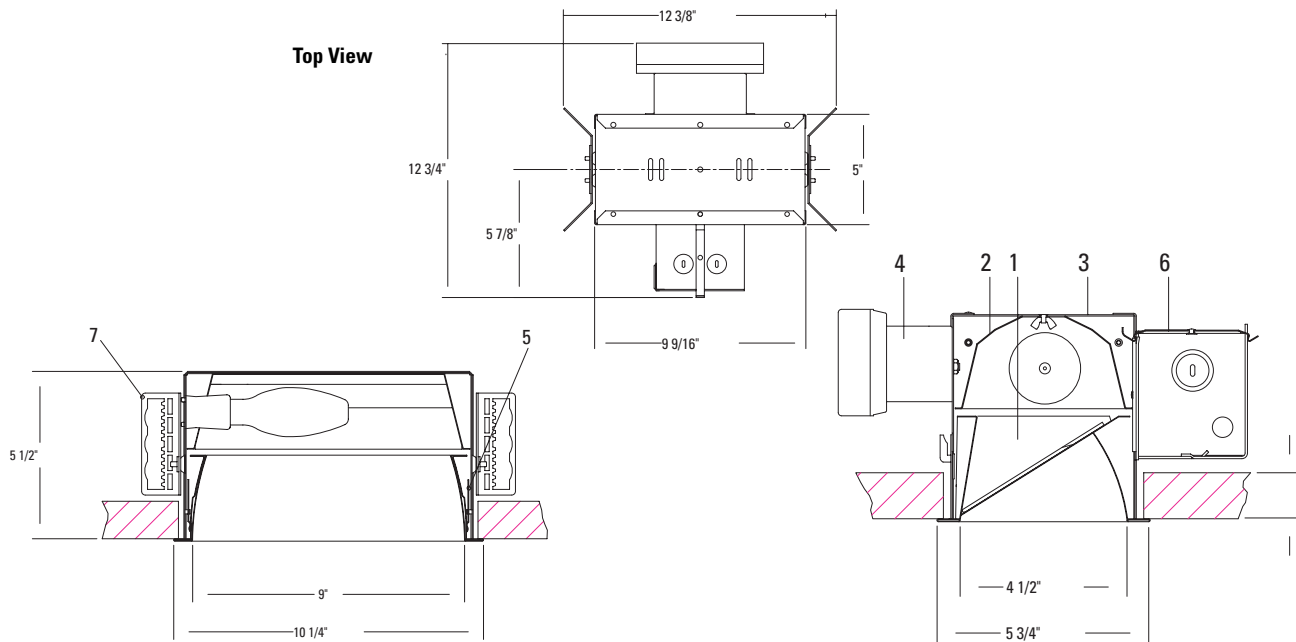




Calculite® Matrix® HID Lensed Wall Washer **4X9LWHID**



Ceiling Cutout: 5 1/8" x 9 5/8"

Reflector Trims	Finish / Flange	Frame-In Kits	Lamps
4X9LWCLW	Specular Clear / White	4X9170E17E1 Electronic 120V	70W ED17
4X9LWCLP	Specular Clear / Polished	4X9170E17E2 Electronic 277V	
4X9LWCCLW	Comfort Clear / White		
4X9LWCCLP	Comfort Clear / Polished		
4X9LWCCDW	Comfort Clear Diff. / White		
4X9LWCCDP	Comfort Clear Diff. / Polished		
4X9LWCCGP	Clear Corrugated / Self Flange		
4X9LWVHW	White / White		

Features

- 1. Reflector Trim:** Pre-finished aluminum with low iridescence clear finish. Overlap flange accommodates different ceiling types. Precision mitered flange corners. Prismatic spread lens, 5/32" thick tempered glass.
- 2. Upper Reflector:** High efficiency, 97%, Specular Clear.
- 3. Housing:** 20 ga. galvanized formed steel. Centerline notches and holes for consistent alignment of multiple fixtures. Accommodates ceilings up to 1 1/4" thick.
- 4. Ballast Assembly:** Door-mounted for easy service, allows replacement from inside of fixture.
- 5. Torsionite Springs:** Precision-tooled steel springs secure reflector trim to housing for quick tool-less installation. Positive tension holds flange tight against ceiling.
- 6. J-Box:** 14 ga. galvanized steel. Accessible from inside and outside of the fixture. Outside J-Box door is hinged for easy access.
- 7. Mounting Brackets:** 16 ga. steel. Adjustable from inside fixture. Utilize 3/4" or 1 1/2" lathing channel, 1/2" EMT, or optional mounting bars.

Options and Accessories

Mounting Bars / T-Bar Anchor Clips: See specification sheet "MBA".

Electrical

UL listed for through circuit wiring with max of (8) No. 12 AWG, 90°C supply conductors.

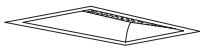
General

UL listed for wet locations, I.B.E.W. Union Made.

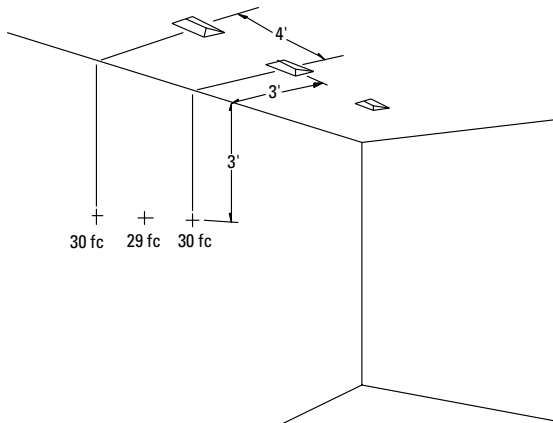
Job Information	Type:
Job Name:	
Cat. No.:	
Lamp(s):	
Notes:	

Lightolier a Genlyte Thomas Company www.lightolier.com
 631 Airport Road, Fall River, MA 02720 • (508) 679-8131 • Fax (508) 674-4710
 We reserve the right to change details of design, materials and finish.
 © 2003 Genlyte Thomas Group LLC (Lightolier Division) • B1003

LIGHTOLIER®



Footcandles on Wall: Multiple Units

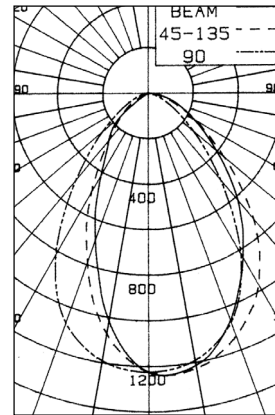


Example: 32W Units, Specular Clear Trim

For multiple units with 42-watt lamps and specular clear reflectors located 3' from wall and spaced 4' on center, the illumination on the wall 3' down from the ceiling will be 30 fc beneath the units and 29 fc between the units.

Footcandle values are averaged and rounded off and are based on a minimum of five units.

Test Report: 1628FR
EFFICIENCY= 56.4%



26W Triple Tube, Specular Clear Reflector Trim

2' From Wall - 2' On Center					2' From Wall - 3' On Center				
Distance From Ceiling in Feet	1	2	3	4	1	2	3	4	
	21	31	29	23	17	23	21	16	
	20	31	30	23	12	19	19	17	
	21	31	30	23	17	20	20	16	
	18	17	17	13	13	13	13	10	
	13	13	13	10	10	10	10	8	
	10	10	10	7	8	8	8	7	
	9	9	9	7	7	7	7	6	
	7	7	7	6	6	6	6	6	

3' From Wall - 3' On Center					3' From Wall - 4' On Center				
Distance From Ceiling in Feet	1	2	3	4	1	2	3	4	
	7	12	15	15	7	10	12	12	
	7	12	15	15	5	9	11	12	
	7	12	15	15	7	10	11	12	
	13	13	13	10	12	12	12	10	
	12	12	12	10	10	11	11	9	
	10	10	10	8	9	9	9	8	
	9	8	8	8	8	8	8	7	
	8	8	8	6	7	7	7	6	
	8	8	8	6	6	6	6	6	

32W Triple Tube, Specular Clear Reflector Trim

2' From Wall - 2' On Center					2' From Wall - 3' On Center				
Distance From Ceiling in Feet	1	2	3	4	1	2	3	4	
	38	55	51	40	30	41	36	28	
	36	55	51	39	22	34	35	29	
	38	55	51	40	30	34	35	28	
	30	30	30	23	22	22	22	18	
	23	23	23	18	18	17	17	14	
	18	18	18	15	14	14	14	12	
	15	15	15	13	12	12	12	11	
	13	13	13	11	11	11	11	11	

3' From Wall - 3' On Center					3' From Wall - 4' On Center				
Distance From Ceiling in Feet	1	2	3	4	1	2	3	4	
	13	22	26	26	12	18	21	20	
	12	22	26	26	9	16	20	20	
	13	22	26	26	12	16	20	20	
	23	23	23	20	18	19	19	18	
	20	20	20	17	16	16	16	14	
	17	17	17	15	14	14	14	12	
	15	15	15	13	12	12	12	11	
	13	13	13	11	11	11	11	11	

42W Triple Tube, Specular Clear Reflector Trim

2' From Wall - 2' On Center					2' From Wall - 3' On Center				
Distance From Ceiling in Feet	1	2	3	4	1	2	3	4	
	55	80	74	58	43	59	51	40	
	53	80	74	57	31	51	52	42	
	55	80	74	58	43	51	51	40	
	44	44	43	33	32	32	32	25	
	33	33	33	26	25	25	25	21	
	26	26	26	21	21	20	20	17	
	21	21	21	19	17	17	17	16	
	19	18	18	16	16	16	16	16	

3' From Wall - 3' On Center					3' From Wall - 4' On Center				
Distance From Ceiling in Feet	1	2	3	4	1	2	3	4	
	19	32	38	37	17	26	29	29	
	18	31	38	37	13	23	30	30	
	19	31	38	37	17	23	29	29	
	33	33	33	29	26	27	26	26	
	29	28	28	25	23	23	23	23	
	25	24	24	21	20	20	20	18	
	21	21	21	19	18	17	17	16	
	19	19	19	16	16	16	16	16	

57W Triple Tube, Specular Clear Reflector Trim

2' From Wall - 2' On Center					2' From Wall - 3' On Center				
Distance From Ceiling in Feet	1	2	3	4	1	2	3	4	
	66	100	93	72	51	72	66	50	
	64	102	93	72	39	66	66	52	
	66	100	93	72	51	66	63	50	
	54	54	54	41	39	40	40	31	
	41	41	41	32	31	31	31	25	
	32	32	32	26	25	25	25	21	
	26	26	26	23	21	21	21	19	
	23	23	23	20	19	19	19	19	

3' From Wall - 3' On Center					3' From Wall - 4' On Center				
Distance From Ceiling in Feet	1	2	3	4	1	2	3	4	
	22	39	47	47	20	32	37	36	
	21	39	48	47	16	29	37	36	
	22	39	47	47	20	32	36	36	
	36	36	36	30	32	34	34	32	
	30	30	30	26	28	29	29	28	
	30	30	30	26	25	25	25	25	
	26	26	26	24	22	22	22	22	
	24	23	23	20	20	20	20	20	

Based on specular clear (CL) finish. To estimate other finishes, multiply candelas and CU values by 0.95 for CCL, by 0.90 for CCD.

Job Information **Type:**

Lightolier a Genlyte Thomas Company www.lightolier.com
631 Airport Road, Fall River, MA 02720 • (508) 679-8131 • Fax (508) 674-4710
We reserve the right to change details of design, materials and finish.
© 2003 Genlyte Thomas Group LLC (Lightolier Division) • B1003

LIGHTOLIER®