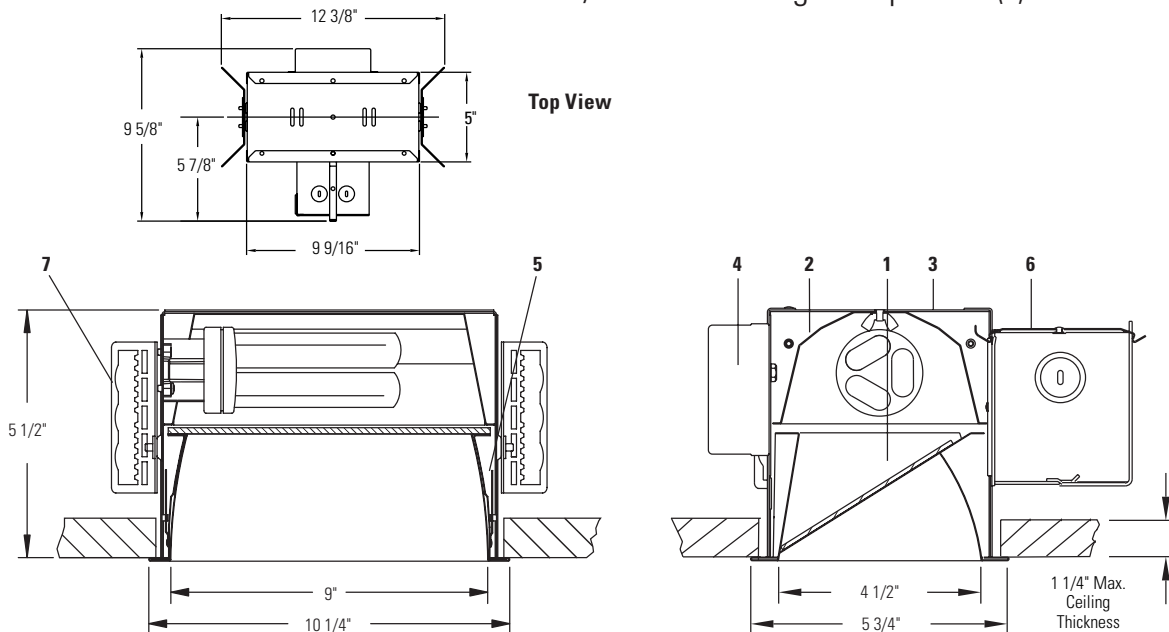


Calculite® Matrix® Lensed Wall Washer 4X9LW

Page 1 of 2

4 1/2" X 9" Rectangular Aperture (1) 26W Quad / 32/42 Triple



Ceiling Cutout: 5 1/8" L X 9 5/8" W

Trim Kits		Frame-In Kits								
Reflector Trims	Finish / Flange	Frame-In Kits	Type	Ballast	Input Voltage	Quad Tube Wattage	Triple Tube Wattage	Length	Width	Height
4X9LWCLW	Specular Clear / White	4X9142HU	Non-IC	Electronic	120/277V	26W	32/42W	12 1/2"	9 1/2"	5 3/4"
4X9LWCLP	Specular Clear / Polished	4X9142HUEM	Non-IC	Electronic - Emergency	120/277V	26W	32/42W	12 1/2"	11"	5 3/4"
4X9LWCCLW	Comfort Clear / White	4X9142HJUM7	Non-IC	Mark 7® Dimming	120/277V	26W	32/42W	12 1/2"	9 1/4"	5 3/4"
4X9LWCCLP	Comfort Clear / Polished	4X9142HJ1MX	Non-IC	Mark 10® Dimming	120V	26W	32/42W	12 1/2"	9 1/4"	5 3/4"
4X9LWCDDW	Comfort Clear Diff. / White	4X9142HJ2MX	Non-IC	Mark 10® Dimming	277V	26W	32/42W	12 1/2"	9 1/4"	5 3/4"
4X9LWCDDP	Comfort Clear Diff. / Polished									
4X9LWCGBP	Clear Corrugated / Self Flange									
4X9LWVHW	White Painted/White									

Features

- Reflector Trim:** Pre-finished aluminum with low iridescence clear finish. Overlap flange accommodates different ceiling types. Precision mitered flange corners. Prismatic spread lens, 5/32" thick tempered glass.
- Upper Reflector:** High efficiency, 97%, Specular Clear.
- Housing:** 22 ga. galvanized formed steel. Centerline notches and holes for consistent alignment of multiple fixtures. Accommodates ceilings up to 1 1/4" thick.
- Ballast Assembly:** Door-mounted for easy service, allows replacement from inside of fixture.
- Torsionite Springs:** Precision-tooled steel springs secure reflector trim to housing for quick tool-less installation. Positive tension holds flange tight against ceiling.
- J-Box:** 14 ga. galvanized steel. Accessible from inside and outside of the fixture. Outside J-Box door is hinged for easy access.
- Mounting Brackets:** 16 ga. steel. Adjustable from inside fixture. Utilize 3/4" or 1 1/2" lathing channel, 1/2" EMT, or optional mounting bars.

Options and Accessories

Chicago Plenum with Fuse (Slow Blow): Add LCF suffix to Frame-In Kit, consult factory for specifications.

Emergency: Add EM suffix to Frame-In Kit, consult factory for specifications. Option not available in the 57W version.

Mounting Bars / T-Bar Anchor Clips: See specification sheet "MBA".

Electrical

UL listed for through circuit wiring with max of (8) No. 12 AWG, 90°C supply conductors.

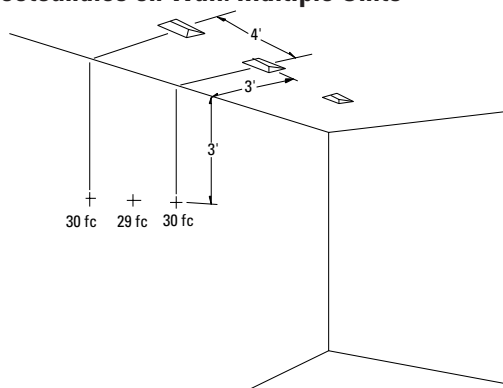
Note: For complete ballast data and lamp/ballast compatibility refer to "Ballast" specification sheet.

General

UL listed for wet locations, I.B.E.W. Union Made.

Job Information	Type:
Job Name:	
Cat. No.:	
Lamp(s):	
Notes:	

Footcandles on Wall: Multiple Units



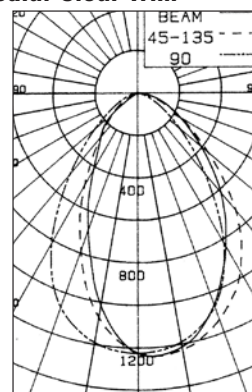
4 1/2" X 9" Rectangular Aperture (1) 26W Quad / 32/42 Triple

Example: 32W Units, Specular Clear Trim

For multiple units with 42-watt lamps and specular clear reflectors located 3' from wall and spaced 4' on center, the illumination on the wall 3' down from the ceiling will be 30 fc beneath the units and 29 fc between the units.

Footcandle values are averaged and rounded off and are based on a minimum of five units.

Test Report: 1628FR
EFFICIENCY= 56.4%



26W Triple Tube, Specular Clear Reflector Trim

2' From Wall - 2' On Center					2' From Wall - 3' On Center				
Distance From Ceiling in Feet	1	2	3	4	1	2	3	4	
1	21	20	21		17	12	17		
2	31	31	31		23	19	23		
3	29	30	29		21	20	21		
4	23	23	23		16	17	16		
5	18	17	18		13	13	13		
6	13	13	13		10	10	10		
7	10	10	10		8	8	8		
8	9	9	9		7	7	7		
9	7	7	7		7	7	7		

3' From Wall - 3' On Center					3' From Wall - 4' On Center				
Distance From Ceiling in Feet	1	2	3	4	1	2	3	4	
1	7	7	7		7	5	7		
2	12	12	12		10	9	10		
3	15	15	15		12	11	12		
4	15	15	15		12	12	12		
5	13	13	13		10	11	10		
6	12	12	12		9	9	9		
7	10	10	10		8	8	8		
8	9	8	9		7	7	7		
9	8	8	8		6	6	6		

32W Triple Tube, Specular Clear Reflector Trim

2' From Wall - 2' On Center					2' From Wall - 3' On Center				
Distance From Ceiling in Feet	1	2	3	4	1	2	3	4	
1	38	36	38		30	22	30		
2	55	55	55		41	34	41		
3	51	51	51		36	35	36		
4	40	39	40		28	29	28		
5	30	30	30		22	22	22		
6	23	23	23		18	17	18		
7	18	18	18		14	14	14		
8	15	15	15		12	12	12		
9	13	13	13		11	11	11		

3' From Wall - 3' On Center					3' From Wall - 4' On Center				
Distance From Ceiling in Feet	1	2	3	4	1	2	3	4	
1	13	12	13		12	9	12		
2	22	22	22		18	16	18		
3	26	26	26		21	20	21		
4	26	26	26		20	20	20		
5	23	23	23		18	19	18		
6	20	20	20		16	16	16		
7	17	17	17		14	14	14		
8	15	15	15		12	12	12		
9	13	13	13		11	11	11		

42W Triple Tube, Specular Clear Reflector Trim

2' From Wall - 2' On Center					2' From Wall - 3' On Center				
Distance From Ceiling in Feet	1	2	3	4	1	2	3	4	
1	55	53	55		43	31	43		
2	80	80	80		59	51	59		
3	74	74	74		51	52	51		
4	58	57	58		40	42	40		
5	44	43	44		32	32	32		
6	33	33	33		25	25	25		
7	26	26	26		21	20	21		
8	21	21	21		17	17	17		
9	19	18	19		16	16	16		

3' From Wall - 3' On Center					3' From Wall - 4' On Center				
Distance From Ceiling in Feet	1	2	3	4	1	2	3	4	
1	19	18	19		17	13	17		
2	32	31	32		26	23	26		
3	38	38	38		30	29	30		
4	37	37	37		29	30	29		
5	33	33	33		26	27	26		
6	29	28	29		23	23	23		
7	25	24	25		20	20	20		
8	21	21	21		18	17	18		
9	19	19	19		16	16	16		

57W Triple Tube, Specular Clear Reflector Trim

2' From Wall - 2' On Center					2' From Wall - 3' On Center				
Distance From Ceiling in Feet	1	2	3	4	1	2	3	4	
1	66	64	66		51	39	51		
2	100	102	100		72	66	72		
3	93	93	93		63	66	63		
4	72	72	72		50	52	50		
5	54	54	54		39	40	39		
6	41	41	41		31	31	31		
7	32	32	32		25	25	25		
8	26	26	26		21	21	21		
9	23	23	23		19	19	19		

3' From Wall - 3' On Center					3' From Wall - 4' On Center				
Distance From Ceiling in Feet	1	2	3	4	1	2	3	4	
1	22	21	22		20	16	20		
2	39	39	39		32	29	32		
3	47	48	47		37	37	37		
4	47	47	47		36	36	36		
5	42	42	42		32	34	32		
6	36	35	36		28	29	28		
7	30	30	30		25	25	25		
8	26	26	26		22	22	22		
9	24	23	24		20	20	20		

Based on specular clear (CL) finish. To estimate other finishes, multiply candelas and CU values by 0.95 for CCL, by 0.90 for CCD.

Job Information Type: