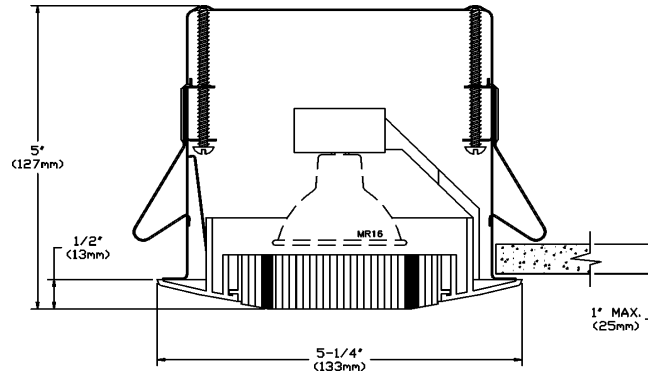




4 3/4" (121mm) aperture
Ovni Adjustable
MR16

Lytecaster
Recessed Downlight

452X



Complete fixture consists of Reflector Trim & Frame-in Kit. Select each separately

REFLECTOR TRIM

452GYX	Silver Grey (face plate and baffle)
452WHX	White (black baffle)

FRAME-IN-KIT

REMODELER	400MRX
REMODELER	3401MREX
NON-IC	402MRX
NON-IC	402MREX
IC	402MRC9X

LAMP

50W MR16 (dichroic shielded lamp only)
50W MR16 (dichroic shielded lamp only)
50W MR16 (dichroic shielded lamp only)
50W MR16 (dichroic shielded lamp only)
50W MR16 (dichroic shielded lamp only)

Features

Flange Ring Assembly : Molded high heat polycarbonate ; installs and removes with twist-lock action. Available in silver grey or white paint finish.

Tripod Ring Assembly : Molded high heat polycarbonate ; assemble with spring steel lampholder to accept MR16 socket from Frame-In Kits or Remodelers.

Verti-Groove Baffle : Molded high heat polycarbonate ; Rotates 358° horizontally and 0° to 30° vertically using a ratchet feature. Black baffle on 452WH. Silver Grey paint on 452GY.

Mounting Clips (3) : 24ga. spring steel, zinc plated. Provide easy snap-in / snap-out action.

Frame-In Kit

Note : For complete Frame-In Kit specifications, see 400 frame specification sheets

Labels : CSA , UL

Suitable for damp locations.

WE RESERVE THE RIGHT TO CHANGE DETAILS OF DESIGN, MATERIALS AND FINISH, IN ANY WAY THAT WILL NOT ALTER INSTALLED APPEARANCE OR REDUCE FUNCTION AND PERFORMANCE.

Lightolier CFI, 3015 Louis Amos Lachine, (Quebec) H8T 1C4

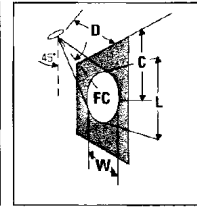
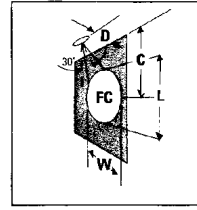
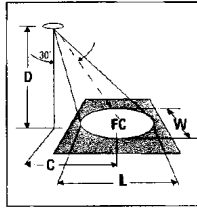
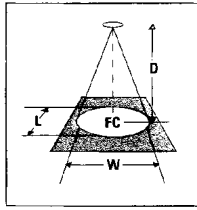
LIGHTOLIER®

(FC) is initial footcandle at center of beam. Beam length (L) and beam width (W) are where the candlepower is reduced to 50% of center beam candlepower.

CBCP is center beam candlepower.

(C) is distance to the center of the beam.

Lamp data shown is typical, and is based on bare lamp photometrics. Contact lamp manufacturers for availability and performance.



Lamps	Beam Spread (To 50% CBCP)	CBCP	Rated Life (Hrs.)	0° AIMING ANGLE				30° AIMING ANGLE				30° AIMING ANGLE				45° AIMING ANGLE			
				D	FC	L	W	D	C	FC	L	W	D	C	FC	L	W	D	C

MR-16 LOW VOLTAGE HALOGEN BI-PIN LAMPS																						
20W MR-16 VNSP (EZS)	7°	8200	3000	7'	167	0.9'	0.9'	6'	3.5'	148	1.0'	0.8'	2'	3.5'	256	1.0'	0.5'	4'	4.0'	181	1.0'	0.7'
				10'	82	1.2'	1.2'	9'	5.2'	66	1.5'	1.3'	3'	5.2'	114	1.5'	0.7'	6'	6.0'	81	1.5'	1.0'
				13'	49	1.6'	1.6'	12'	6.9'	37	2.0'	1.7'	4'	6.9'	84	2.0'	1.0'	8'	8.0'	45	2.0'	1.4'
20W MR-16 NSP (ESX)	13°	3600	3000	6'	100	1.4'	1.4'	5'	2.9'	94	1.5'	1.3'	2'	3.5'	113	1.9'	0.9'	3'	3.0	141	1.4'	1.0'
				8'	56	1.8'	1.8'	7'	4.0'	48	2.1'	1.8'	3'	5.2'	50	2.8'	1.4'	5'	5.0	51	2.3'	1.6'
				10'	36	2.3'	2.3'	9'	5.2'	29	2.7'	2.4'	4'	6.9'	28	3.8'	1.8'	7'	7.0'	26	3.2'	2.3'
20W MR-16 FL (BAB)	40°	525	4000	2'	131	1.5'	1.5'	2'	1.2	85	2.0'	1.7'	1'	1.7	66	4.8'	1.5'	2'	2.0'	46	3.4'	2.1'
				3'	58	2.2'	2.2'	3'	1.7	38	3.0'	2.5'	2'	3.5'	16	9.7'	2.9'	3'	3.0'	21	5.0'	3.1'
				4'	33	2.9'	2.9'	4'	2.3'	21	4.1'	3.4'	3'	5.2'	7	14.5'	4.4'	4'	4.0'	12	6.7'	4.1'
35W MR-16 NSP (FRB)	12°	8700	4000	7'	178	1.5'	1.5'	6'	3.5'	157	1.7'	1.5'	2'	3.5'	272	1.7'	0.8'	4'	4.0'	192	1.7'	1.2'
				10'	87	2.1'	2.1'	9'	5.2'	70	2.5'	2.2'	3'	5.2'	121	2.6'	1.3'	6'	6.0'	85	2.6'	1.8'
				13'	51	2.7'	2.7'	12'	6.9'	39	3.4'	2.9'	4'	6.9'	68	3.5'	1.7'	8'	8.0'	48	3.5'	2.4'
35W MR-16 SP (FRA)	20°	3900	4000	6'	108	2.1'	2.1'	5'	2.9	101	2.4'	2.0'	2'	3.5'	122	3.1'	1.4'	3'	3.0	153	2.2'	1.5'
				8'	61	2.8'	2.8'	7'	4.0'	52	3.3'	2.9'	3'	5.2'	54	4.7'	2.1'	5'	5.0	55	3.6'	2.5'
				10'	39	3.5'	3.5'	9'	5.2'	31	4.3'	3.7'	4'	6.9'	30	6.2'	2.8'	7'	7.0'	28	5.1'	3.9'
35W MR-16 FL (FMW)	40°	1600	4000	4'	100	2.9'	2.9'	3'	1.7	115	3.0'	2.5'	1'	1.7	200	4.8'	1.5'	3'	3.0'	63	5.0'	3.1'
				6'	44	4.4'	4.4'	5'	2.9	42	5.1'	4.2'	2'	3.5'	50	9.7'	2.9'	4'	4.0	35	6.7'	4.1'
				8'	25	5.8'	5.8'	7'	4.0'	21	7.1'	5.8'	3'	5.2'	22	14.5'	4.4'	5'	5.0	23	8.4'	5.1'
37W MR-16 IR (NSP)	10°	11500	4000	6'	180	1.4'	1.4'	7'	4.0	152	1.6'	1.4'	3'	5.2'	160	2.1'	1.0'	5'	5.0'	163	1.8'	1.2'
				12'	80	2.1'	2.1'	10'	5.8'	75	2.3'	2.0'	4'	6.9'	90	2.9'	1.4'	7'	7.0'	63	2.5'	1.7'
				16'	45	2.8'	2.8'	13'	7.5'	44	3.0'	2.8'	5'	8.7'	58	3.6'	1.7'	9'	9.0'	50	3.2'	2.2'
37W MR-16 IR (NFL)	25°	3500	4000	8'	97	2.7'	2.7'	5'	2.9	91	3.0'	2.6'	2'	3.5'	109	4.2'	1.8'	3'	3.0'	137	2.8'	1.6'
				10'	35	4.4'	4.4'	7'	4.0	46	4.2'	3.8'	3'	5.2'	49	6.2'	2.7'	5'	5.0'	49	4.7'	3.1'
				12'	24	5.3'	5.3'	9'	5.2'	28	5.4'	4.6'	4'	6.9'	27	8.3'	3.5'	7'	7.0'	25	6.5'	4.4'
37W MR-16 IR (FL)	40°	2050	4000	4'	128	2.9'	2.9'	3'	1.7	148	3.0'	2.5'	1'	1.7	258	4.8'	1.5'	3'	3.0'	61	5.0'	3.1'
				6'	57	4.4'	4.4'	5'	2.9	53	5.1'	4.2'	2'	3.5'	64	9.7'	2.9'	4'	4.0	46	6.7'	4.1'
				8'	32	5.8'	5.8'	7'	4.0'	27	7.1'	5.8'	3'	5.2'	28	14.5'	4.4'	5'	5.0	29	8.4'	5.1'
42W MR-16 VNSP (EZY)	9°	13,100	3500	8'	205	1.3'	1.3'	7'	4.0	174	1.5'	1.3'	3'	5.2'	182	1.9'	0.9'	5'	5.0	185	1.6'	1.1'
				12'	91	1.9'	1.9'	10'	5.8'	85	2.1'	1.8'	4'	6.9'	102	2.6'	1.3'	7'	7.0	96	2.2'	1.6'
				16'	51	2.5'	2.5'	13'	7.5'	50	2.7'	2.4'	5'	8.7'	66	3.2'	1.6'	9'	9.0'	57	2.8'	2.0'
42W MR-16 NFL (EYS)	27°	2400	4000	4'	150	1.9'	1.9'	3'	1.7	173	2.0'	1.7'	1'	1.7	300	2.3'	1.0'	3'	3.0	94	3.1'	2.0'
				6'	67	2.9'	2.9'	5'	2.9	62	3.3'	2.8'	2'	3.5'	75	4.6'	1.9'	4'	4.0	53	4.1'	2.7'
				8'	38	3.8'	3.8'	7'	4.0	32	4.6'	3.9'	3'	5.2'	33	7.0'	2.9'	5'	5.0	34	5.1'	3.4'
50W MR-16 NSP (EXT)	14°	10,200	4000	10'	24	4.8'	4.8'	9'	5.2'	19	5.9'	5.0'	4'	6.9'	19	9.3'	3.6'	6'	6.0	24	6.1'	4.1'
				8'	159	2.0'	2.0'	7'	4.0	135	2.3'	2.0'	3'	5.2'	142	3.1'	1.5'	5'	5.0	144	2.5'	1.7'
				12'	71	2.9'	2.9'	10'	5.8'	66	3.3'	2.8'	4'	6.9'	80	4.1'	2.0'	7'	7.0	74	3.5'	2.4'
50W MR-16 NFL (EXZ)	27°	3400	4000	15'	40	3.8'	3.8'	13'	7.5'	39	4.3'	3.7'	5'	8.7'	51	5.1'	2.5'	9'	9.0'	45	4.5'	3.1'
				20'	26	4.9'	4.9'	15'	9.2'	28	5.3'	4.5'	6'	10.4'	35	6.2'	2.9'	11'	11.0'	30	5.5'	3.8'
				6'	94	2.9'	2.9'	5'	2.9	88	3.3'	2.8'	2'	3.5'	106	4.6'	1.9'	3'	3.0'	134	3.1'	2.0'
50W MR-16 NFL (EXN)	40°	1850	4000	8'	53	3.8'	3.8'	7'	4.0	45	4.6'	3.9'	3'	5.2'	47	7.0'	2.9'	5'	5.0	48	5.1'	3.4'
				10'	34	4.8'	4.8'	9'	5.2'	27	5.9'	5.0'	4'	6.9'	27	9.3'	3.6'	7'	7.0	25	7.1'	4.8'
				10'	19	7.3'	7.3'	11'	6.4'	18	7.2'	6.1'	5'	8.7'	17	11.6'	4.8'	9'	9.0	15	9.2'	6.1'
50W MR-16 WFL (FNV)	55°	1150	4000	4'	116	2.9'	2.9'	3'	1.7	134	3.0'	2.5'	1'	1.7	231	4.8'	1.5'	3'	3.0	73	5.0'	3.1'
				6'	51	4.4'	4.4'	5'	2.9	48	5.1'	4.2'	2'	3.5'	58	9.7'	2.9'	4'	4.0	41	6.7'	4.1'
				8'	29	5.8'	5.8'	7'	4.0	25	7.1'	5.9'	3'	5.2'	26	14.5'	4.4'	5'	5.0	26	8.4'	5.1'
73W MR-16 SP	10°	14000	4000	10'	19	7.3'	7.3'	9'	5.2'	15	9.1'	7.6'	4'	6.9'	14	19.3'	5.8'	6'	6.0	18	10.1'	6.2'
				3'	126	3.1'	3.1'	3'	1.7	83	4.6'	3.6'	1'	1.7	144	22.3'	2.1'	2'	2.0'	102	5.7'	2.9'
				5'	46	5.2'	5.2'	5'	2.9	30	7.6'	6.0'	2'	3.5'	36	44.5'	4.2'	3'	3.0'	45	8.6'	4.4'
73W MR-16 FL	36°	2500	4000	7'	23	7.3'	7.3'	7'	4.0	15	10.7'	8.4'	3'	5.2'	16	66.8'	6.2'	4'	4.0	25	11.4'	5.9'
				9'	14	9.4'	9.4'	9'	5.2'	9	13.7'	10.8'	4'	6.9'	9	89.1'	8.3'	5'	5.0	16	14.3'	7.4'
				8'	219	1.4'	1.4'	7'	4.0	196	1.6'	1.4'	3'	5.2'	194	2.1'	1.0'	5'	5.0	198	1.8'	1.2'
75W MR-16 NSP (FVY)	14°	12,000	4000	12'	97	2.1'	2.1'	10'	5.8'	91	2.3'	2.0'	4'	6.9'	109	2.5'	1.4'	7'	7.0'	101	2.5'	1.7'
				16'	47	3.9'	3.9'	13'	7.5'	40	3.3'	2.6'	5'	8.7'	70	3.6'	1.7'	9'	9.0'	61	3.2'	2.5'
				20'	30	4.9'	4.9'	16'	9.2'	30	5.3'	4.5'	6'	10.4'	49	4.3'	2.1'	11'	11.0'	41	3.8'	2.7'
75W MR-16 NFL (EYJ)	25°	4900	4000	4'	156	2.5'	2.5'	3'	1.7	160	2.7'	2.3'	1'	1.7	313	3.8'	1.3'	3'	3.0	98	4.4'	2.8'
				6'	59	3.8'	3.8'	5'	2.9	65	4.5'	3.8'	2'	3.5'	78	7.5'	2.6'	4'	4.0	55	5.8'	3.7'
				8'	39	5.2'	5.2'	7'	4.0	33	6.3'	5.3'	3'	5.2'	35	11.4'	3.9'	5'	5.0	35	7.3'	4.6'
75W MR-16 FL (EYC)	42°	2100	4000	10'	25	6.5'	6.5'	9'	5.2'	20	6.1'	6.6'	4'	6.9'	20	15.2'	5.2'	6'	6.0	25	6.7'	5.5'
				8'	188	2.0'	2.0'	7'	4.0	159	2.3'	2.0'	3'	5.2'	167	3.1'	1.5'	5'	5.0	170	2.5'	1.7'
				12'	83	2.9'	2.9'	10'	5.8'	78	3.3'	2.8'	4'	6.9'	94	4.1'	2.0'	7'	7.0'	87	3.5'	2.4'
50W MR-16 NSP	11°	10,500	3500	16'	47	3.9'	3.9'	13'	7.5'	40	4.3'	3.7'	5'	8.7'	60	5.1'	2.5'	9'	9.0'	52	4.5'	3.1'
				20'	30	4.9'	4.9'	16'	9.2'	30	5.3'	4.5'	6'	10.4'	42	6.2'	2.9'	11'	11.0'	35	5.5'	3.8'
				6'	136	2.7'	2.7'	5'	2.9	127	3.0'	2.6'	2'	3.5'	153	4.2'	1.8'	3'	3.0	192	2.8'	1.9'
50W MR-16 NFL	25°	3000	3500	8'	77	3.5'	3.5'	7'	4.0	65	4.2'	3.6'	3'	5.2'	88	6.2'	2.7'	5'	5.0	69	4.7'	3.1'
				10'	49	4.4'	4.4'	9'	5.2'	39	5.4'	4.6'	4'	6.9'	38	8.3'	3.5'	7'	7.0	35	6.5'	4.4'
				12'	34	5.3'	5.3'	11'	6.4'	26	6.6'	5.6'	5'	8.7'	25	10.4'	4.4'	9'	9.0	21	8.4'	5.6'
50W MR-16 FL	40°	1900	350																			