



Ordering Information

Power Head: Titanium Finish

Complete fixture consists of reflector, Power Head and Suspension or Ceiling Kit (order each separately)

Cat. No.	Lamp	Watts	Volts	Options
412H70	Metal Halide ED17 (Open Rated)	70	120	F1, Fuse 120V

Suspension

Cat. No.	Color	Description
404SKG	Grey	Cable/Cord, 120" Length
404SKB	Black	Cable/Cord, 120" Length
404S36	Grey	36" Length 5/8" Stem
404S36B	Black	36" Length 5/8" Stem
404S60	Grey	60" Length 5/8" Stem
404S60B	Black	60" Length 5/8" Stem
404S120	Grey	120" Length 5/8" Stem
4CCG	Grey	Coil Cord, 120" Length
4CCB	Black	Coil Cord, 120" Length

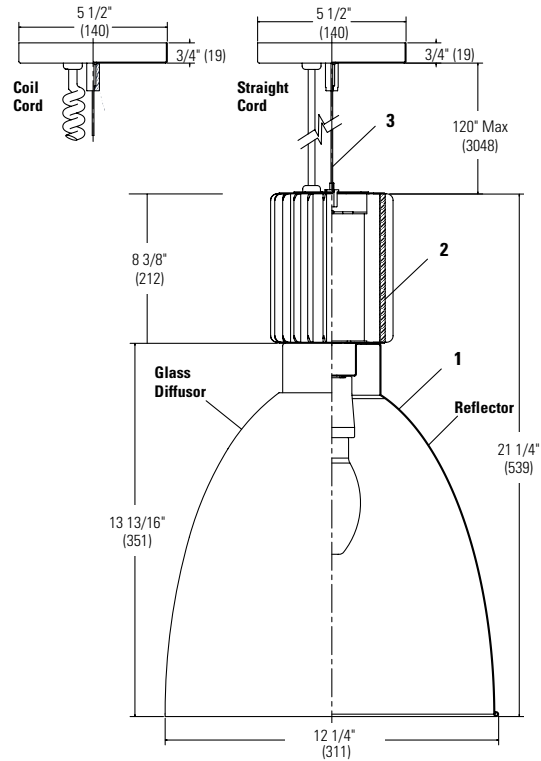
Optional Extension Kits

Cat. No.	Color	Description
404EXT300*	Grey	25" Extension Cable/Cord Kit
404EXTB*	Black	25" Straight Cable/Cord Extension Kit

* Use with Standard Suspension Kit.

Reflector/Glass

Cat. No.	Description
42SR	Satin Aluminum Reflector
42WH	White Glass
42BL	Cobalt Blue Glass
42AB	Amber Glass



() Denotes dimensions in mm

Features

1. Reflector System:

Reflector: High purity, 16 gauge aluminum. Exterior satined and anodized. Interior low iridescent comfort clear anodized.

Glass Diffusers: Diffusers fabricated of pressed glass with soft etched exterior and matte white interior frit.

2. Power Head Housing:

Two-piece extruded aluminum.

3. Suspension:

Cable and Cord SJT18-3, Black or Grey and canopy. Can be field shortened or 5/8" steel tubing and canopy with 35° swivel hanger.

Lamping (by others)

Metal Halide: (open rated)

General Electric	Osram/Sylvania	Philips
------------------	----------------	---------

(1) 70W Ceramic Metal Halide ED17 Lamp

MXR70/C/U/MED/O	MCP70/C/U/MED/*	MHC70/C/U/MP*
-----------------	-----------------	---------------

* Manufacturers' color temperature designation.

Electrical

Lampholders:

Metal Halide: Medium Based, Porcelain, 4KV pulse rated

Ballast: Electronic: Metal Halide

	70 Watt
Voltage	120
Total Input Watts	79
Max. Line Current (Amps)	.67
Minimum Starting Temperature	5°F

Labels

cULus listed suitable for damp locations.

Job Information

Type:

Job Name:

Cat. No.:

Lamp(s):

Notes:

Lightolier a Genlyte company

www.lightolier.com

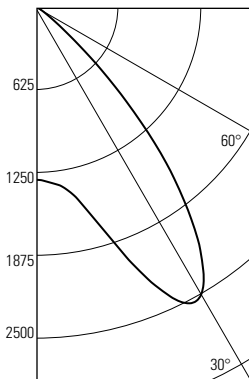
631 Airport Road, Fall River, MA 02720 • (508) 679-8131 • Fax (508) 674-4710

We reserve the right to change details of design, materials and finish.

© 2005 Genlyte Group LLC • C0705



Satin Aluminum Reflector Catalog No. 412H70 / 42SR, 70W ED-17 Lamp, 5700 Lumens.



CANDLEPOWER SUMMARY

Table with columns: ANGLE, MEAN CP, LMS. Rows for angles 0 to 90 degrees.

ZONAL LUMENS AND PERCENTAGES

Table with columns: ZONE, LUMENS, % LAMP, %LUMINAIRE. Rows for zones 0-30, 0-40, 0-60, 0-90, 40-90, 60-90, 90-180, 0-180.

** EFFICIENCY = 68.2% **

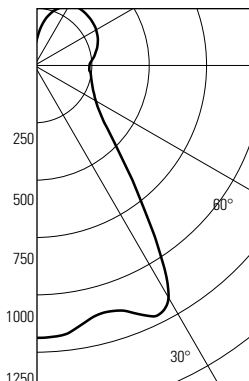
COEFFICIENTS OF UTILIZATION

Table with columns: Ceiling, Wall, RCR, Room Cavity Ratio, and utilization coefficients for 80%, 70%, 50%, 30% reflectance.

Luminaire Input Watts = 78.0

Report No. 2601FR
SC = 1.4

White Glass Reflector Catalog No. 412H70 / 42WH, 70W ED-17 Lamp, 5700 Lumens.



CANDLEPOWER SUMMARY

Table with columns: ANGLE, MEAN CP, LMS. Rows for angles 0 to 90 degrees.

ZONAL LUMENS AND PERCENTAGES

Table with columns: ZONE, LUMENS, % LAMP, %LUMINAIRE. Rows for zones 0-30, 0-40, 0-60, 0-90, 40-90, 60-90, 90-180, 0-180.

** EFFICIENCY = 85.1% **

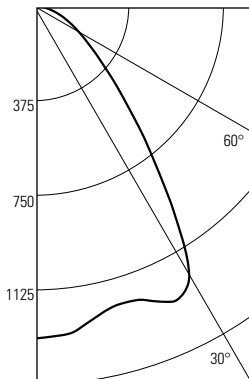
COEFFICIENTS OF UTILIZATION

Table with columns: Ceiling, Wall, RCR, Room Cavity Ratio, and utilization coefficients for 80%, 70%, 50%, 30% reflectance.

Luminaire Input Watts = 78.0

Report No. 2653FR
SC = 1.2

Amber Glass Reflector Catalog No. 412H70 / 42AB, 70W ED-17 Lamp, 5700 Lumens.



CANDLEPOWER SUMMARY

Table with columns: ANGLE, MEAN CP, LMS. Rows for angles 0 to 90 degrees.

ZONAL LUMENS AND PERCENTAGES

Table with columns: ZONE, LUMENS, % LAMP, %LUMINAIRE. Rows for zones 0-30, 0-40, 0-60, 0-90, 40-90, 60-90, 90-180, 0-180.

** EFFICIENCY = 46.0% **

COEFFICIENTS OF UTILIZATION

Table with columns: Ceiling, Wall, RCR, Room Cavity Ratio, and utilization coefficients for 80%, 70%, 50%, 30% reflectance.

Luminaire Input Watts = 78.0

Notes: Amber Glass and Cobalt Blue Glass have the same Photometrics.

Report No. 2654FR
SC = 1.2

Job Information Type:

Lightolier a Genlyte company www.lightolier.com
631 Airport Road, Fall River, MA 02720 • (508) 679-8131 • Fax (508) 674-4710
We reserve the right to change details of design, materials and finish.
© 2005 Genlyte Group LLC • C0705

LIGHTOLIER