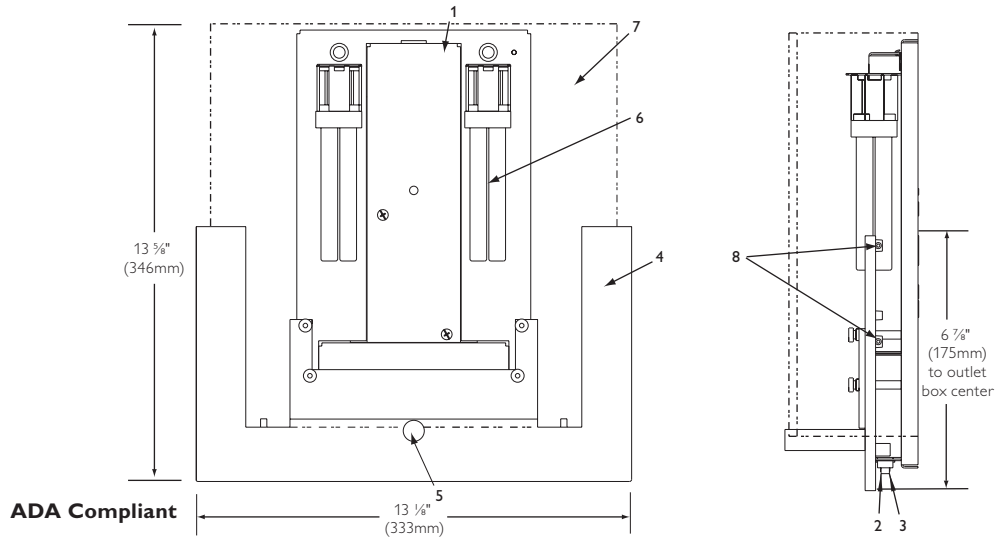


40829UEM

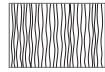
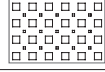

Decorative, Bowshield, Wall Mounted CFL

Page 1 of 3



Complete Luminaire consists of Diffuser and Backplate Assembly. Order each separately.

Diffuser Ordering Information

Catalog No.	Pattern/Description/Color
40871	 Rolled "Rain" pattern texture, Silk-screened White/Clear
40865	 Three Dimensional "Squares" White/Clear Silk-screened Pattern
40862	 "Ceramic White" Silk-screened and Sandblasted

Backplate Assembly Ordering Information

Catalog No.	Finish	Wattage	Ballast	Recharge Time	Charging Current
40828UEM	Satin Brass	18W	Electronic Universaal	24 Hours	280 mA
40828UEM	Satin Brass	18W	Voltage 120V or 277V		

Job Information Type:

Job Name:

Cat. No.:

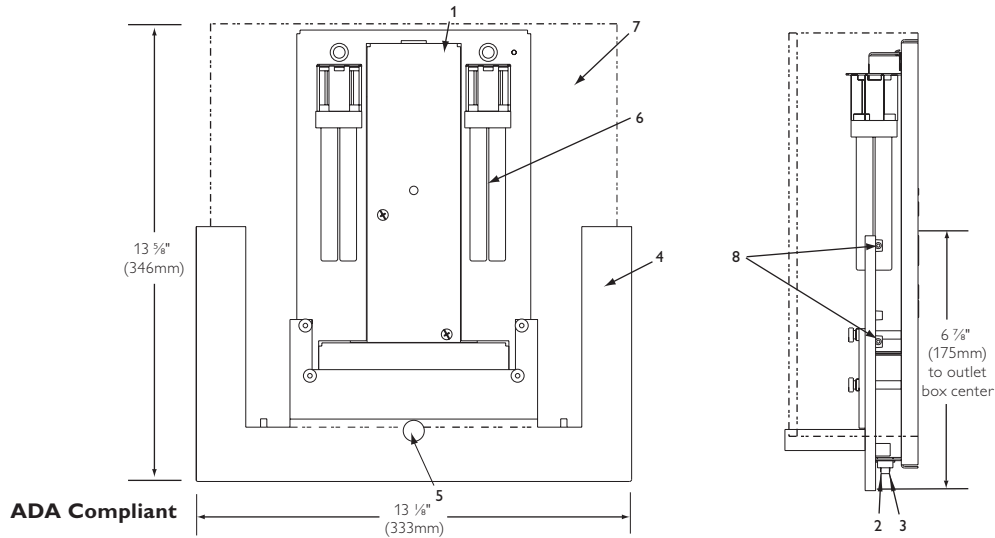
Notes:

PHILIPS
LIGHTOLIER

40829UEM

Decorative, Bowshield, Wall Mounted CFL

Page 2 of 3



Features

- 1. Battery Pack:** Provides 90-minute emergency lighting when AC power fails. Fully enclosed, long-life nickel cadmium; Charges from 120 and 277V AC. Meets National Electric and Life Safety Code.
- 2. Test Switch:** Single pole.
- 3. Charging Indicator Light:** LED
- 4. Diffuser Holder:** Die-cast zinc alloy. Satin brass or satin nickel finish with clear lacquer.
- 5. Diffuser Support Peg:** Turned brass. Satin brass or satin nickel finish with clear lacquer.
- 6. Lamps:** Quad tube compact fluorescent, by others. See chart at right for wattage and base type.
- 7. Diffuser:** 6mm thick (Max.) Glass. See chart on page 1 for options.
- 8. Screw:** Nylon. 8-32. To secure Diffuser

Mounting

Mounts directly to 4" outlet box or switch box, using wallplate supplied.

Lumen Output W/Battery Pack

	Watts	Lumens
Lamp Types	120V/288V Unv.	2 Lamp
CF18DT/E/IIN/*	18W	575
PL-C18W/*/4P		
F18D8X/SPX*/4P		

* Designates manufacturers color temperature.

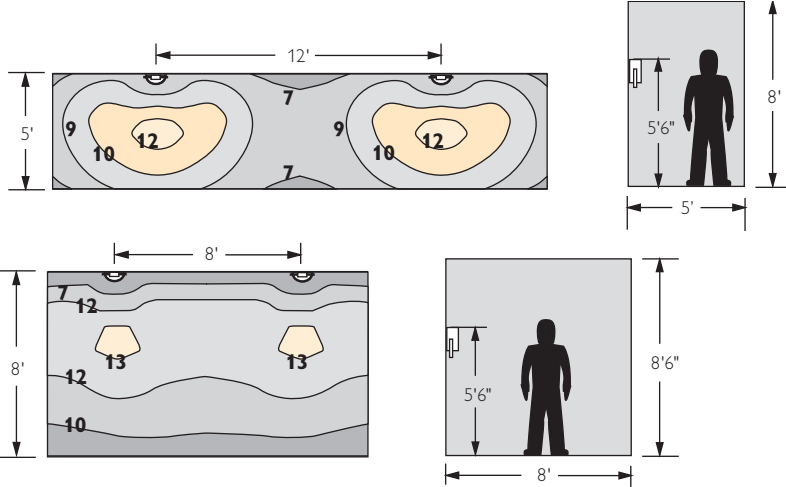
Labels

UL Listed (For indoor dry locations only)

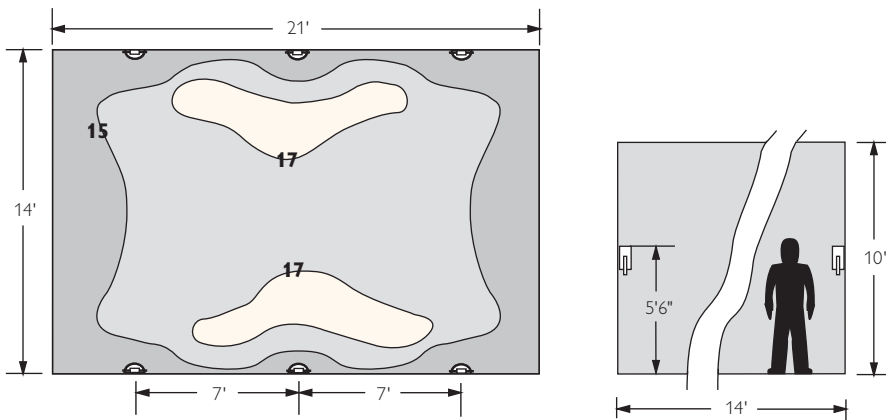
Job Information Type:

PHILIPS
LIGHTOLIER

Hallway / Footcandles



Vestibule / Conference Room / Footcandles



Reflectances

80% ceiling / 50% wall / 20% floor
Footcandles are on floor.

Multiplier Factors

Data shown is based on an "All White" lightshield.

Lamp Specification

Lamp	Average Initial Lumens	Average Life Hrs.
18W QT	1250	10,000

Annual Energy Cost Savings

Compact Fluorescent	vs. Incandescent	24 hrs./day	10 hrs./day
2- 18W QT	2-60W T10	\$68	\$29@10¢/KWH



Philips Lightolier
e: lol.webmaster@philips.com
t: (508) 679-8131
w: www.lightolier.com
40829UEM May 9, 2011

Specifications are subject to change without notice.
© Koninklijke Philips Electronics N.V., 2010. All rights reserved.

Job Information Type: