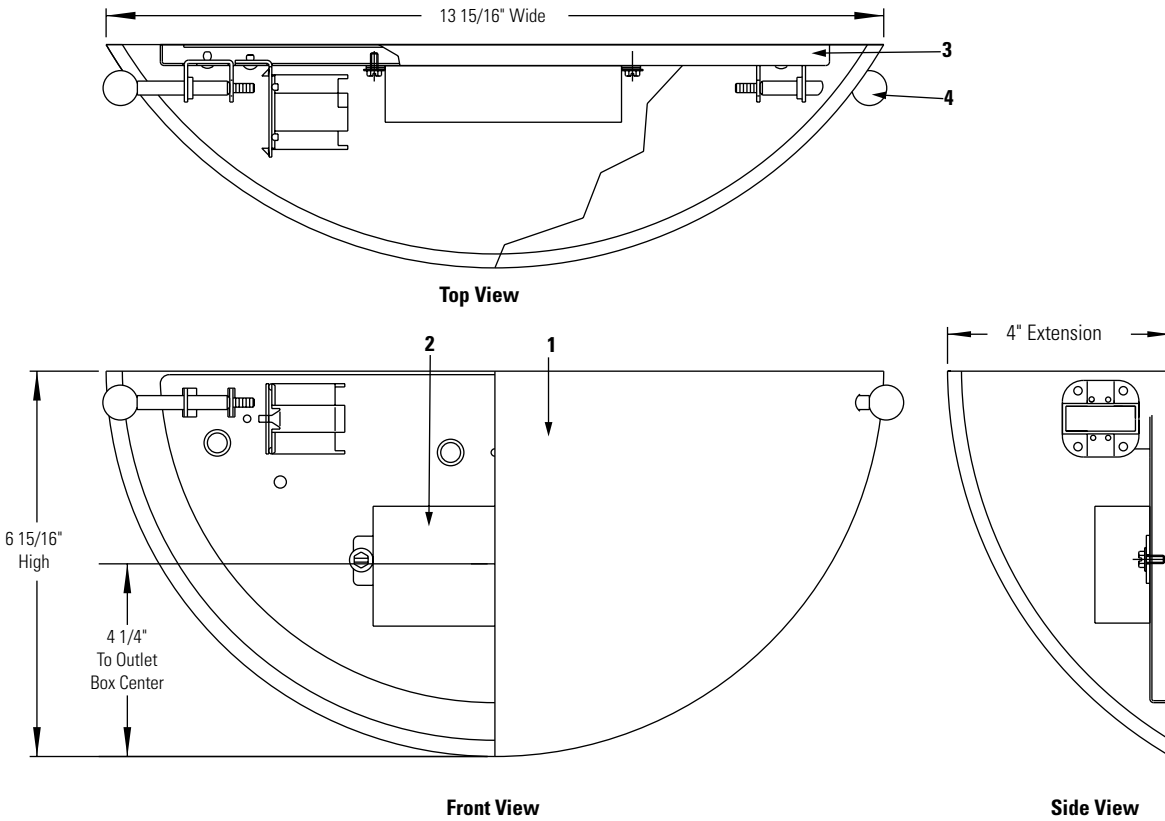




Decorative ADA Alabaster® Diffused Light 40624



Order Information

Cat. No.	Lamps	Width	Height	Extension	Ballast(s) Type	Input Voltage	Line Current	Input Watts
40624N1	(1) 26W Quad Tube	13 15/16"	6 15/16"	4"	1 - 1 Lt. NPF magnetic	120V	.50 (A)	28
40624H2	Compact Fluorescent (2-Pin)				1 - 1 Lt. HPF magnetic	277V	.10 (A)	27

Features

- 1. Diffuser:** White translucent alabaster. Removable by unscrewing two holder knobs.
- 2. Ballast:** Rated Class "P" thermally protected. See chart above for power factor options.
- 3. Backplate:** Die-formed 20 ga. steel, matte white finish.
- 4. Holder Knobs:** Turned brass, polished and clear lacquered.

Fixture conforms to Americans with Disabilities Act (ADA) Federal Regulations—Protruding Objects.

Mounting

Fixture is provided with a mounting plate suitable for direct mounting to most outlet boxes or directly to wall surface over an outlet box.

Electrical

Fixtures require minimum 90°C rated supply wire.

Finish

All painted surfaces, baked enamel.

Labels

UL listed suitable for damp locations, I.B.E.W.

Job Information	Type:
Job Name:	
Cat. No.:	
Lamp(s):	
Notes:	

Lightolier a Genlyte Thomas Company www.lightolier.com
 631 Airport Road, Fall River, MA 02720 • (508) 679-8131 • Fax (508) 674-4710
 We reserve the right to change details of design, materials and finish.
 © 2002 Genlyte Thomas Group LLC (Lightolier Division) • A0902

LIGHTOLIER®