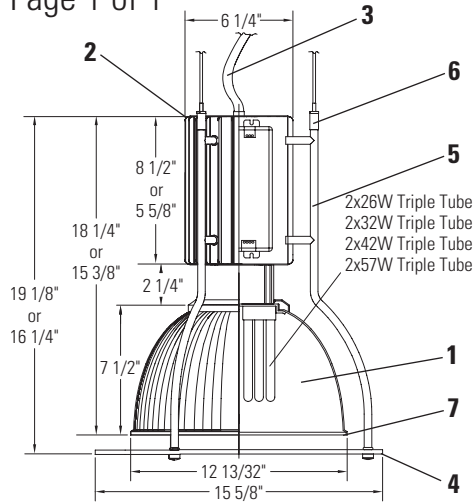
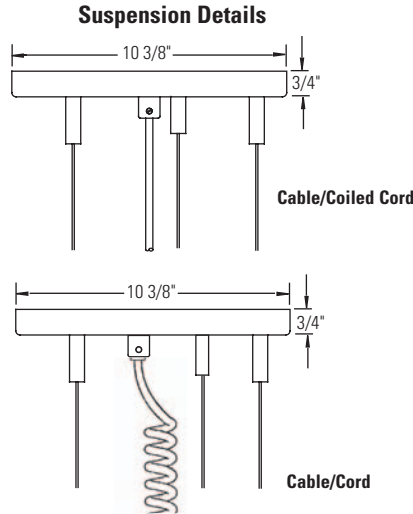




# Specification Decorative Pendalyte™ 404722XU3DK



† Larger dimensions apply to Dimming Fixtures.



U, U3	= Standard Ballast
UE3, UE3E	= Standard Ballast (347V)
U2MX1	= Mark X Dimming 26W, 120V*
U2MX2	= Mark X Dimming 26W, 277V*
U4MX1	= Mark X Dimming 32/42W, 120V*
U4MX2	= Mark X Dimming 32/42W, 277V*
UMX1	= Mark X Dimming 57W, 120V*
UMX2	= Mark X Dimming 57W, 277V*

\* 2-Wire, Neutral Connection required at Dimming Control

Complete fixture consists of Reflector, Power Head, Deco Kit, Deco Disk and Suspension. Select each separately.

Reflector/Refractor		Power Head			
Cat. No.	Description	Lamp	Watts	Volts	Options
40421	Anodized Reflector Semi Specular	404722X	CFL Triple Tube	2x26/32/42	120/277 U3, U3E3, U2MX1, U2MX2, U4MX1, U4MX2
40422*	Acrylic Refractor	4047257X	CFL Triple Tube	2x57	120/277 U, UE3, UMX1, UMX2

\*Not compatible with 2x57W

Reflector/Refractor Options			Suspension			Deco Kits*		Deco Disks	
Cat. No.	Description	Use With	Cat. No.	Color	Description	Cat. No.	Description	Cat. No.	Description
421G	Industrex® Glass Lens	40421	404EXT300*	Grey	25' Ext. Cable/Cord Kit	412DK	Deco Cable Assembly	412DG	Glass Deco Disk
422A	Flat Acrylic Lens	40422	404EXTB*	Black	25' Ext. Cable/Cord Kit	412LDK	Deco Cable Assembly (dimming units only)	412DA	Acrylic Deco Disk
422G	Industrex® Glass Lens	40422	404SG5**	Grey	120" 5-wire Straight Cord			412PM	Perforated Metal Deco Disk
			404SB5**	Black	120" 5-wire Straight Cord				
			404EXT300G5**	Grey	5-wire, 25' Cord/Cable				
			404EXT300B5**	Black	5-wire, 25' Cord/Cable				

\* Use with Standard Cord or Deco Suspension Kit  
\*\* DALI requires a 5-wire suspension

\*includes Arms & Suspension System (120")

## Features

- Refractor/Reflector:** Injection Molded Acrylic, UV Stabilized. Semi-specular High purity Anodised Aluminum, 16 gauge iridescence-free.
- Power Head Housing:** Two-piece extruded aluminum. Removable door allows for ease of installation and servicing. Dark Grey textured powder coat finish.
- Suspension:**  
Cable/Cord: 1/16" Stainless Steel/SJT 18-3, Grey. Grey Canopy.  
Cable/Coiled Cord: 1/16" Stainless Steel/SJT 18-3, Grey. Grey Canopy.
- Aperture Disk:** Glass, Acrylic or Perforated Metal, see spec sheet 412DK.
- Support Arms:** (3) 3/8" dia. steel tubing brushed and clear lacquered.
- Adjustment:** (3) fittings allow for height and leveling adjustment after installation.
- Shielding Options:** Industrex® glass lens or clear acrylic lens.  
Note: See specification sheet 412DK for more information on suspension, Disks & Support Arms

## Lamping (by others)

### Compact Fluorescent:

	General Electric	Osram/Sylvania	Phillips
(2) 26W Triple Tube 4-Pin (Amalgam) Compact Fluorescent Lamp	F26TBX*/A/4P	CF26DT/E/IN/*	PL-T26W/*/4P
(2) 32W Triple Tube 4-Pin (Amalgam) Compact Fluorescent Lamp	F32TBX*/A/4P	CF32DT/E/IN/*	PL-T32W/*/4P
(2) 42W Triple Tube 4-Pin (Amalgam) Compact Fluorescent Lamp	F42TBX*/A/4P	CF42DT/E/IN/*	PL-T42W/*/4P
(2) 57W Triple Tube 4-Pin (Amalgam) Compact Fluorescent Lamp	F57QBX*/A/4P/EOL	CF57DT/E/IN/*	N/A

\*Manufacturers' color temperature designation.

## Electrical

**Lampholders — Compact Fluorescent:** 4-Pin, 26/32 watt base: GX24q-3; 42 watt base: GX24q-4 57 watt base: GX24Q-5

**Ballasts:** Fluorescent: Electronic

	2x26	Watt	2x32	Watt	2x42	Watt	2x57	Watt
Voltage	120	277	120	277	120	277	120	277
Total Input Watts	-55	-55	-68	-68	-93	-93	129	129
Max. Line Current (Amps)	.46	.21	.57	.25	.78	.33	1.10	0.48

Power Factor > 0.98, Ballast Factor 0.98, THD < 10%, Minimum Starting Temperature 0°F.

## Labels

cULus listed suitable for damp locations.

Industrex® is a registered trademark of AFG Industries, Inc.

Job Information	Type:
<b>Job Name:</b>	
<b>Cat. No.:</b>	
<b>Lamp(s):</b>	
<b>Notes:</b>	

Lightolier a Genlyte company

www.lightolier.com

631 Airport Road, Fall River, MA 02720 • (508) 679-8131 • Fax (508) 674-4710

We reserve the right to change details of design, materials and finish.

© 2005 Genlyte Group LLC • 80605