

Catalog No.	Finish	Mounting	Lamp
37254WH 37254BK	Matte White Matte Black	ProSpec® 120V/277V track systems only. Not compatible with MonoPoint.	2x 54W T5 High Output (Fluorescent)

Features

- Ballast & Reflector Housing:** Aluminum with die-cast endcaps.
- Ballast:** 54w electronic.
- Flood Reflector:** Aluminum, with highly reflective and semispecular finish for a smooth wash of light.
- Louver:** Aluminum, for glare control, with captive locking springs for easy installation and removal.
- Vertical Pivot:** Die cast rotation housing with positive rotation stop provides 0° (NADIR) –130° vertical rotation in both directions.
- Sockets:** 600v rated mini bi-pin sockets with 90° rotor lock to engage contacts and retain with a positive detent.
- Socket Bracket:** Adjustable steel, mounting bracket slides out for easy lamping.
- Attachment Fitting:** Molded polycarbonate; pin rotates fitting into track to engage luminaire
- Track Adapter Arm:** Die-cast aluminum with integral polarity keyguard.

Electrical

Class P T5HO Universal Voltage Electronic Ballast

Input Voltage: 120V/277V

Sound Rated: A

Power Factor: >97%

Minimum Start Temp: 0°F

Input Power: 121W/118W

Do Not Use On Dimming Circuit

Max Input Current: 1.0A @ 120V/0.43A @ 277V

Finish

All painted finishes are baked enamel.

Labels

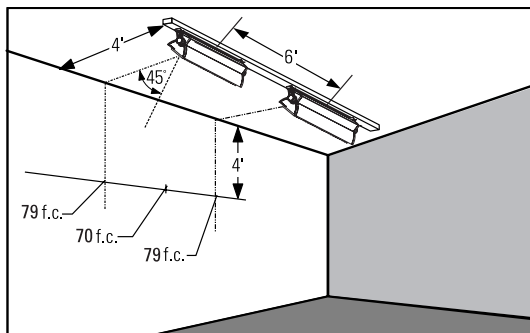
UL, c.U.L.

Advent® is a registered trademark of Lightolier.

Job Information	Type:
Job Name:	
Cat. No.:	
Lamp(s):	
Notes:	

Lighting Data 2-54W T5 High Output

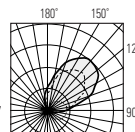
Footcandles on wall:



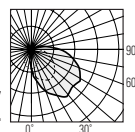
EXAMPLE: With track located 4' from wall and multiple units spaced 6' on center and aimed 45° from horizontal, the illumination on wall 4' from ceiling will be 79 f.c. beneath units and 70 f.c. between units.

Lamp Information:
 2 X 54W T5 High Output
 Mini Bi-Pin Fluorescent (9476)
 1 x 54W T5 High Output
 Mini Bi Pin Fluorescent (9477)

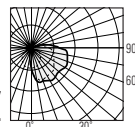
Two Lamps, without louver,
aimed 45° up.



Two Lamps, with louver,
aimed 45° down.



One Lamp, with louver,
aimed 45° down.



Footcandles on Wall

Track 3 Feet From Wall

Single Unit

Distance From Ceiling	0' 1' 2' 3' 4' 5'					
	Beam Center					
1'	198	176	118	60	28	14
2'	158	142	90	52	24	10
3'	103	94	69	41	22	10
4'	68	63	49	33	20	12
5'	40	38	30	22	14	8
6'	26	25	21	16	12	8
7'	17	16	14	11	8	6
8'	11	11	10	8	6	5
9'	8	8	7	6	5	4

Multiple Units

4'	5'	6'
263 258 263	231 184 231	218 127 218
209 206 209	180 150 180	168 106 168
149 148 149	124 112 124	112 84 112
116 116 116	97 92 97	87 74 87
71 71 71	57 55 57	49 44 49
56 56 56	47 46 47	41 38 41
38 38 38	31 31 31	27 26 27
27 27 27	22 22 22	19 18 19
22 22 22	18 18 18	16 15 16

Track 4 Feet From Wall

Single Unit

Distance From Ceiling	0' 1' 2' 3' 4' 5'					
	Beam Center					
1'	113	101	71	39	17	6
2'	114	104	77	47	25	12
3'	87	80	62	40	24	13
4'	63	59	47	34	22	13
5'	46	44	36	27	19	13
6'	31	30	25	20	14	10
7'	22	21	18	15	11	8
8'	16	15	13	11	9	7
9'	11	11	10	8	7	6

Multiple Units

4'	5'	6'
145 143 145	123 106 123	114 76 114
164 163 164	136 123 136	123 92 123
136 135 136	110 103 110	97 79 97
112 112 112	91 88 91	79 70 79
93 93 93	77 75 77	66 62 66
66 66 66	54 53 54	46 43 46
50 50 50	41 40 41	35 34 35
41 42 42	35 34 35	30 29 30
31 32 32	26 26 26	23 22 23

Track 5 Feet From Wall

Single Unit

Distance From Ceiling	0' 1' 2' 3' 4' 5'					
	Beam Center					
1'	81	75	59	40	25	15
2'	83	77	61	42	27	16
3'	75	70	57	41	28	18
4'	55	52	43	32	23	15
5'	42	40	34	27	19	14
6'	33	31	27	22	17	12
7'	25	24	21	17	14	11
8'	18	17	15	13	10	8
9'	13	13	12	10	9	7

Multiple Units

4'	5'	6'
140 139 140	115 109 115	102 86 102
147 147 147	121 116 121	107 93 107
143 143 143	118 115 118	104 94 104
109 109 109	89 87 89	76 71 76
89 89 89	73 71 73	62 59 62
76 76 76	62 61 62	53 51 53
62 62 62	51 50 51	44 42 44
46 46 46	37 37 38	32 31 32
39 39 39	32 32 32	27 27 27

Footcandles are average and rounded off and data for multiple units are based on a minimum of five units.

Job Information	Type:
------------------------	--------------