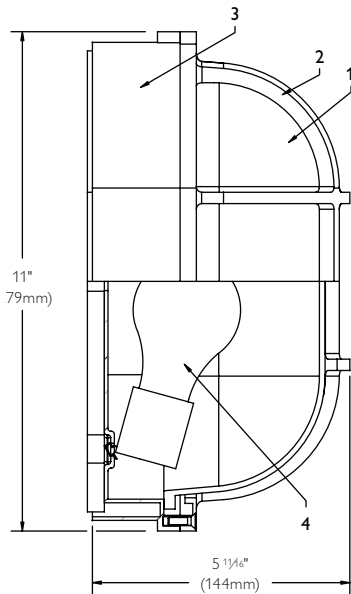
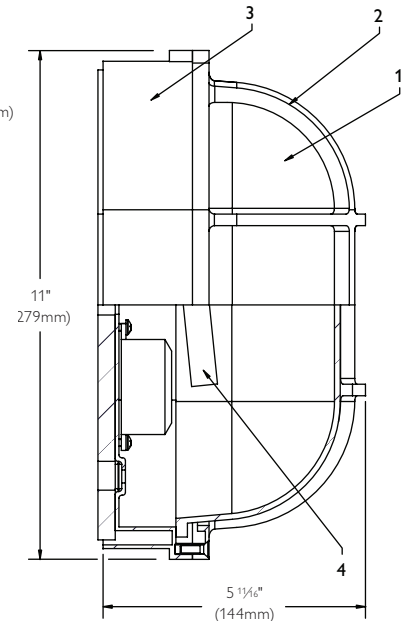
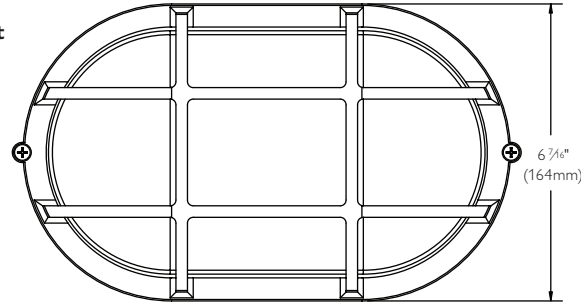


## Decorative Bristol, Indoor/Outdoor

**Wall Mounted  
Compact Fluorescent/Incandescent**



Incandescent Model



Twin Tube Model

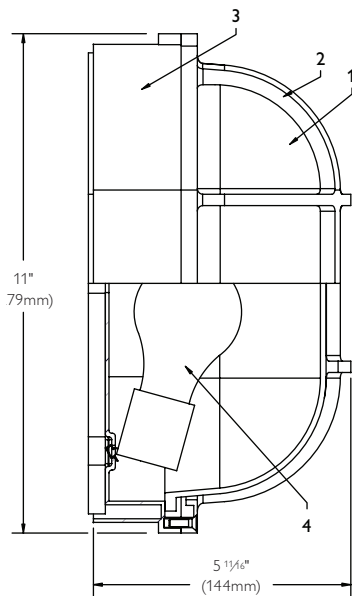
**Order Information:**

Catalog Number	Height	Width	Extension	Finish	Voltage	Lamps (by others)	
3652WH	11"	6 7/16"	5 11/16"	White	120V	(1) 100W A19 MAX	<b>General Electric</b> F9BX/SPX/*
3651BZ				Bronze			
3660BK				Black			
3622WH	11"	6 7/16"	5 11/16"	White	120V	(2) 7W or 9W Twin 2-pin (G23 base)	<b>Osram/Sylvania</b> CF90S/*
3621BZ				Bronze			
3610BK				Black			

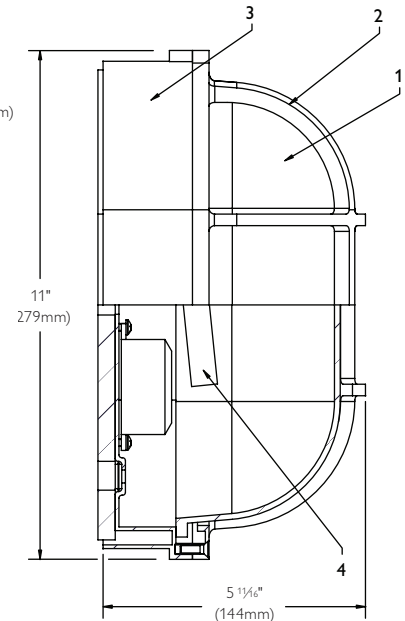
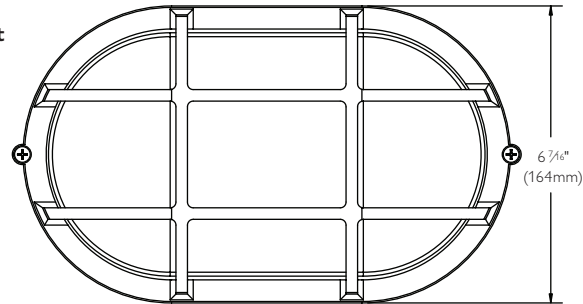
Job Information	Type:
Job Name:	
Cat. No.:	
Notes:	

## Decorative Bristol, Indoor/Outdoor

### Wall Mounted Compact Fluorescent/Incandescent



Incandescent Model



Twin Tube Model

### Features

1. **Diffuser:** Pressed ceramic coated glass.
2. **Diffuser Housing:** Die-cast aluminum guard.
3. **Backplate:** 11 ga. aluminum.
4. **Lamp:** See Lamps.
5. **Ballast:** See Electrical/Ballast.

### Mounting

Wall Mount to standard 4" octagonal outlet box.  
Can be mounted in a vertical or horizontal position on a wall.

### Labels

UL Listed. Suitable for wet locations.

### Electrical/Ballast

	9W NPF 120V
<b>Total Input Watts</b>	20
<b>Max. Line Current (amps)</b>	.36
<b>Ballast Factor</b>	.90
<b>THD</b>	<20%
<b>Min. Starting Temps.</b>	-4°C (-25°F)



Philips Lightolier  
e: lol.webmaster@philips.com  
t: (508) 679-8131  
w: www.lightolier.com

3652.indd February 27, 2012

Specifications are subject to change without notice.  
© Koninklijke Philips Electronics N.V., 2012. All rights reserved.

<b>Job Information</b>	<b>Type:</b>
------------------------	--------------