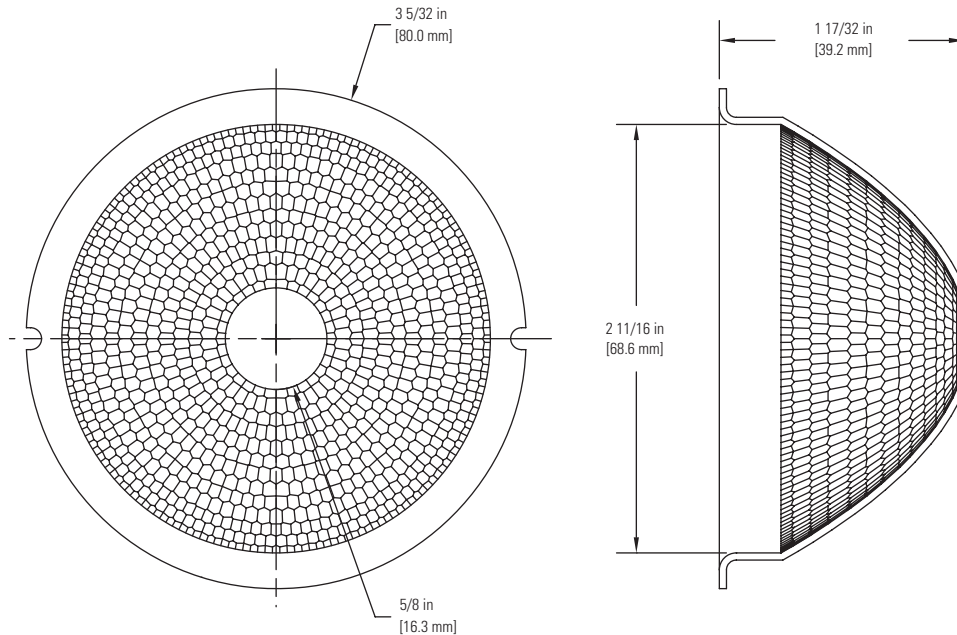


24MHT45RS

Lytespan, Mini HID T4.5 Spot Reflector

Page 1 of 2



Ordering Information

Catalog No.	Finish	Lamps	For Use With Luminaires
24MHT45RNF	Anodized	T4.5	8114, 8115
24MHT45RNFCCZ	Champagne Bronze		
24MHT45RNFWRM	Incandescent Warm		

Features

- Spot reflector:** Aluminum, faceted, specular, anodized and sealed.

Finish

Specular anodized and sealed.

Labels

UL, cUL

Job Information	Type:
Job Name:	
Cat. No.:	
Notes:	

PHILIPS
LIGHTOLIER

24MHT45RS

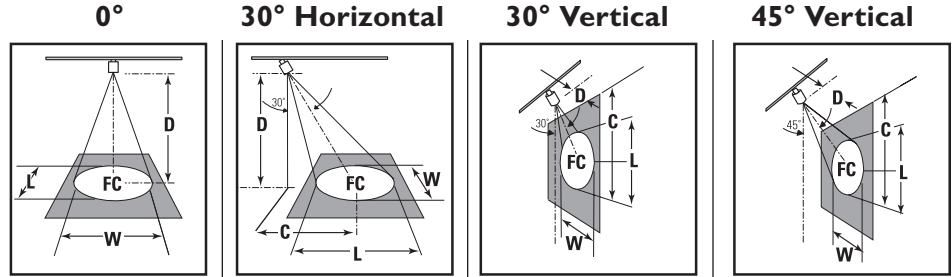
Lytespan, Mini HID T4.5 Spot Reflector

Aiming angle:

L Beam length **D** Distance
W Beam Width **A** Aiming Angle
C Distance to center beam **FC** Footcandles

L and **W** are the outer points where the candle power drops to 50% of the maximum. **FC** are the initial footcandles at the center of the beam. Lamp data shown is typical. Consult lamp manufacturers for availability and performance.

CBCP = Center Beam Candle Power.



Lamp	Beam Spread (To 50% CBCP)	CBCP	Rated Life (Hrs.)	0°				30° Horizontal				30° Vertical				45° Vertical						
				D	FC	L	W	D	C	FC	L	W	D	C	FC	L	W	D	C	FC	L	W
 24MHT45RS 39W T4.5 8114	 9°	29706	10000	14	152	2.2	2.2	12	6.9	134	2.5	2.2	4	6.9	232	2.6	1.3	6	6.0	292	1.9	1.3
				16	116	2.5	2.5	14	8.1	98	2.9	2.5	5	8.7	149	3.2	1.6	7	7.0	214	2.2	1.6
				18	92	2.8	2.8	16	9.2	75	3.4	2.9	6	10.4	103	3.8	1.9	8	8.0	164	2.5	1.8
				20	74	3.1	3.1	18	10.4	60	3.8	3.3	7	12.1	76	4.5	2.2	9	9.0	130	2.9	2.0
 24MHT45RS 70W T4.5 8115	 9°	56441	10000	16	220	2.5	2.5	14	8.1	187	2.9	2.5	6	10.4	196	3.8	1.9	8	8.0	312	2.5	1.8
				18	174	2.8	2.8	16	9.2	143	3.4	2.9	7	12.1	144	4.5	2.2	10	10.0	200	3.2	2.2
				20	141	3.1	3.1	18	10.4	113	3.8	3.3	8	13.9	110	5.1	2.5	12	12.0	139	3.8	2.7
				22	117	3.5	3.5	20	11.5	92	4.2	3.6	9	15.6	87	5.8	2.8	14	14.0	102	4.4	3.1

Note: For Champagne Bronze (CCZ), multiply FC values by 0.64.
 For Incandescent Warm (WRM), multiply FC values by 0.85



Philips Lightolier
 e: lol.webmaster@philips.com
 t: (508) 679-8131
 w: www.lightolier.com

24MHT45RS January 20, 2011

Specifications are subject to change without notice.
 © Koninklijke Philips Electronics N.V., 2010. All rights reserved.

Job Information Type: