

Ordering Information

Catalog No.	Finish	Mounting	Lamps
23F70T6AL 23F70T6BK 23F70T6WH	Aluminum Black White	For use with Lytespan Radius, Basic and Advent Track. Not compatible with extension wands or slope ceiling adapters. For monopoint applications refer to spec sheet 6173.	70W T6 G12 Base Ceramic Metal Halide

Features

- Track Attachment Fitting:** Locking lever for mechanical/electrical connection.
- Brass Contact:** Extends for connection to second circuit (Advent track only).
- Horizontal Pivot:** Wireless stem profile with 365° horizontal rotation. Position may be locked using an allen key.
- Vertical Pivot:** 0-180° vertical adjustment with aiming indicator. Position may be locked using an allen key.
- Fixture Housing:** Die cast aluminum
- Ballast Housing:** Die cast aluminum
- Lamp Cartridge:** Allows easy side relamping without removal of glass shield.
- Safety Lens:** Tempered 1/8" glass. Meets or exceeds UL safety requirement for metal halide lamps.
- On/Off Switch:** Rocker switch to disconnect power to the ballast.
- Safety Locking Lever:** Locks ballast housing to track.

Finish

All Painted finishes are baked enamel.

Accessories

None

Electrical

Electronic Ballast
 Input Voltage: 120V
 Power Factor: High
 Input Power: 77W
 Max. Input Current: 0.64A
 ANSI Code: M139, M143, M98
 Do not use on dimming circuit.

Labels

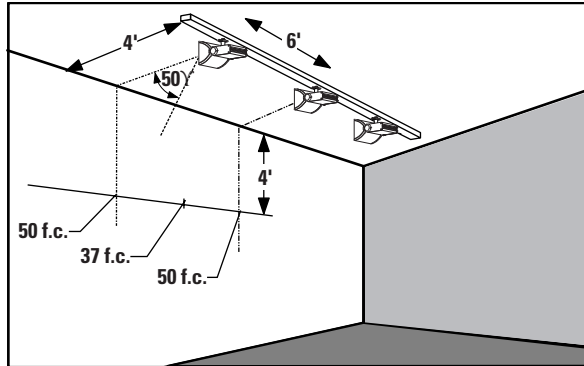
UL, cUL

Job Information	Type:
Job Name:	
Cat. No.:	
Lamp(s):	
Notes:	

631 Airport Road, Fall River, MA 02720 • (508) 679-8131 • Fax (508) 674-4710
 We reserve the right to change details of design, materials and finish.
 www.lightolier.com © 2008 Philips Group • C0308

Lighting Data

Footcandles on wall:



Lamp Information:

70W CDM T6 Single Ended Metal Halide.
 Initial Lumens: 6600
 CRI: 82
 Rated Avg. life: 9,000 - 15,000 hrs.
 For 39W Multiply by 0.5.

EXAMPLE: With track located 4' from wall and multiple units spaced 8' on center and aimed 50° from horizontal, the illumination on wall 4' from ceiling will be 50.c. beneath units and 37 f.c. between units.

Footcandles on Wall

Track 3 Feet From Wall		Single Unit						Multiple Units								
		0'	1'	2'	3'	4'	5'									
Distance From Ceiling		□ Beam Center														
	1'	153	129	70	30	13	6	104	150	184	169	98	169	163	63	163
	2'	127	111	73	38	16	6	159	149	159	139	109	139	132	76	132
	3'	85	76	56	34	17	7	120	118	120	99	91	99	90	69	91
	4'	57	51	40	28	16	9	93	90	93	76	73	76	67	59	68
	5'	39	35	20	21	13	8	67	65	67	54	52	54	47	42	47
	6'	26	25	20	16	11	7	53	52	53	43	41	43	37	35	37
	7'	17	16	14	11	9	6	39	38	39	31	31	31	27	26	27
	8'	12	11	10	8	7	5	29	29	29	23	23	23	20	20	20
	9'	8	8	7	6	5	4	23	23	23	19	19	19	16	16	16

Track 4 Feet From Wall		Single Unit						Multiple Units								
		0'	1'	2'	3'	4'	5'									
Distance From Ceiling		□ Beam Center														
	1'	72	67	46	24	9	3	77	57	77	76	23	76	75	7	75
	2'	84	76	56	36	19	9	91	72	91	87	37	87	86	15	86
	3'	65	61	48	34	21	11	74	69	74	67	41	67	66	21	66
	4'	48	45	38	29	19	12	60	57	60	50	37	50	49	22	49
	5'	35	33	28	23	17	11	47	45	47	38	32	38	36	21	36
	6'	26	25	21	18	14	10	38	36	38	31	26	31	28	19	28
	7'	20	19	17	14	11	8	31	28	31	24	21	24	21	16	21
	8'	15	14	13	11	9	7	24	22	24	19	17	19	16	13	16
	9'	11	11	10	9	7	6	19	18	19	15	14	15	13	11	13

Footcandles are average and rounded off and data for multiple units are based on a minimum of five units.

For 39W: Multiply values by 0.5 Rated Lamp Life 9,000 - 12,000 Hrs.

Job Information Type:

631 Airport Road, Fall River, MA 02720 • (508) 679-8131 • Fax (508) 674-4710
 We reserve the right to change details of design, materials and finish.
 www.lightolier.com © 2008 Philips Group • C0308