

Ordering Information

Catalog No.	Finish	Mounting	Lamps
22MW6ALCE	Metallic Aluminum	Advent CE Track System	12v MR16 Type Lamp 50W Max. or IR 37W Max. Recommended Lamp Beam Spread: 25° - 40° Optimal Lamp Beam Spread: 36°

Features

- Transformer:** Class two 220v-240v 50/60Hz electronic transformer for 12v halogen lamps
- Track Attachment Fitting:** Molded polycarbonate; rotates into track
- Brass Contact:** Extends for connection to second circuit (Advent Lytespan track only)
- Horizontal Pivot:** Wireless stem profile with infinite horizontal rotation
- Vertical Pivot:** 0-90° vertical adjustment
- Socket:** Bi-pin multipoint contact low voltage halogen socket
- Housing:** Die cast aluminum
- Front Cartridge:** Hinged and captive.
- Beam Elongator Lens:** Fixed to ensure proper alignment. Meets UL standards for use with unshielded lamps
- Contact Guard:** Molded polycarbonate; prevents access to energized contacts.

Finish

All Painted finishes are baked enamel.

Dimming

Use only dimmers specifically designed for use with electronic transformers. Low voltage fixtures may produce audible sound when dimmed.

Accessories

- Accessory Holder:** None
- Accessories:** None
- Lens:** None
- Louwer:** None
- Snoot Accessory:** None

Labels

CE

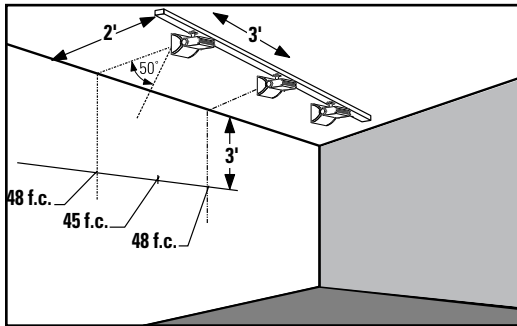
Job Information	Type:
Job Name:	
Cat. No.:	
Lamp(s):	
Notes:	

Lightolier a Genlyte company www.lightolier.com
 631 Airport Road, Fall River, MA 02720 • (508) 679-8131 • Fax (508) 674-4710
 We reserve the right to change details of design, materials and finish.
 © 2007 Genlyte Group LLC • A1007



Lighting Data

Footcandles on wall:



Lamp Information:

50W MR16 36° Flood
Lumens: 850
Rated Avg. life: 3,000 hrs.

EXAMPLE: With track located 2' from wall and multiple units spaced 3' on center and aimed 50° from horizontal, the illumination on wall 3' from ceiling will be 48 f.c. beneath units and 45 f.c. between units.

Footcandles on Wall

Track 2 Feet From Wall		Single Unit					Multiple Units								
		0'	1'	2'	3'	4'									
Distance From Ceiling		Beam Center													
1'	50°	15	4	7	1	0	11	9	11	7	7	7	4	7	4
2'		78	46	14	2	0	48	42	48	28	31	28	22	27	22
3'		29	19	9	3	1	69	67	69	48	45	48	39	32	39
4'		9	6	3	1	0	41	41	41	30	28	30	23	20	23
5'		3	2	2	1	0	19	19	19	14	13	14	11	10	11
6'		1	1	1	0	0	9	9	9	7	7	7	5	5	5
7'		1	0	0	0	0	5	5	5	4	4	4	3	3	3
8'		0	0	0	0	0	3	3	3	2	2	2	2	2	2

Track 3 Feet From Wall		Single Unit					Multiple Units								
		0'	1'	2'	3'	4'									
Distance From Ceiling		Beam Center													
1'	50°	4	3	3	1	0	7	7	7	4	7	4	4	5	4
2'		20	17	13	4	1	28	31	28	22	27	22	21	17	21
3'		36	26	15	6	2	48	45	48	39	32	39	37	22	37
4'		19	15	10	5	2	30	28	30	23	20	23	20	16	20
5'		8	6	4	3	1	14	13	14	11	10	11	9	7	9
6'		4	3	2	1	1	7	7	7	5	5	5	5	4	5
7'		2	2	1	1	0	4	4	4	3	3	3	3	2	3
8'		1	1	1	1	0	2	2	2	2	2	2	1	1	1

Job Information	Type:
------------------------	--------------

Lightolier a Genlyte company www.lightolier.com
 631 Airport Road, Fall River, MA 02720 • (508) 679-8131 • Fax (508) 674-4710
 We reserve the right to change details of design, materials and finish.
 © 2007 Genlyte Group LLC • A1007