

### Ordering Information

Catalog No.	Finish	Mounting	Lamps
22MW4CALCE	Metallic Aluminum	Advent CE Track System	12V 50W Max. T4 or QT 12 2-pin GY6.35 base lamp. (Clear Only) Use Philips or Sylvania lamps only, must be 1 3/4" MOL. Transverse or C-6 filament recommended.

### Features

- Transformer:** Class two 220v-240v 50/60Hz electronic transformer for 12v halogen lamps
- Track Attachment Fitting:** Molded polycarbonate; rotates into track
- Brass Contact:** Extends for connection to second circuit (Advent Lytespan track only)
- Horizontal Pivot:** Wireless stem profile with infinite horizontal rotation
- Vertical Pivot:** 0-90° vertical adjustment
- Socket:** Bi-pin multipoint contact low voltage halogen socket
- Housing:** Die cast aluminum
- Smoothing Lens:** Meets UL standards for use with unshielded lamps
- Glass Shield:** Integral; For use with unshielded lamps
- Contact Guard:** Molded polycarbonate; prevents access to energized contacts.

### Finish

All Painted finishes are baked enamel.

### Dimming

Use only dimmers specifically designed for use with electronic transformers. Low voltage fixtures may produce audible sound when dimmed.

### Accessories

- Accessory Holder:** None
- Accessories:** None
- Lens:** None
- Louwer:** None
- Snoot Accessory:** None

### Labels

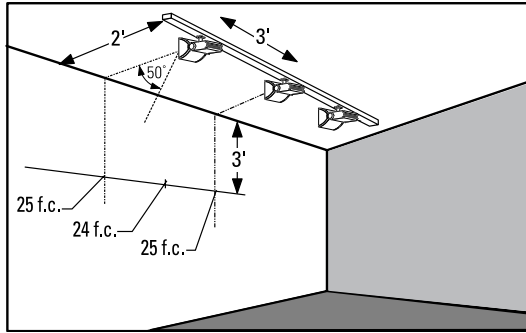
CE

Job Information	Type:
<b>Job Name:</b>	
<b>Cat. No.:</b>	
<b>Lamp(s):</b>	
<b>Notes:</b>	

631 Airport Road, Fall River, MA 02720 • (508) 679-8131 • Fax (508) 674-4710  
 We reserve the right to change details of design, materials and finish.  
 www.lightolier.com © 2008 Philips Group • B0308

### Lighting Data

#### Footcandles on wall:



#### Lamp Information:

50W 12V T4  
Lumens: 950  
Rated Avg. life: 2,000 hrs.

**EXAMPLE:** With track located 2' from wall and multiple units spaced 3' on center and aimed 50° from horizontal, the illumination on wall 3' from ceiling will be 25 f.c. beneath units and 24 f.c. between units.

### Footcandles on Wall

#### Track 2 Feet From Wall

#### Single Unit

Distance From Ceiling	Beam Center				
	0'	1'	2'	3'	4'
1'	51	36	7	1	1
2'	45	30	12	2	1
3'	19	15	9	3	1
4'	8	7	5	3	1
5'	4	4	3	2	1
6'	2	2	2	2	1
7'	1	1	1	1	1
8'	1	1	1	1	1

#### Multiple Units

2' Spacing			3' Spacing			4' Spacing		
71	78	70	58	45	58	56	15	56
72	67	71	52	44	52	49	24	49
38	35	37	25	24	25	20	18	20
20	18	19	13	13	13	10	10	10
12	11	11	8	8	8	6	6	6
8	8	7	6	5	6	4	4	4
5	5	5	4	4	4	3	3	3
4	4	3	3	3	3	2	2	2

#### Track 3 Feet From Wall

#### Single Unit

Distance From Ceiling	Beam Center				
	0'	1'	2'	3'	4'
1'	23	21	11	3	1
2'	23	17	11	4	1
3'	20	16	11	5	2
4'	12	10	8	5	2
5'	6	5	4	3	2
6'	3	3	3	2	2
7'	2	2	2	2	1
8'	1	1	1	1	1

#### Multiple Units

3' Spacing			4' Spacing			5' Spacing		
28	33	28	24	23	24	23	14	23
31	31	31	25	22	25	23	16	23
32	30	32	24	23	24	22	17	22
22	21	23	17	16	17	14	13	14
13	13	14	10	10	10	8	8	8
9	8	9	7	6	7	5	5	5
6	6	6	5	5	5	4	4	4
4	5	4	4	4	4	3	3	3

#### Job Information

#### Type:

631 Airport Road, Fall River, MA 02720 • (508) 679-8131 • Fax (508) 674-4710  
We reserve the right to change details of design, materials and finish.  
www.lightolier.com © 2008 Philips Group • B0308