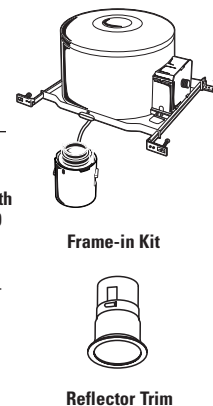
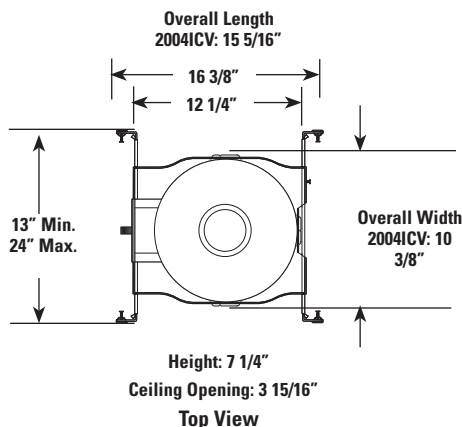
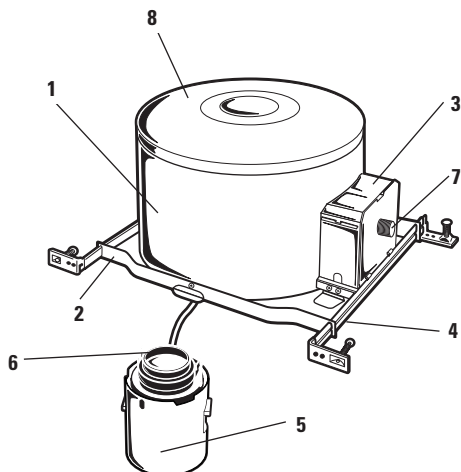


Lytecaster® Recessed Downlighting **2004VLCE1**



3 3/4" Aperture: Complete Fixture consists of Reflector Trim & Frame-In Kit. Select each separately.

Frame-In Kit	Reflector Trims — See Individual Reflector Trim Specification Sheets							
	Adjustable							
	Specular Cone	Satin Cone	Baffles	Slot	Pinhole	Mini Swivels	Eyeball	Enclosed Diffusers
2004VLCE1	2012 2013 2013BK 2013CD 2013WH	2008 2010	2005 2005WH	2006	2011	2025WH	2022LV	2026WH

Features

- 1. Housing:** .032" (#20 ga.) aluminum. Access door for inspection of junction box.
- 2. Mounting Frame:** .032 (#20 ga.) aluminum. Accommodates ceilings up to 1" thick. 3/8" deep integral lip. Locks into position along length of mounting bars with locking screw and bendable slot. Four slots are positioned 90° apart to simplify alignment. Push-in/twist-out roto-clips hold reflector flush to ceiling.
- 3. Junction Box:** 4" X 4" X 1 1/2"; .074" (#14 ga.) galvanized steel. UL listed for maximum of 8 (#12 ga.) 90°C through branch circuit conductors. Plenum approved.
- 4. Mounting Bars:** .059" (#16 ga.) galvanized steel. Bars pivot for easy attachment and wire-in below ceiling line. Bars extend to accommodate 16" to 24" O.C. joist spacing. Bars can accommodate 12" O.C joist spacing after a slight field modification (see Instruction Sheet). Features integral self tapping phillips screws for secure attachment to wood or metal construction. Attaches to T-bar ceilings without the need of accessories.
- 5. Socket Housing:** Impact extruded aluminum, with lamp adjustment assembly allows 35° max. vertical, 358° horizontal adjustment.
- 6. Socket:** Field replaceable. Two pin socket, pre-wired with #18 SF1 leads to junction box.
- 7. Thermal Protector:** Meets NEC and UL requirements.
- 8. Transformer:** Mounted inside housing, electronic. 120V primary, nominal 12V secondary. Removable from below.

Dimming

Dimming Controls: Low voltage luminaries should be dimmed only with appropriate LV, VA or QE (electronic specific) dimmers.

Options & Accessories

- Extra-Thick Ceiling** **1967C** - 1" to 2" thick ceilings.
- Mounting Ring:**
- MR 16 Socket Replacement:** **1975B**
- Socket for General Electric Turn and Lock (TAL) MR16 Lamp:** **1975TAL**

Labels

UL (Type Non I.C., Suitable for Damp Location), I.B.E.W.

Romex® is a registered trademark of General Cable Industries Inc.

Job Information	Type:
Job Name:	
Cat. No.:	
Lamp(s):	
Notes:	