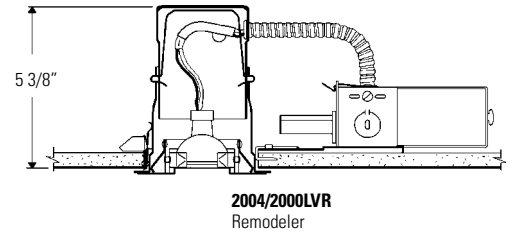
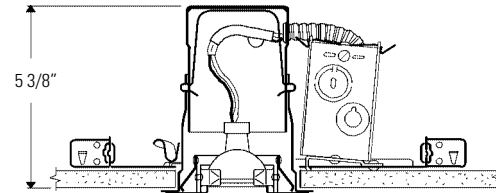


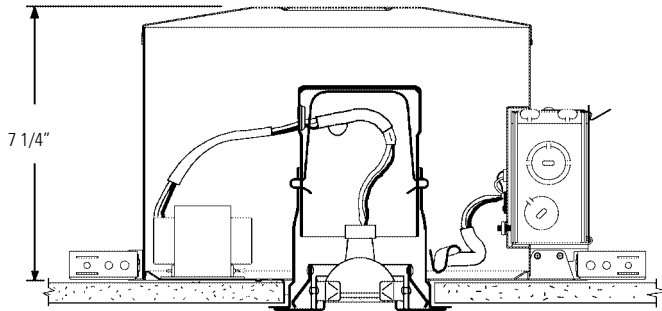
2004/2000LV Series
Standard MR16



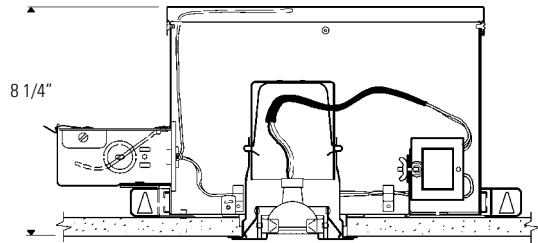
2004/2000LVR
Remodeler



2004/2000LVNT
Low Voltage Remote Transformer



2004/2000ICV/N
LyteAiring® AirSeal® Insulated Ceiling



2004/2000AICV
AirSeal® Insulated Ceiling

Complete Fixture consists of Reflector Trim & Frame-In Kit. Select each separately.

Reflector Trim		Frame-In Kit — See Individual Frame-In Kit Specification Sheets			
Round	Finish	Frame-In Kit	Installation Type	Lamping	Height
2004RWH	Matte White	2000LV 2000LVR 2004ICV/N 2000LVNT	Standard Non-IC Remodeler Non-IC LyteAiring IC Low Voltage	20-50 MR16	5 3/8" 5 3/8" 7 1/4" 5 3/8"

Features

- Housing:** Hydroformed aluminum, .040" thick (18 ga.).
- Swivel Housing:** Die-formed, 24 ga. steel. Provides 0° to 35° vertical adjustment; matte white or polished brass finish.
- Trim Flange:** Die-formed, aluminum 22 ga. cold rolled steel. Matte white or polished brass finish.
- Frame-In Kit:** (2000LV standard frame shown) Other frames shown on the right. See Frame-In Kit specification sheets for more details.

Options & Accessories

Retaining Clips: 1955 - For Installing in Existing Ceiling

Job Information	Type:
Job Name:	
Cat. No.:	
Lamp(s):	
Notes:	

Lightolier a Genlyte Thomas Company www.lightolier.com
 631 Airport Road, Fall River, MA 02720 • (508) 679-8131 • Fax (508) 674-4710
 We reserve the right to change details of design, materials and finish.
 © 2002 Genlyte Thomas Group LLC (Lightolier Division) • D0902

LIGHTOLIER®